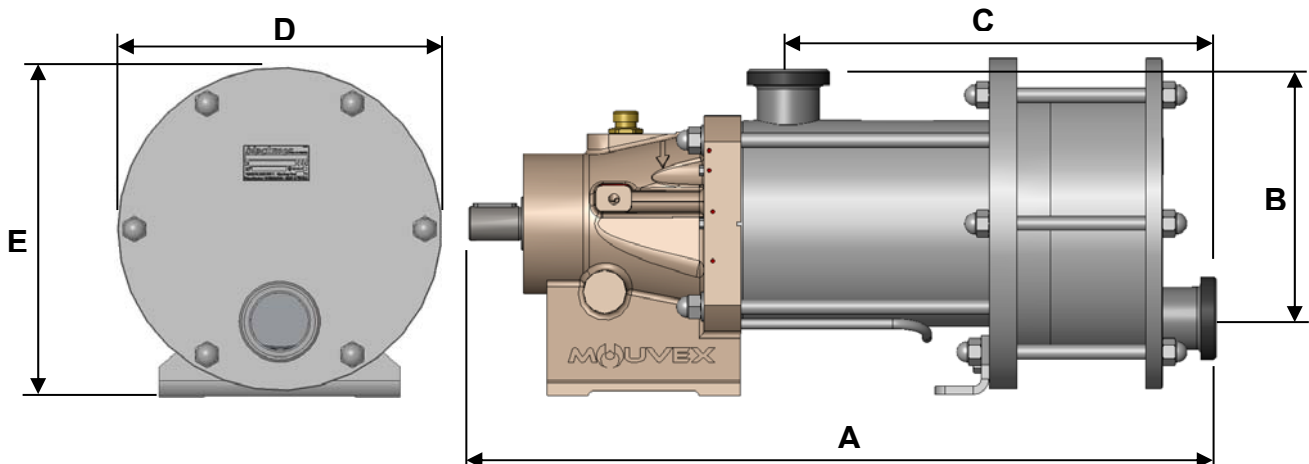


### CHARACTERISTICS

		STANDARD	AVAILABLE OPTIONS
<b>Technology</b>		Eccentric Disc Mouvex®	
<b>Maximum Flow rate at 1 cSt m<sup>3</sup>/h (GPM)</b>		SLS12i : 12 (52.83) SLS18i : 18 (79.25)	
<b>Displacement per revolution l (gal)</b>		SLS12i : 0,411 (0.109) SLS18i : 0,617 (0.163)	
<b>Inlet chamber volume L (gal)</b>		5.9 (1.559)	
<b>Outlet chamber volume L (gal)</b>		4.2 (1.11)	
<b>Ports</b>		DN65 SMS 1145	DN65 DIN 11851 DN65 DIN 11864 BF-A Aseptik fl. 2 ½" CLAMP ASME BPE-2009 DN65 CLAMP (ISO 2858)
<b>Pump heating</b>		None	Heating jacket
<b>Dimensions mm (in.) (With SMS connections)</b>	<b>A</b>	SLS12i : 768 (30.23) SLS18i : 788 (31.03)	
	<b>B</b>	253 (9.96)	
	<b>C</b>	SLS12i : 438 (17.25) SLS18i : 458 (18.03)	
	<b>D</b>	337 (13.27)	
	<b>E</b>	343.5 (13.52)	
<b>Weight kg (lbs)</b>		SLS12i : 116 (256) SLS18i : 122 (269)	

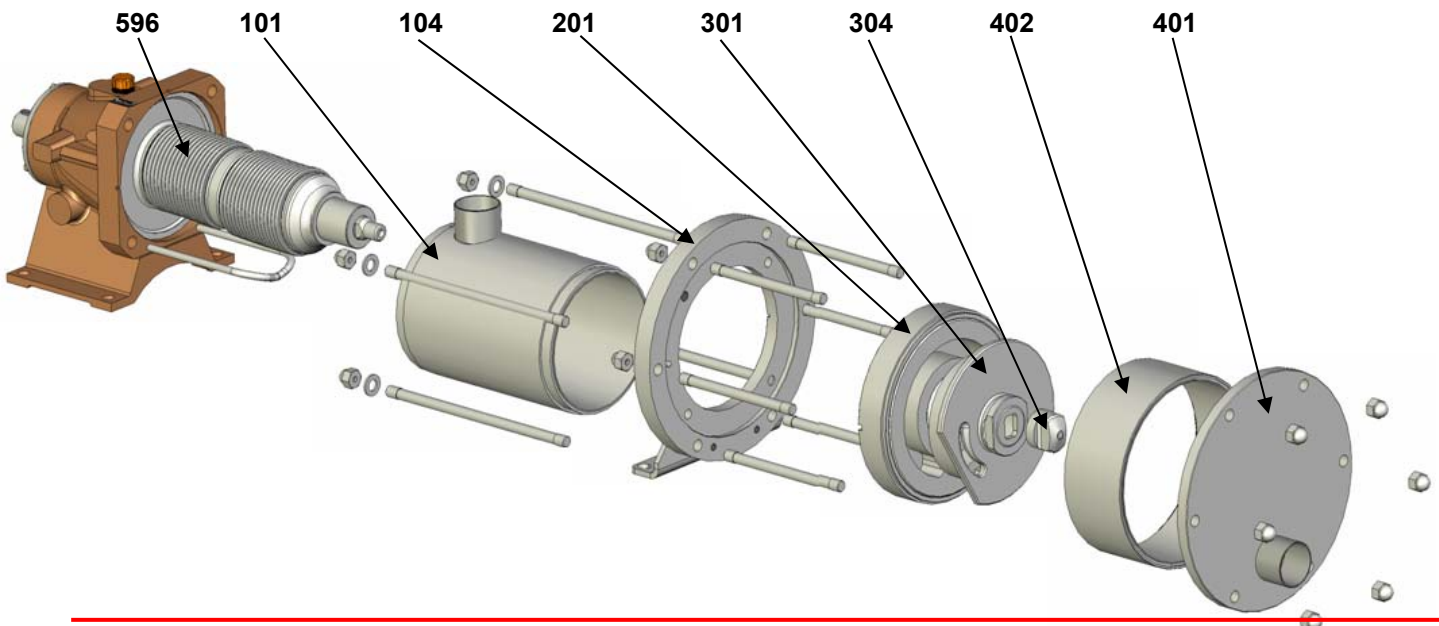


### OPERATING LIMITS

Minimum temperature °C (°F)	-15 (5)
Maximum temperature °C (°F)	Process: 100 (212) Washing/Rinsing/Sterilisation : 121 (250)
Maximum dynamic in-pump viscosity cP	10000
Maximum differential pressure bar (psi)	<b>SLS12i</b> : 9 (130) <b>SLS18i</b> : 6 (87)
Maximum inlet pressure barg (psig)	Process : 1.5 (21.7) Washing / Rinsing / Sterilisation : 3 (43.5) Pump stopped : 6 (87)
Maximum speed rpm	530
Maximum solid particle size (mm/in)	2 (0.079)
Maximum soft particle size (mm/in)	10 (0.394)

### MATERIALS OF CONSTRUCTION

Part No	PART NAME	STANDARD MATERIALS	AVAILABLE OPTIONS
101	Inlet Tube	316L Stainless Steel (low carbon)	
104	Inlet tube Bracket	316L Stainless Steel (low carbon)	
201	Cylinder	316L Stainless Steel (low carbon)	
301	Disc	CY5SnBiM (anti galling alloy)	
304	Disc Nut	316Ti Stainless Steel (Titanium Alloy)	
401	Outlet Cover	316L Stainless Steel (low carbon)	
402	Spacer tube	316L Stainless Steel (low carbon)	
	Bolts	630 Stainless Steel	
596	<b>Transmission Assembly</b>		
	Bearings	Ball / Roller / Needle	
	Double Bellows Assembly	316Ti & 316 L Stainless Fabrication	
	Housing	Nickel plated ductile iron	
	Screws	Steel	
	Transmission Lubricant	Synthetic oil	
	Seal Rings	Fluorocarbon (FKM) O-Rings	L - FKM gaskets PTFE Encapsulated O-rings





## *Technical Information Sheet*

### ***SLS12 i - SLS18 i***

TIS SLS12_18i R03 e
Effective 25.06.19
Replaces 18.03.19

---

Non-contractual document. Mouvex may modify the products described in this document without prior notice.