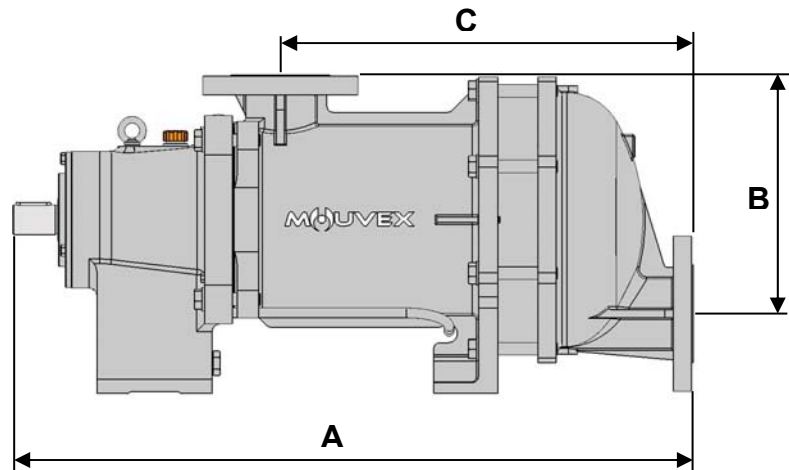
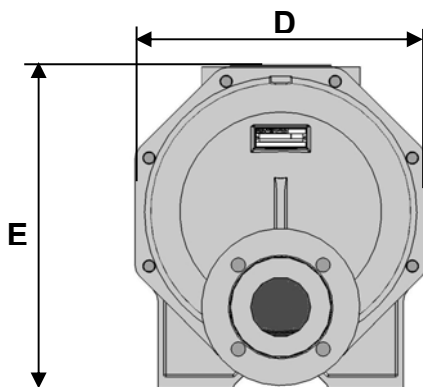


### CHARACTERISTICS

		STANDARD	AVAILABLE OPTIONS
<b>Technology</b>		Eccentric Disc Mouvex®	
<b>Maximum Flow rate at 1 cSt m³/h (GPM)</b>		SLC24i : 24 (105.66) SLC36i : 36 (158.5) SLC45i : 45 (198)	
<b>Displacement per revolution ( l / gal)</b>		SLC24i : 0.946 (0.25) SLC36i : 1.42 (0.375) SLC45i : 1.7 (0.45)	
<b>Ports</b>		DN 80 ISO PN16 flanges	3" ANSI150 flanges
<b>Pump heating</b>		None	Heating jacket
<b>Dimensions mm (in.) (With ISO PN16 flanges)</b>	<b>A</b>	SLC24i - SLC45i : 879 (34.6) SLC36i : 905.5 (35.65)	
	<b>B</b>	308 (12.13)	
	<b>C</b>	SLC24i - SLC45i : 533.5 (21) SLC36i : 560 (22.05)	
	<b>D</b>	368 (14.49)	
	<b>E</b>	411 (16.18)	
<b>Weight kg (lbs)</b>		SLC24i : 185 (408) SLC36i : 200 (441) SLC45i : 170 (375)	

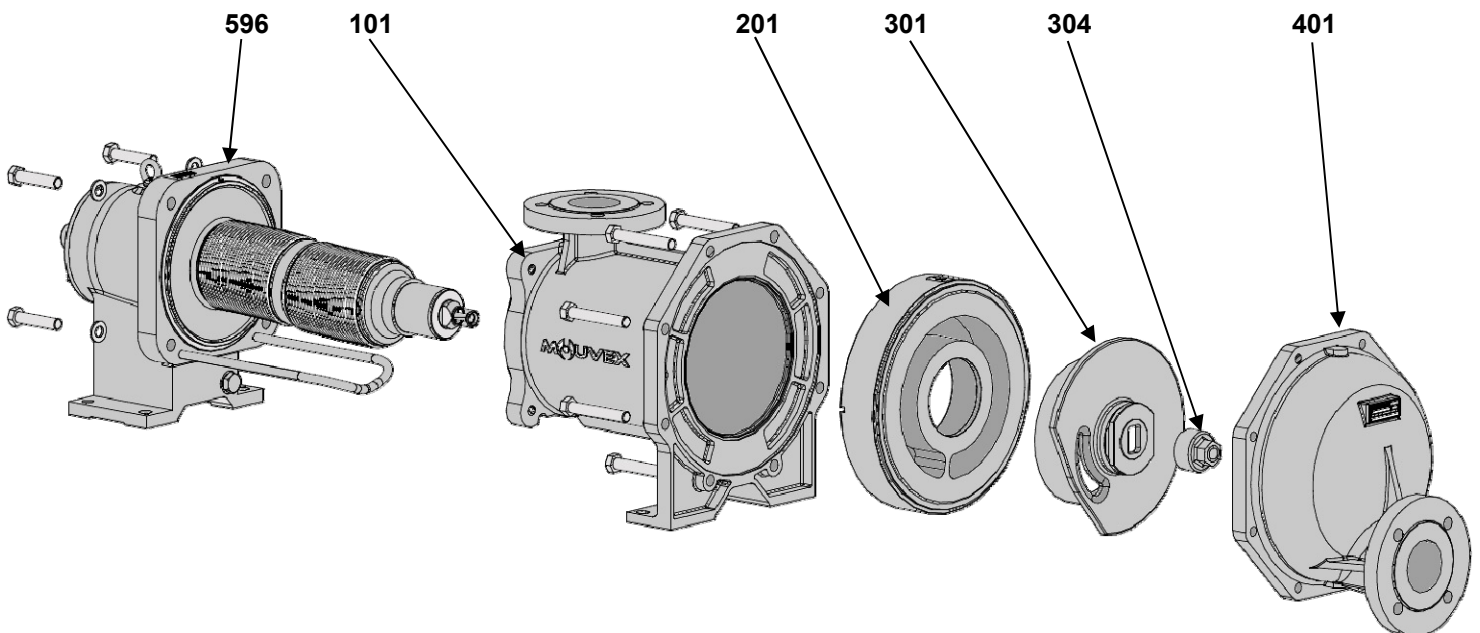


### OPERATING LIMITS

Minimum temperature °C (°F)	-15 (5)
Maximum temperature °C (°F)	Process: 100 / 212 Washing / Rinsing / Sterilisation (SLC24i - SLC36i) : 121 / 250
Maximum dynamic in-pump viscosity cP	10000
Maximum differential pressure bar (psi)	SLC24i : 9 (130) SLC36i - SLC45i : 6 (87)
Maximum inlet pressure barg (psig)	Process : SLC24i - SLC36i : 2 (29) SLC45i : 1 (14.5) Washing / Rinsing / Sterilisation (SLC24i - SLC36i) : 3 (43.5) Pump stopped (SLC24i - SLC36i - SLC45i) : 6 (87)
Maximum speed rpm	460
Maximum solid particle size mm (in)	2 (0.079)
Maximum soft particle size mm (in)	14 (0.551)

### MATERIALS OF CONSTRUCTION

Part No	PART NAME	STANDARD MATERIALS	AVAILABLE OPTIONS
101	Inlet manifold	316L Stainless Steel (low carbon)	
201	Cylinder	316L Stainless Steel (low carbon)	
301	Disc	CY5SnBiM (anti galling alloy)	
304	Disc Nut	316Ti Stainless Steel (Titanium Alloy)	
401	Outlet Cover	316L Stainless Steel (low carbon)	
	Bolts	316L Stainless Steel (low carbon)	
	<b>Transmission Assembly</b>		
596	Bearings	Ball / Roller / Needle	
	Double Bellows Assembly	316Ti & 316 L Stainless Fabrication	Bellows monitoring system
	Housing	Nickel plated ductile iron	
	Screws	Steel	
	Transmission Lubricant	Synthetic oil	
	Seal Rings	Fluorocarbon (FKM) O-Rings	PTFE Encapsulated O-rings





# **Technical Information Sheet**

## **SLC24 i - SLC36 i - SLC45 i**

TIS SLC24_36_45i R04 e
Effective 25.06.19
Replaces 18.03.19

Non-contractual document. Mouvex may modify the products described in this document without prior notice.