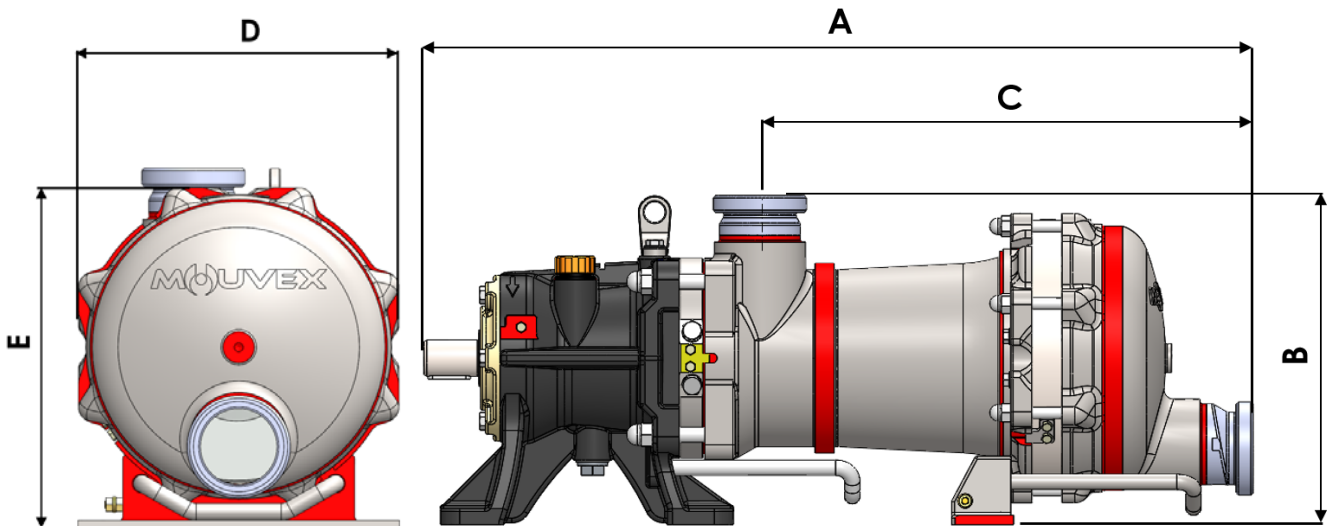


### CHARACTERISTICS

	STANDARD	AVAILABLE OPTIONS
<b>Technology</b>	Eccentric Disc Mouvex®	
<b>Maximum Flow rate m<sup>3</sup>/h (GPM)</b>	27.5 (121.08)	
<b>Displacement per revolution ( l / gal US)</b>	0.882 (0.233)	
<b>Inlet chamber volume L (gal US)</b>	5.3 (1.400)	
<b>Outlet chamber volume L (gal US)</b>	3.0 (0.793)	
<b>Weight kg (lbs)</b>	122 (269)	
<b>Wet surface m<sup>2</sup> (in<sup>2</sup>)</b>	1.0 (1 550)	
<b>Moment of inertia kg.mm<sup>2</sup> (lbs.in<sup>2</sup>)</b>	74 971 (255.91)	
<b>Ports</b>	DN80 SMS 1145	DN80 DIN11851 DN80 DIN11864-2 BF-A Aseptik 3" CLAMP ASME BPE-2009 DN80 CLAMP (ISO 2852)
<b>Pump heating</b>	None	Heating Jacket
<b>Easy Clean System</b>	None	ECS
<b>Dimensions mm (in.) (with SMS connections)</b>	<b>A</b>	872 (34.331)
	<b>B</b>	346 (13.622)
	<b>C</b>	518.5 (20.413)
	<b>D</b>	304 (11.97)
	<b>E</b>	327 (12.87)



### OPERATING LIMITS

Minimum temperature °C (°F)	-15 (5)
Maximum temperature °C (°F)	Process: 100 (212) Washing/Rinsing/Sterilisation:121 (250)
Maximum dynamic in-pump viscosity cP	10 000
Maximum differential pressure bar (psi)	10 (145)
Maximum inlet pressure barg (psig)	Process : 2 (29) Washing / Rinsing / Sterilisation : 3 (43.5) Pump stopped : 6 (87)
Maximum speed rpm	525
Maximum solid particle size mm (in)	2 (0.0788)
Maximum soft particle size mm (in)	14 (0.550)

### MATERIALS OF CONSTRUCTION

Part No	PART NAME	STANDARD MATERIALS	AVAILABLE OPTIONS
39100	Inlet Chamber	316L Stainless Steel	
39108	Inlet chamber Bracket	316L Stainless Steel	
39201	Cylinder	316L Stainless Steel	
39301	Disc	CY5SnBiM (anti galling alloy)	
39304	Disc Nut	316L Stainless Steel	
39401	Outlet Cover	316L Stainless Steel	
	<b>Transmission Assembly</b>		
	Bearings	Ball / Roller / Needle	
39596	Triple layers Bellow Assembly	316Ti & 316 L Stainless Fabrication	
	Housing	Ductile iron + e coating	
	Transmission Lubricant	Synthetic oil	
39206	Seal Rings	EPDM (EC 1935/2004 & FDA)	FEP EC 1935/2004 Encapsulated O-rings Fluorocarbon (FKM) O-Rings (EC 1935/2004 & FDA)

