

PARTS LIST
VANE COMPRESSORS
ENTERPRISE E140 - E170

Note :

The interchangeability is ensured between all the components in both direction :

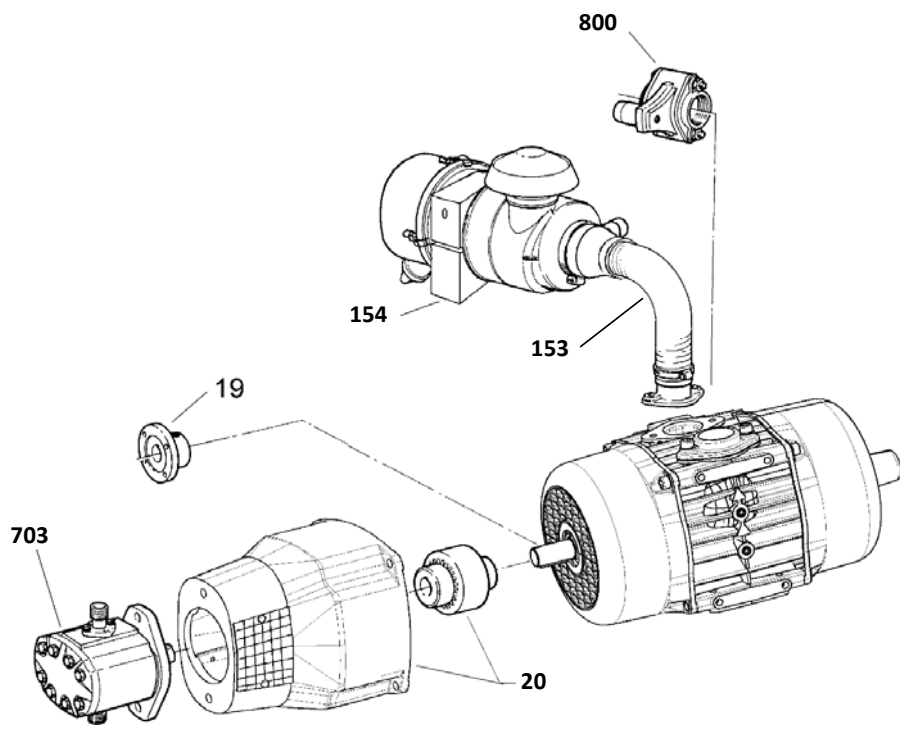
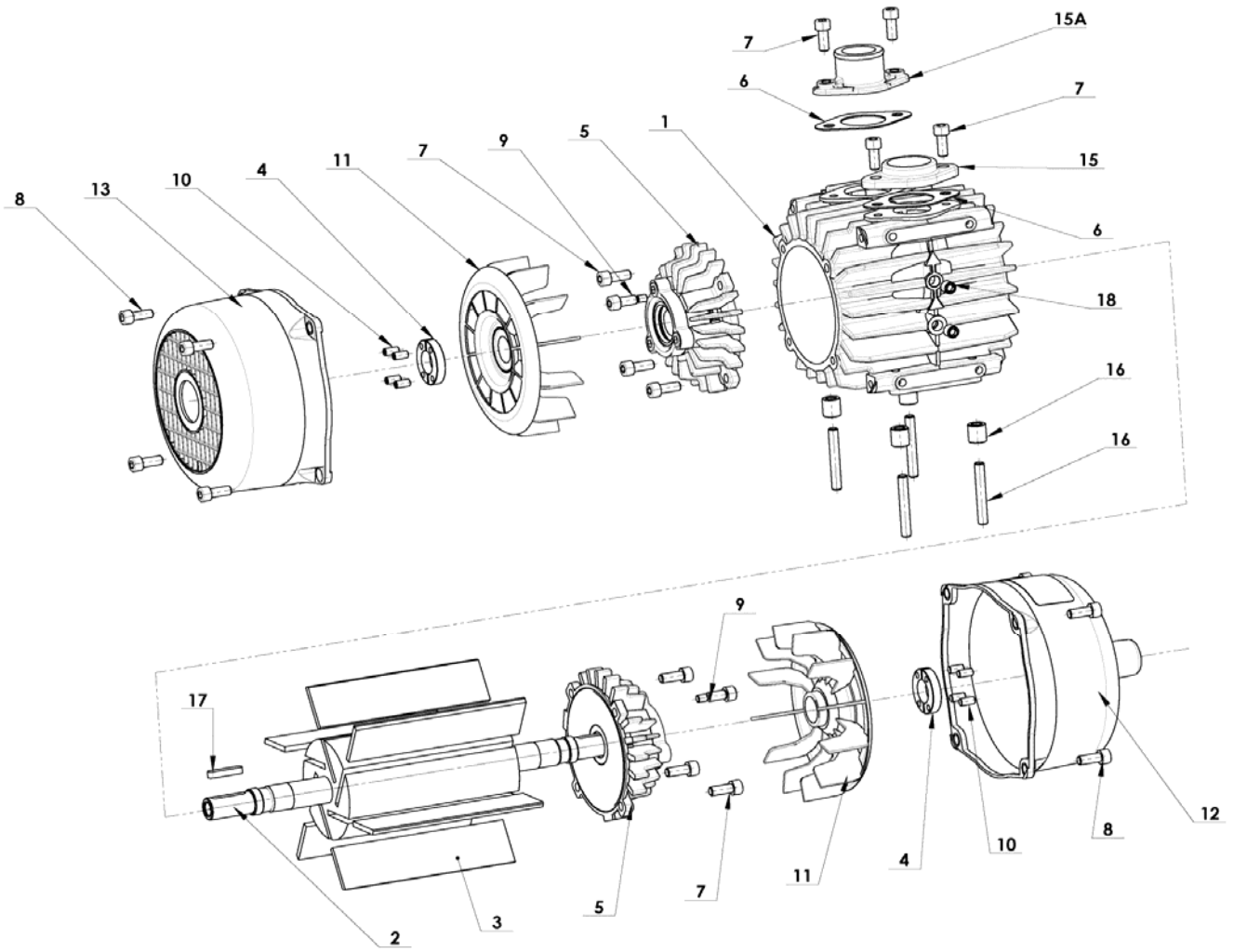
- E106 ←-----→ E140
- E156 ←-----→ E170

Keep this parts lists with Installation, Operation and Maintenance Instructions.

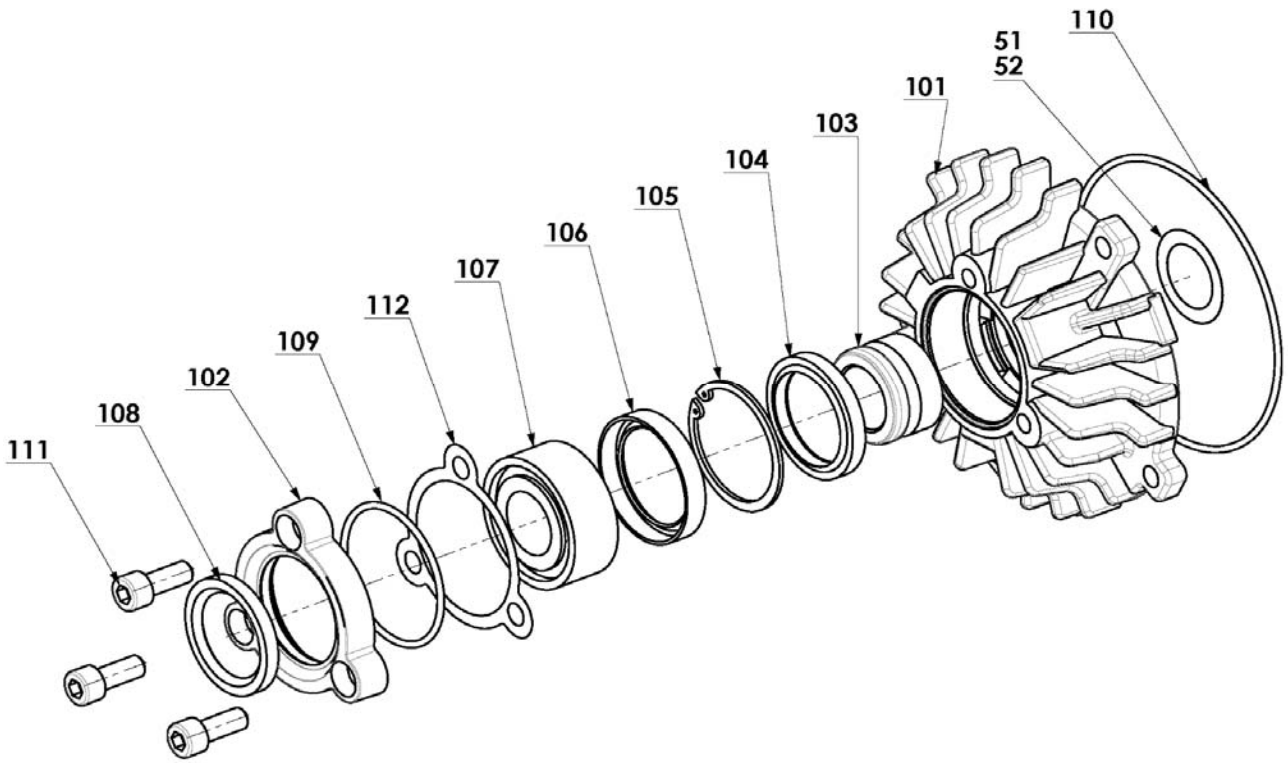
To order the required spare parts, indicate the desired Reference(s).

- ◆ Sets of parts or parts available to order.

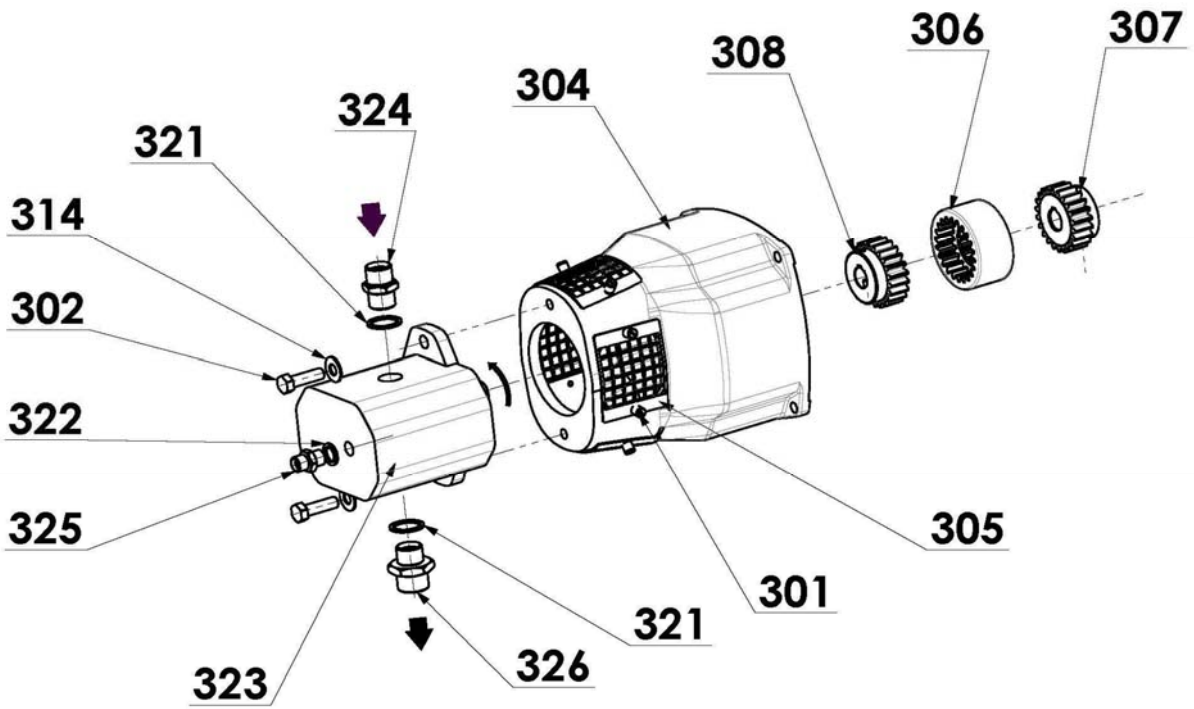
ENTERPRISE E140 - E170



SIDE PLATE ASSEMBLY

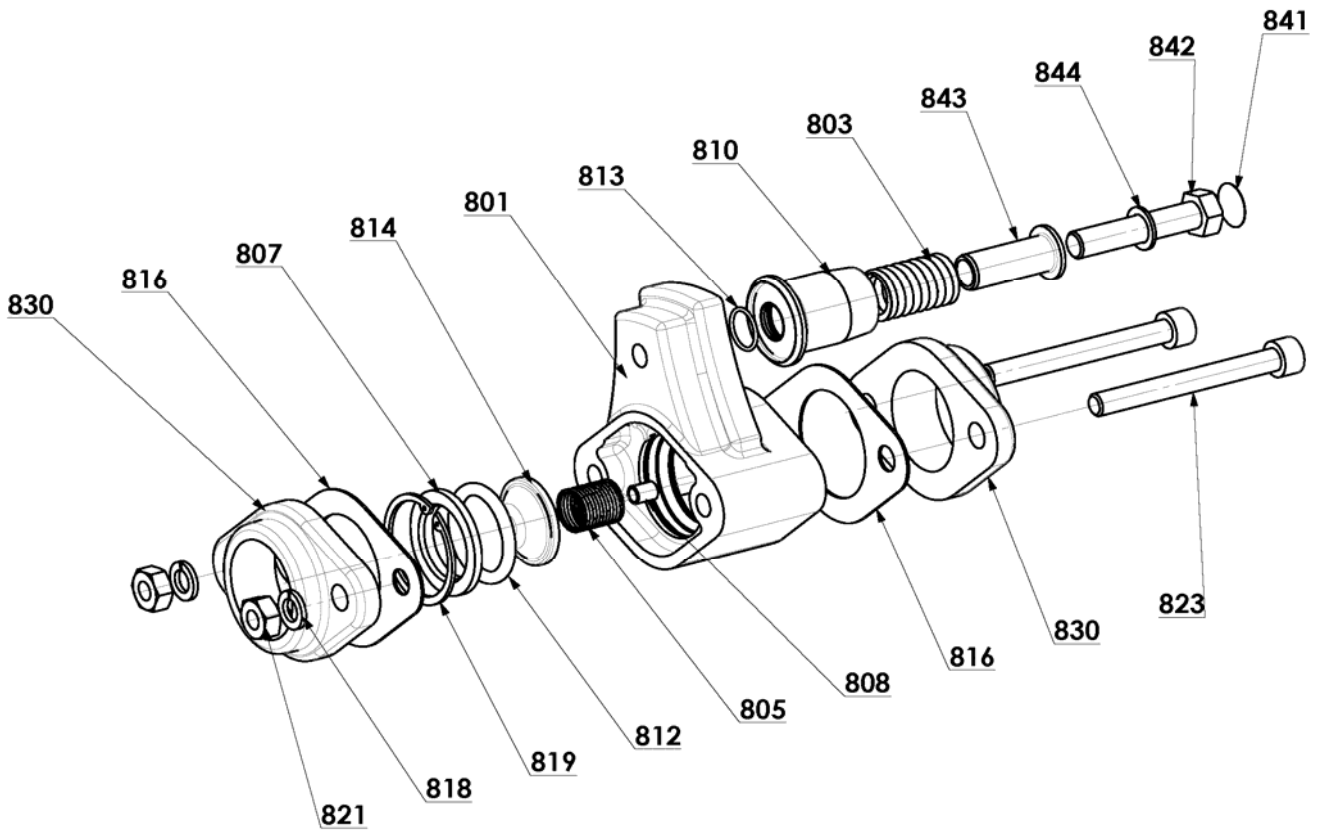


HYDRAULIC TRUNK & HYDRAULIC MOTOR

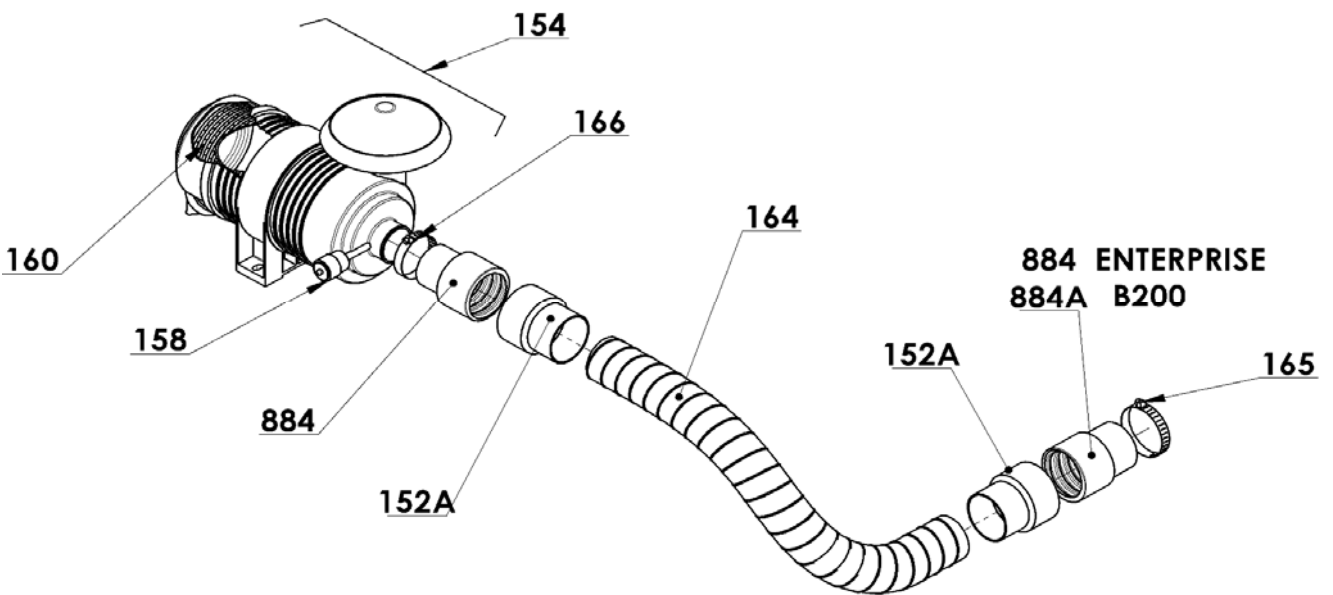


ACCESSORIES

CHECK RELIEF VALVE



AIR FILTER KIT & SUCTION HOSE KIT



ENTERPRISE E140

* 1, 2, 4... : Quantity in equipment - (1), (2), (4)... : Quantity in kit

Item	Available	Description	Qty*	Ref.	Maintenance kit	Wear part
1	◆	CASING E140	1	AUX220472		
2	◆	E140 ROTOR	1	AUX244249		
3 3A	◆	SET OF 6 VANES E140 N VANE	1 (6)	AUX321781	■	●
5	◆	SIDE PLATE ASSEMBLY E140	1	AUX321766	■	
9	◆	SHOULDER SCREW M8	1	AUX220593		
9A	◆	SHOULDER SCREW M10	1	AUX244246		
51	◆	SET OF STAINLESS STEEL SHIMS	1	AUX321740		
101		SIDE PLATE	(1)			
102		BEARING CAP	(1)			
103	◆	SLEEVE	1	AUX220508		●
104	◆	LIP SEAL	1	AUX220531		●
105		CIRCLIPS	(1)			
106	◆	LIP SEAL	1	AUX219688		●
107	◆	BALL BEARING	1	AUX225331		
108	◆	LIP SEAL	1	AUX244154		●
109	◆	SEAL	1	AUX220530		●
110	◆	SEAL	1	AUX220526		●
111		SCREW	(3)			
112	◆	SET OF POLYMER SHIMS	1	AUX312386		●
1011		SCREW	(2)			
6	◆	FLANGE GASKET	2	AUX228065	■	
11A	◆	FAN ASSEMBLY FOR ENTERPRISE E140 E170	2	AUX315407	■	
11		FAN FOR ENTERPRISE E140 E170	(1)			
24	◆	FASTENING KIT FOR FAN ENTERPRISE E140 E170	1	AUX319258	■	
4		SPLIT SLEEVE	(2)			
10		SCREW	(4)			
12	◆	ENTERPRISE NO DRIVE END COVER	1	AUX220617		
13	◆	ENTERPRISE DRIVE END COVER	1	AUX220618		
15	◆	FLANGE 1.5 BSP STAINLESS STEEL	1	AUX227474		
15	◆	FLANGE 1.5 NPT STAINLESS STEEL	1	AUX227473		
15A	◆	INLET HOSE CONNECTOR	1	AUX220652		
16	◆	STUDS KIT ENTERPRISE	1	AUX313084		
17		KEY	(1)			
34		SPACER	(4)			
38		WASHER	(4)			
39		WASHER	(4)			
40		NUT	(4)			
41		STUD	(4)			
20	◆	ENTERPRISE HYDRAULIC TRUNK (M) KIT	1	AUX313302		
20	◆	ENTERPRISE HYDRAULIC TRUNK (2PL) KIT	1	AUX313170		
300	◆	ENTERPRISE HYDRAULIC TRUNK ASSEMBLY	1	AUX313106		
304		ENTERPRISE HYDRAULIC TRUNK	(1)			
305A	◆	GRID	4	AUX315329		
301		SCREW	(2)			
305		GRID	(1)			
302		SCREW	(2)			
311	◆	COUPLING (2PL) D25-D7/8 ASSEMBLY	1	AUX313169	■	
311	◆	COUPLING (M) D25-D24 ASSEMBLY	1	AUX313107	■	
314		WASHER	(2)			

ENTERPRISE E140

* 1, 2, 4... : Quantity in equipment - (1), (2), (4)... : Quantity in kit

Item	Available	Description	Qty*	Ref.	Maintenance kit	Wear part
73	◆	REPAIR KIT E140	1	AUX321768	■	
3	◆	SET OF 6 VANES E140 N	1	AUX321781	■	
3A		VANE	(6)			●
6	◆	FLANGE GASKET	2	AUX228065		●
51	◆	SET OF STAINLESS STEEL SHIMS	1	AUX321740		
104	◆	LIP SEAL	2	AUX220531		●
105		CIRCLIPS	(2)			
106	◆	LIP SEAL	2	AUX219688		●
107		BALL BEARING	(2)			
108	◆	LIP SEAL	2	AUX244154		●
109	◆	SEAL	2	AUX220530		
110	◆	SEAL	2	AUX220526		
112	◆	SET OF POLYMER SHIMS	1	AUX312386		
153	◆	SUCTION HOSE KIT 2M (ENTERPRISE)	1	AUX316690	■	
152A	◆	HEAT SHRINKABLE SLEEVE	2	AUX229592	■	
164		HOSE	(1)			
165		HOSE CLAMP	(1)			
166		HOSE CLAMP	(1)			
884		RUBBER STRAIGHT HUMP Ø50	(2)			
317	◆	PTO DRIVE FLANGE DIN 90	1	AUX313127		
17A		KEY	(1)			
315	◆	PTO DRIVE FLANGE	1	AUX220642		
316		SCREW	(1)			
318	◆	PTO DRIVE FLANGE SAE 1120	1	AUX313126		
17A		KEY	(1)			
315	◆	PTO DRIVE FLANGE	1	AUX220646		
316		SCREW	(1)			
800	◆	CHECK RELIEF VALVE 1.5" BSP 2.5 BAR	1	AUX316087	■	
800	◆	CHECK RELIEF VALVE 1.5" NPT 2.5 BAR	1	AUX316318	■	
800	◆	CHECK RELIEF VALVE 1.5" BSP 2 BAR	1	AUX316086	■	
800	◆	CHECK RELIEF VALVE 1.5" NPT 2 BAR	1	AUX316088	■	
803		SPRING	(1)			
809		COMPLETE VALVE	(1)			
801		CHECK VALVE CASING COATED	(1)			
805		SPRING	(1)			
807		RING	(1)			
808		BUSH	(1)			
812		O-RING	(1)			
814		VALVE	(1)			
816	◆	FLANGE GASKET	2	AUX228065	■	
818		WASHER	(2)			
819		CIRCLIPS	(1)			
821		NUT	(2)			
823		SCREW	(2)			
830		FLANGE	(2)			
810		VALVE	(1)			
813		SEAL	(1)			
822		SCREW	(1)			

ENTERPRISE E170

* 1, 2, 4... : Quantity in equipment - (1), (2), (4)... : Quantity in kit

Item	Available	Description	Qty*	Ref.	Maintenance kit	Wear part
1	◆	CASING E170	1	AUX220467		
2	◆	E170 ROTOR	1	AUX220482		
3 3A	◆	SET OF 6 VANES E170 N VANE	1 (6)	AUX321782	■	●
5	◆	SIDE PLATE ASSEMBLY E140	1	AUX321766	■	
9	◆	SHOULDER SCREW M8	1	AUX220593		
9A	◆	SHOULDER SCREW M10	1	AUX244246		
51	◆	SET OF STAINLESS STEEL SHIMS	1	AUX321740		
101		SIDE PLATE	(1)			
102		BEARING CAP	(1)			
103	◆	SLEEVE	1	AUX220508		●
104	◆	LIP SEAL	1	AUX220531		●
105		CIRCLIPS	(1)			
106	◆	LIP SEAL	1	AUX219688		●
107	◆	BALL BEARING	1	AUX225331		
108	◆	LIP SEAL	1	AUX244154		●
109	◆	SEAL	1	AUX220530		●
110	◆	SEAL	1	AUX220526		●
111		SCREW	(3)			
112	◆	SET OF POLYMER SHIMS	1	AUX312386		●
1011		SCREW	(2)			
6	◆	FLANGE GASKET	2	AUX228065	■	
11A	◆	FAN ASSEMBLY FOR ENTERPRISE E140 E170	2	AUX315407	■	
11		FAN FOR ENTERPRISE E140 E170	(1)			
24	◆	FASTENING KIT FOR FAN ENTERPRISE E140 E170	1	AUX319258	■	
4		SPLIT SLEEVE	(2)			
10		SCREW	(4)			
12	◆	ENTERPRISE NO DRIVE END COVER	1	AUX220617		
13	◆	ENTERPRISE DRIVE END COVER	1	AUX220618		
15	◆	FLANGE 1.5 BSP STAINLESS STEEL	1	AUX227474		
15	◆	FLANGE 1.5 NPT STAINLESS STEEL	1	AUX227473		
15A	◆	INLET HOSE CONNECTOR	1	AUX220652		
16	◆	STUDS KIT ENTERPRISE	1	AUX313084		
17		KEY	(1)			
34		SPACER	(4)			
38		WASHER	(4)			
39		WASHER	(4)			
40		NUT	(4)			
41		STUD	(4)			
20	◆	ENTERPRISE HYDRAULIC TRUNK (M) KIT	1	AUX313302		
20	◆	ENTERPRISE HYDRAULIC TRUNK (2PL) KIT	1	AUX313170		
300	◆	ENTERPRISE HYDRAULIC TRUNK ASSEMBLY	1	AUX313106		
304		ENTERPRISE HYDRAULIC TRUNK	(1)			
305A	◆	GRID	4	AUX315329		
301		SCREW	(2)			
305		GRID	(1)			
302		SCREW	(2)			
311	◆	COUPLING (2PL) D25-D7/8 ASSEMBLY	1	AUX313169	■	
311	◆	COUPLING (M) D25-D24 ASSEMBLY	1	AUX313107	■	
314		WASHER	(2)			

ENTERPRISE E170

* 1, 2, 4... : Quantity in equipment - (1), (2), (4)... : Quantity in kit

Item	Available	Description	Qty*	Ref.	Maintenance kit	Wear part
73	◆	REPAIR KIT E170	1	AUX321767	■	
3	◆	SET OF 6 VANES E170 N	1	AUX321782	■	
3A		VANE	(6)			●
6	◆	FLANGE GASKET	2	AUX228065		●
51	◆	SET OF STAINLESS STEEL SHIMS	1	AUX321740		
104	◆	LIP SEAL	2	AUX220531		●
105		CIRCLIPS	(2)			
106	◆	LIP SEAL	2	AUX219688		●
107		BALL BEARING	(2)			
108	◆	LIP SEAL	2	AUX244154		●
109	◆	SEAL	2	AUX220530		
110	◆	SEAL	2	AUX220526		
112	◆	SET OF POLYMER SHIMS	1	AUX312386		
153	◆	SUCTION HOSE KIT 2M (ENTERPRISE)	1	AUX316690	■	
152A	◆	HEAT SHRINKABLE SLEEVE	2	AUX229592	■	
164		HOSE	(1)			
165		HOSE CLAMP	(1)			
166		HOSE CLAMP	(1)			
884		RUBBER STRAIGHT HUMP Ø50	(2)			
317	◆	PTO DRIVE FLANGE DIN 90	1	AUX313127		
17A		KEY	(1)			
315	◆	PTO DRIVE FLANGE	1	AUX220642		
316		SCREW	(1)			
318	◆	PTO DRIVE FLANGE SAE 1120	1	AUX313126		
17A		KEY	(1)			
315	◆	PTO DRIVE FLANGE	1	AUX220646		
316		SCREW	(1)			
800	◆	CHECK RELIEF VALVE 1.5" BSP 2 BAR	1	AUX316086	■	
800	◆	CHECK RELIEF VALVE 1.5" NPT 2 BAR	1	AUX316088	■	
803		SPRING	(1)			
809		COMPLETE VALVE	(1)			
801		CHECK VALVE CASING COATED	(1)			
805		SPRING	(1)			
807		RING	(1)			
808		BUSH	(1)			
812		O-RING	(1)			
814		VALVE	(1)			
816	◆	FLANGE GASKET	2	AUX228065	■	
818		WASHER	(2)			
819		CIRCLIPS	(1)			
821		NUT	(2)			
823		SCREW	(2)			
830		FLANGE	(2)			
810		VALVE	(1)			
813		SEAL	(1)			
822		SCREW	(1)			

ACCESSORIES

ENTERPRISE E140 - E170

* 1, 2, 4... : Quantity in equipment - (1), (2), (4)... : Quantity in kit

Item	Available	Description	Qty*	Ref.	Maintenance kit	Wear part
154	◆	AIR FILTER KIT FC4	1	AUX319160	■	
158	◆	RESTRICTION INDICATOR	(1)	AUX215658	■	
160	◆	FILTER ELEMENT FC4	(1)	AUX220669	■	●
703	◆	HYDRAULIC MOTOR KIT 36CC SAE2B (FOR ENTERPRISE HYDRAULIC TRUNK M KIT 313302) (321+322+323+324+325+326)	1	AUX313303		
323	◆	HYDRAULIC MOTOR 36CC SAE2B	(1)	AUX220673	■	