

**PARTS LIST**  
**SCREW COMPRESSORS**



Keep this parts lists with Installation, Operation and Maintenance Instructions.

To order the required spare parts, indicate the desired Reference(s).

- ◆ Sets of parts or parts available to order.

**[PSM] : ONLY FOR MOUVEX SERVICE POINTS**

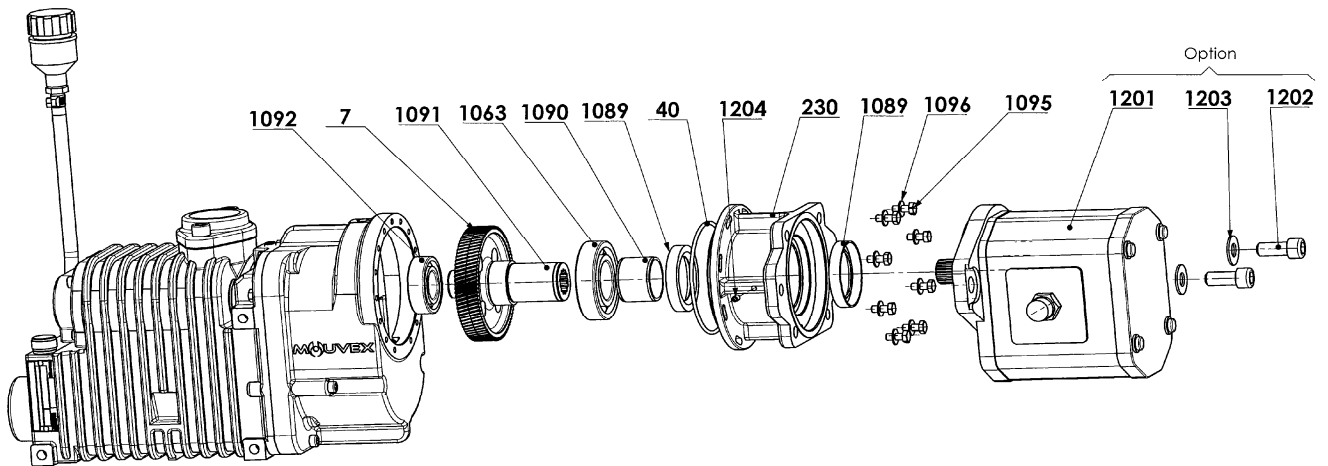
Z.I. la Plaine des Isles - 2 rue des Caillottes F-89000 AUXERRE - France

Tel : +33 (0)3 86 49 86 30 • Fax : +33 (0)3 86 49 87 17

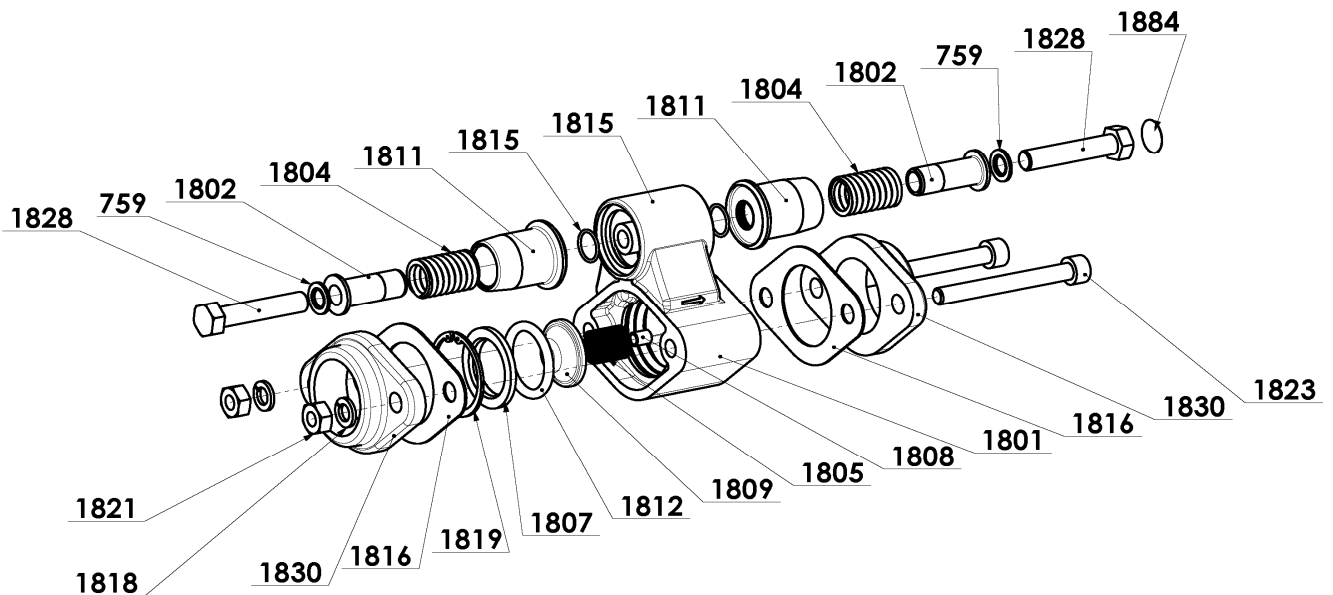
contact.mouvex@psgdover.com • www.mouvex.com



## B200 HY (HYDRAULIC)



## Check and relief valve

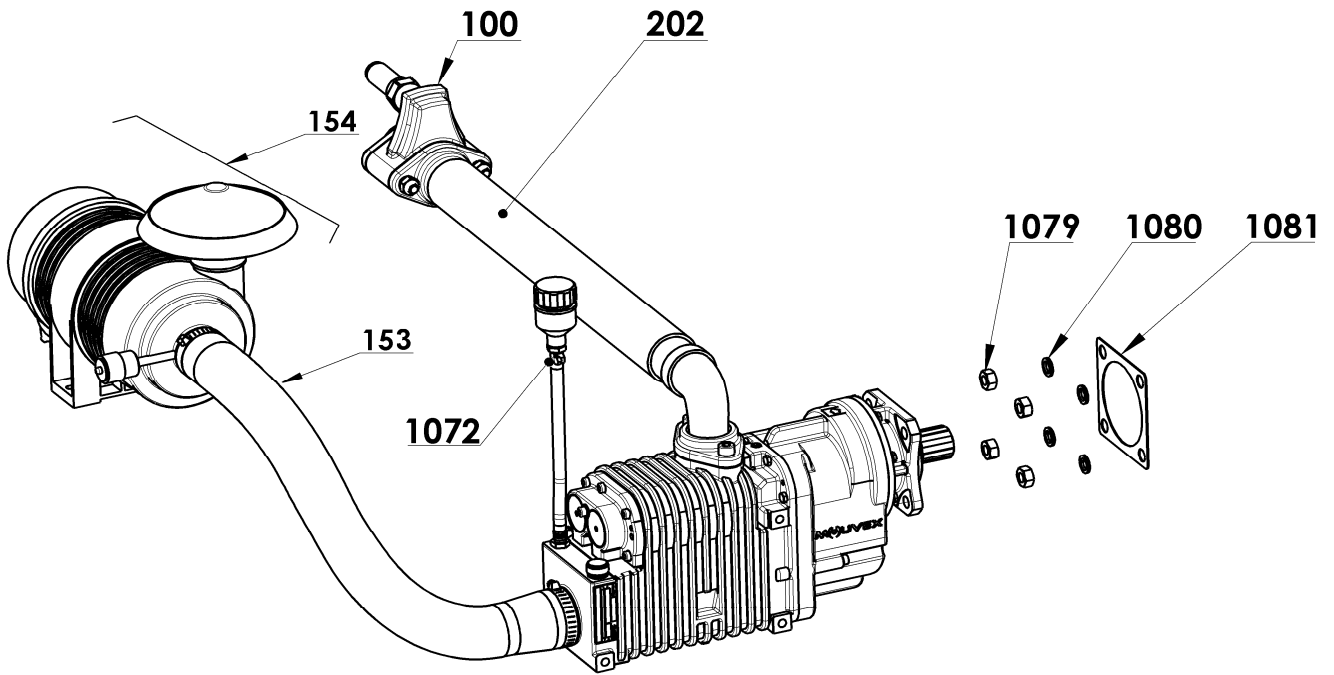


## EXTRACTOR FOR PLUGS ITEM 20

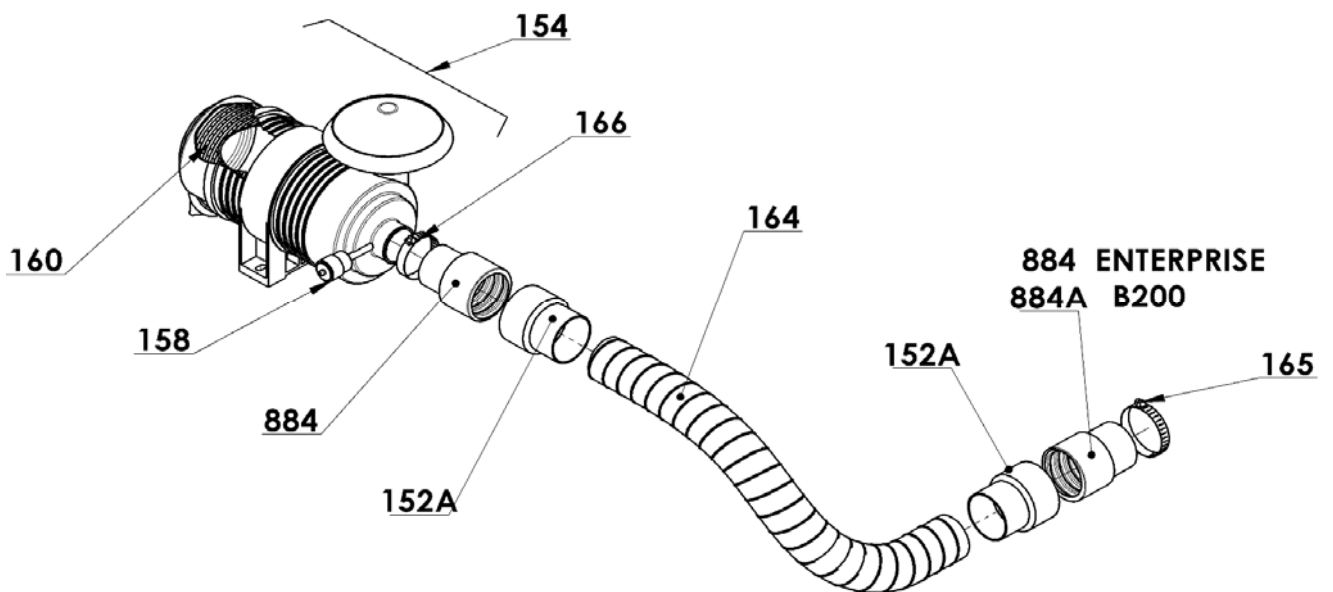


AUX316676

## ACCESSORIES



INTERCOOLER



Air filter kit & Suction hose kit

**TOOLS (ONLY FOR MOUVEX B200 Flow control SERVICE POINTS)**



AUX235270



AUX235271



AUX235272



AUX235281



AUX235282



AUX235283



AUX235284



AUX235285



AUX235698 + AUX235699



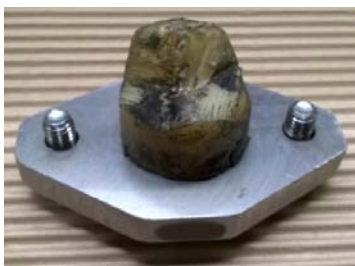
AUX235700



AUX318420



AUX318421



AUX318422



AUX318423



AUX318424



AUX237827

## B200 Flow Control

\* 1, 2, 4... : Quantity in equipment - (1), (2), (4)... : Quantity in kit

Item	Available	Description	Qty*	Ref.	Maintenance kit	Wear part
1	◆	BODY [PSM]	1	AUX228733		
2	◆	GEAR BOX B200 [PSM]	1	AUX228897		
44	◆	PLUG	2	AUX218137		
97	◆	DISCHARGE FLANGE KIT B200 BSP	1	AUX316967		
1082		FLANGE 1.5 BSP STAINLESS STEEL	(1)			
1083	◆	FLANGE GASKET	1	AUX228065	■	
1084		SCREW	(2)			
100	◆	CHECK RELIEF VALVE FC 1.5" 2.3 BAR	1	AUX319725	■	
100	◆	CHECK RELIEF VALVE FC 1.5" 2.5 BAR	1	AUX319726	■	
100	◆	CHECK RELIEF VALVE FC 1.5" 2 BAR	1	AUX319724	■	
759		SEAL	(2)			
1801		CHECK VALVE CASING	(1)			
1802		SPACER	(2)			
1804	◆	SPRING (WHITE) 2 BAR	2	AUX229949		
1804	◆	SPRING (BLACK) 2.5 BAR	2	AUX220704		
1804	◆	SPRING (RED) 2.3 BAR AND WASHER	2	AUX321320		
1804A		WASHER (AUX319725 only)	(1)			
1805		SPRING	(1)			
1807		RING	(1)			
1808		BUSH	(1)			
1809		VALVE	(1)			
1811		VALVE	(2)			
1812		O-RING	(1)			
1815		SEAL	(2)			
1816	◆	FLANGE GASKET	2	AUX228065	■	
1818		WASHER	(2)			
1819		CIRCLIPS	(1)			
1821		NUT	(2)			
1823		SCREW	(2)			
1828		SCREW	(2)			
1830	◆	FLANGE 1.5 BSP STAINLESS STEEL	2	AUX227474		
124	◆	TORQUE LIMITER 400 NM (PS)	1	AUX315408	■	●
153	◆	SUCTION HOSE KIT 2M (B200)	1	AUX316324	■	
152A	◆	HEAT SHRINKABLE SLEEVE	2	AUX229592	■	
164		HOSE	(1)			
165		HOSE CLAMP	(1)			
166		HOSE CLAMP	(1)			
884		RUBBER STRAIGHT HUMP Ø50	(1)			
884A		RUBBER STRAIGHT HUMP Ø57	(1)			
202	◆	DISCHARGE PRESSURE HOSE B200 (PF)	1	AUX227514	■	●
230	◆	TRUNK (B200 HY)	1	AUX227102		
399	◆	PLUG WITH OIL GAUGE	1	AUX226855		
843	◆	PIN	2	AUX236652		
940	◆	GEAR BOX ASSEMBLY B200 (NOT ASSEMBLED) [PSM]	1	AUX318709		
2	◆	GEAR BOX B200 [PSM]	1	AUX228897		
20		PLUG	(2)			
36		SCREW	(6)			
38		SCREW	(1)			
52		WASHER	(1)			
67A		BALL BEARING	(2)			
843	◆	PIN	2	AUX236652		
1060		BRONZE SEAL	(2)			
1068		O-RING	(2)			

## B200 Flow Control

\* 1, 2, 4... : Quantity in equipment - (1), (2), (4)... : Quantity in kit

Item	Available	Description	Qty*	Ref.	Maintenance kit	Wear part
<b>941</b>	◆	<b>KIT B200 MULTIPLIER [PSM]</b>	<b>1</b>	<b>AUX318716</b>		
6		GEAR 22 TEETH	(2)			
47		KEY	(2)			
68		BALL BEARING	(1)			
71		SCREW	(3)			
1087		BEARING	(1)			
1088		SECONDARY SHAFT	(1)			
1097		GEAR 89 TEETH	(1)			
<b>943</b>	◆	<b>KIT BUSHINGS_BEARING_GEAR B200 [PSM]</b>	<b>1</b>	<b>AUX318717</b>		
6		GEAR 22 TEETH	(2)			
10		BRACKET	(1)			
11		BRONZE SEAL (RIGHT)	(1)			
12		BRONZE SEAL (LEFT)	(1)			
14		SET OF SHIMS	(2)			
15		DEFLECTOR	(2)			
18		BUSHING	(2)			
22		SET OF SHIMS	(2)			
33A		WASHER	(6)			
34		SCREW	(10)			
60		BEARING NUT	(2)			
67		BALL BEARING	(2)			
67A		BALL BEARING	(2)			
69		THRUST BALL BEARING	(2)			
189		SYNCHRONIZATION GEARS B200	(1)			
1060		BRONZE SEAL	(2)			
1061		BUSHING	(1)			
1066		SCREW	(8)			
1089		LIP SEAL	(2)			●
<b>970</b>	◆	<b>BEARINGS KIT B200 COMPRESSOR [PSM]</b>	<b>1</b>	<b>AUX318096</b>		
6		GEAR 22 TEETH	(2)			
14		SET OF SHIMS	(2)			
15		DEFLECTOR	(2)			
18		BUSHING	(2)			
22		SET OF SHIMS	(2)			
33A		WASHER	(6)			
34		SCREW	(10)			
60		BEARING NUT	(2)			
67		BALL BEARING	(2)			
67A		BALL BEARING	(2)			
69		THRUST BALL BEARING	(2)			
<b>971</b>	◆	<b>BEARINGS KIT B200 MULTIPLIER [PSM]</b>	<b>1</b>	<b>AUX318097</b>		
68		BALL BEARING	(1)			
1063		BEARING	(1)			
1087		BEARING	(1)			
1092		BALL BEARING	(1)			
<b>972</b>	◆	<b>BUSHINGS KIT B200 [PSM]</b>	<b>1</b>	<b>AUX318098</b>		
11		BRONZE SEAL (RIGHT)	(1)			
12		BRONZE SEAL (LEFT)	(1)			
1060		BRONZE SEAL	(2)			
<b>973</b>	◆	<b>SYNCHRONIZATION KIT B200 [PSM]</b>	<b>1</b>	<b>AUX318099</b>		
10		BRACKET	(1)			
33A		WASHER	(6)			
34		SCREW	(10)			
189		SYNCHRONIZATION GEARS B200	(1)			



## B200 Flow Control

\* 1, 2, 4... : Quantity in equipment - (1), (2), (4)... : Quantity in kit

Item	Available	Description	Qty*	Ref.	Maintenance kit	Wear part
974	◆	SCREW KIT B200 COMPRESSOR [PSM]	1	AUX318100		
47		KEY	(2)			
55		KEY	(2)			
1085B		SET OF SCREWS B200	(1)			
1072	◆	COMPLETE BREATHER B200	1	AUX315323		
70	◆	PLUG	1	AUX218847		
1045		SERRATED SOCKET	(2)			
1046		HOSE	(1)			
1047		CONNECTOR	(1)			
1048		HOSE CLAMP	(2)			
1073	◆	SET OF SEALS FOR (B200)	1	AUX315324	■	
28		SEAL WASHER	(2)			
40		O-RING	(1)			
1068		O-RING	(2)			
1083	◆	FLANGE GASKET	1	AUX228065	■	●
1089		LIP SEAL	(2)			
1071	◆	COMPLETE REINFORCED SPLINED SHAFT (B200 FC PF BLACK VERSION)	1	AUX317020	■	
1071	◆	COMPLETE SPLINED SHAFT (B200 FC PF PREVIOUS BLUE VERSION)	1	AUX315322	■	
7		GEAR 89 TEETH	(1)			
40		O-RING	(1)			
1063		BEARING	(1)			
1089		LIP SEAL	2	AUX220215		●
1090		INTERNAL RING	(1)			●
1091		SPLINED SHAFT	(1)			●
1092		BALL BEARING	(1)			
1093		SCREW	(2)			
1094		SCREW	(2)			
1095		SCREW	(8)			
1096		WASHER	(8)			
1076	◆	COMPLETE FEMALE HYDRAULIC SHAFT (B200 HY)	1	AUX315345		
7		GEAR 89 TEETH	(1)			
40		O-RING	(1)			
1063		BEARING	(1)			
1090		INTERNAL RING	(1)			
1091		FEMALE HYDRAULIC SHAFT (B200 HY)	(1)			●
1092		BALL BEARING	(1)			●
1077	◆	COMPLETE MALE KEYED SHAFT (B200 PS)	1	AUX315356		
7		GEAR 89 TEETH	(1)			
40		O-RING	(1)			
46		KEY	(1)			
1063		BEARING	(1)			
1090		INTERNAL RING	(1)			
1091		MALE KEYED SHAFT (B200PS)	(1)			●
1092		BALL BEARING	(1)			●
1078	◆	MOUNTING KIT B200 PF (1079 + 1080 +1081)	1	AUX315357	■	●
1083	◆	FLANGE GASKET	1	AUX228065	■	



## B200 Flow Control

\* 1, 2,4... : Quantity in equipment - (1), (2), (4)... : Quantity in kit

Item	Available	Description	Qty*	Ref.	Maintenance kit	Wear part
<b>1111</b>	◆	<b>CONVERSION KIT B200 PS</b>	<b>1</b>	<b>AUX315425</b>		
3		COVER (B200PF)	(1)			
7		GEAR 89 TEETH	(1)			
40		O-RING	(1)			
1063		BEARING	(1)			
1089		LIP SEAL	(2)			●
1090		INTERNAL RING	(1)			●
1091		MALE KEYED SHAFT (B200PS)	(1)			●
1092		BALL BEARING	(1)			
1095		SCREW	(8)			
1096		WASHER	(8)			
<b>1111A</b>	◆	<b>CONVERSION KIT B200 HY</b>	<b>1</b>	<b>AUX315426</b>		
7		GEAR 89 TEETH	(1)			
40		O-RING	(1)			
230	◆	TRUNK (B200 HY)	1	AUX227102		
1063		BEARING	(1)			
1089		LIP SEAL	(2)			●
1090		INTERNAL RING	(1)			●
1091		FEMALE HYDRAULIC SHAFT (B200 HY)	(1)			●
1092		BALL BEARING	(1)			
1095		SCREW	(8)			
1096		WASHER	(8)			
1204		SCREW	(1)			
<b>1111B</b>	◆	<b>REINFORCED CONVERSION KIT B200 PF</b>	<b>1</b>	<b>AUX317021</b>		
3		COVER (B200PF)	(1)			
7		GEAR 89 TEETH	(1)			
40		O-RING	(1)			
1063		BEARING	(1)			
1089		LIP SEAL	(2)			●
1090		INTERNAL RING	(1)			●
1091		SPLINED SHAFT	(1)			●
1092		BALL BEARING	(1)			
1095		SCREW	(8)			
1096		WASHER	(8)			
<b>1534</b>	◆	<b>BSC2 OIL - CAN 10 L</b>	<b>1</b>	<b>AUX315397</b>		●
<b>1535</b>	◆	<b>BSC2 OIL - CAN 30 L</b>	<b>1</b>	<b>AUX316722</b>	■	●
<b>1536</b>	◆	<b>BSC2 OIL - CAN 208 L</b>	<b>1</b>	<b>AUX316719</b>		●
<b>1539</b>	◆	<b>BSC2 OIL - CAN 5 L</b>	<b>1</b>	<b>AUX315396</b>		●
<b>1542</b>	◆	<b>BSC2 OIL - CAN 1.2 L</b>	<b>1</b>	<b>AUX315394</b>		●

## ACCESSORIES

\* 1, 2, 4... : Quantity in equipment - (1), (2), (4)... : Quantity in kit

Item	Available	Description	Qty*	Ref.	Maintenance kit	Wear part
154	◆	AIR FILTER KIT FC4	1	AUX319160	■	
158	◆	RESTRICTION INDICATOR	(1)	AUX215658	■	
160	◆	FILTER ELEMENT FC4	(1)	AUX220669	■	●
	◆	HYDRAULIC MOTOR KIT FOR B200 12R HY (1201+1202+1203)	1	AUX315375		●
176A	◆	INTERCOOLER	1	AUX316649	■	
1587	◆	EXTRACTOR FOR PLUGS ITEM 20	1	AUX316676		
1625	◆	SERVICE TOOLS B200 [PSM]	1	AUX318425		
1626	◆	TOOL SYNCHRONIZATION GEARS LOCK [PSM]	1	AUX318420		
1627	◆	TOOL PLATE (GEAR BOX) B200 [PSM]	1	AUX318421		
1628	◆	TOOL SCREW LOCK FLANGE [PSM]	1	AUX318422		
1629	◆	TOOL STACKING COMPRESSION ADJUSTING B200 [PSM]	1	AUX318423		
1630	◆	TOOL BRONZE SEAL EXTRACTOR B200 [PSM]	1	AUX318424		
1631	◆	TOOL GUIDE BEARING CAGE B200 [PSM]	2	AUX235272		
1632	◆	TOOL HUMP LIP SEAL B200 [PSM]	1	AUX235281		
1633	◆	TOOL BRONZE SEAL ASSEMBLING (GEAR BOX) [PSM]	1	AUX235282		
1634	◆	TOOL HUMP BEARING B200 [PSM]	1	AUX235283		
1635	◆	TOOL HUMP BEARING BUSHING B200 [PSM]	1	AUX235284		
1636	◆	TOOL GEARBOX BEARING ASSEMBLING EXT RING [PSM]	1	AUX235285		
1637	◆	TOOL BRACKET SCREWS B200 [PSM]	1	AUX235270		
1638	◆	TOOL TEMPLATE SMALL GEAR B200 [PSM]	2	AUX235271		
1639	◆	TOOL COMPARATOR MITUTOYO B200 [PSM]	1	AUX235698		
1640	◆	TOOL COMPARATOR EXTENSION MITUTOYO B200 [PSM]	1	AUX235699		
1641	◆	TOOL BEARING NUT SKF TM FS-1 [PSM]	1	AUX235700		
1654	◆	TOOL DRIFT	1	AUX237827		