



P.L. : 1401-W01

Effective
Replaces

June 2023
October 2022

PARTS LIST
DIRECT DRIVE PACKAGES LS DDNC
TYPHON II - MISTRAL - B600

Keep this parts lists with Installation, Operation and Maintenance Instructions.

To order the required spare parts, indicate the desired Reference(s).

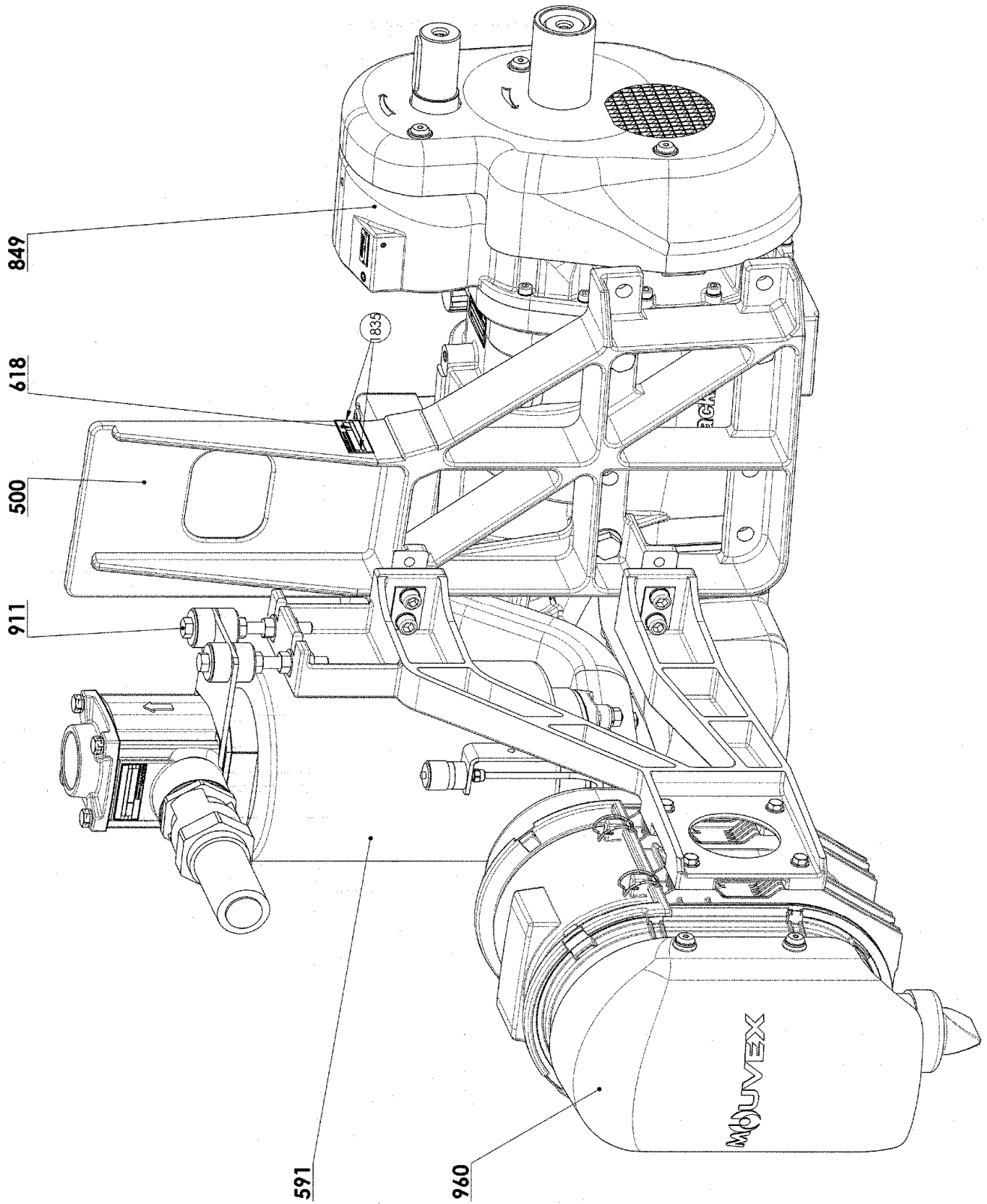
- ◆ Sets of parts or parts available to order.

COMPRESSOR : See PL Compressor

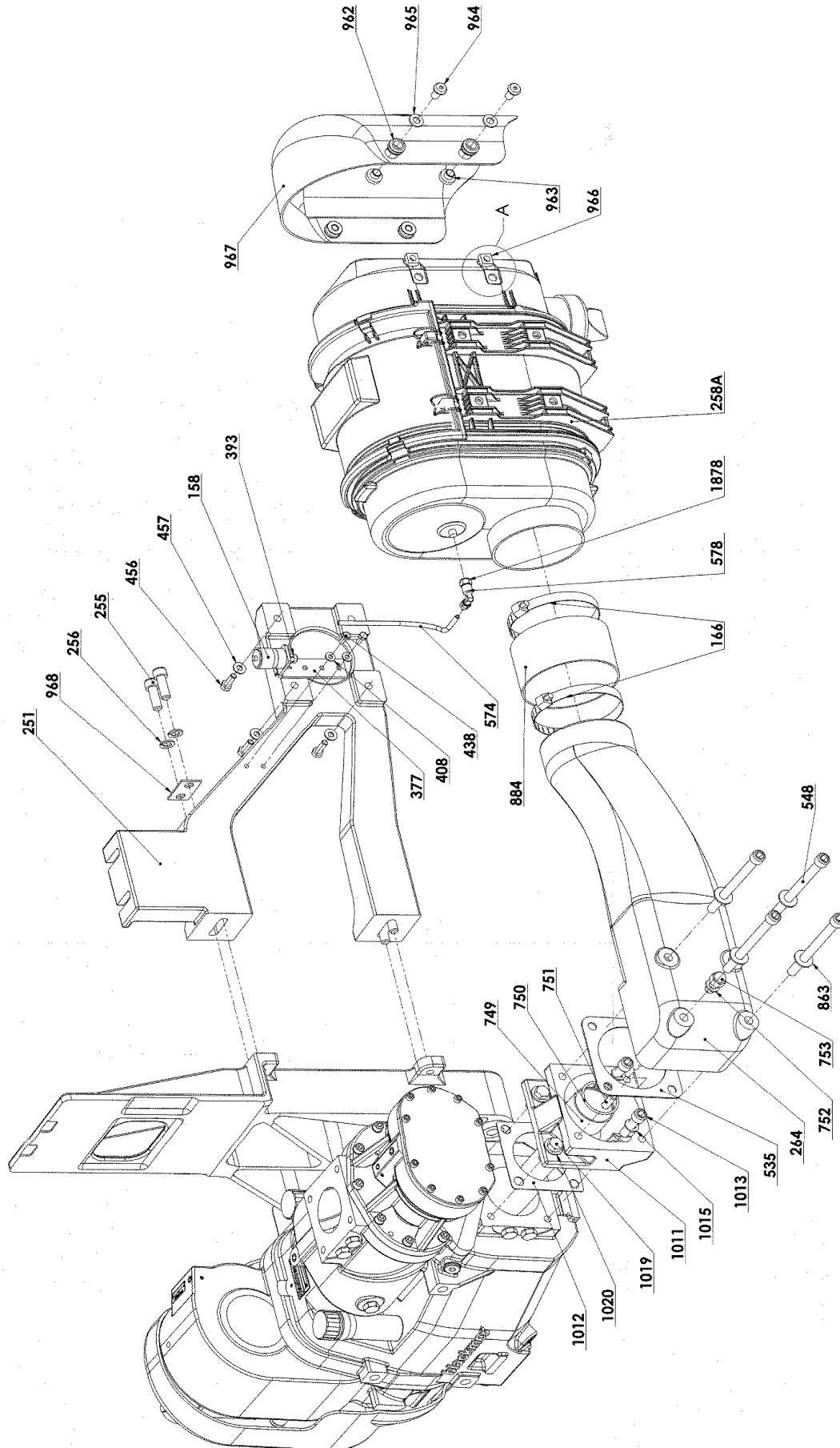
DISASSEMBLING THE COMPRESSOR IS FORBIDDEN AND VOIDS THE WARRANTY.
IF A REPAIRING IS NEEDED, THE COMPRESSOR MUST BE RETURNED TO OUR WORKSHOP.
THE ITEMS SPECIFIED ON THAT PARTS LIST WHICH HAVE NOT REFERENCE CANNOT BE SUPPLIED AS SPARE PARTS.

Z.I. la Plaine des Isles - 2 rue des Caillottes F-89000 AUXERRE - France
Tel : +33 (0)3 86 49 86 30 • Fax : +33 (0)3 86 49 87 17
contact.mouvex@psgdover.com • www.mouvex.com

DIRECT DRIVE PACKAGES LS DDNC

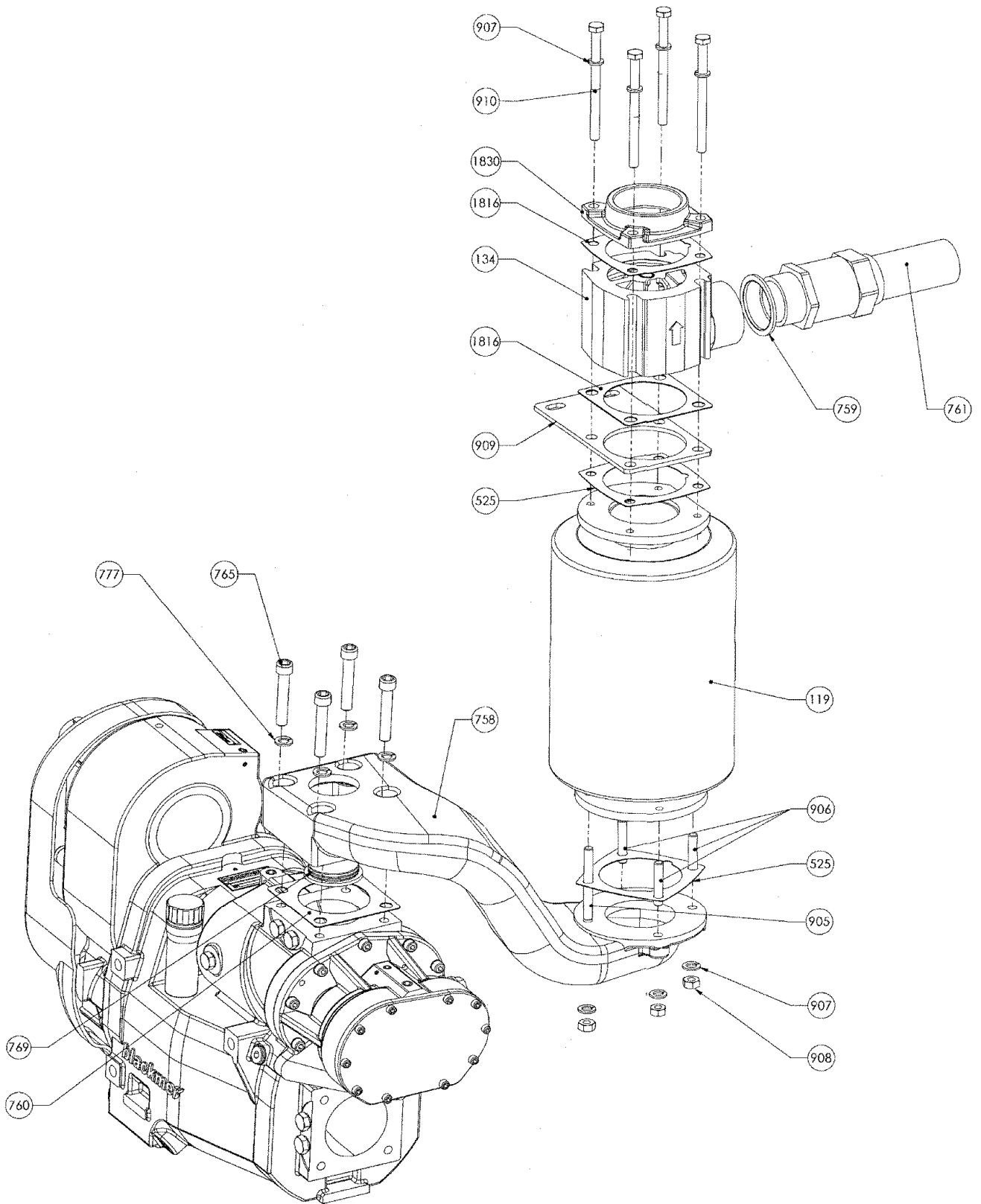


LS-DDNC SUCTION ASSEMBLY



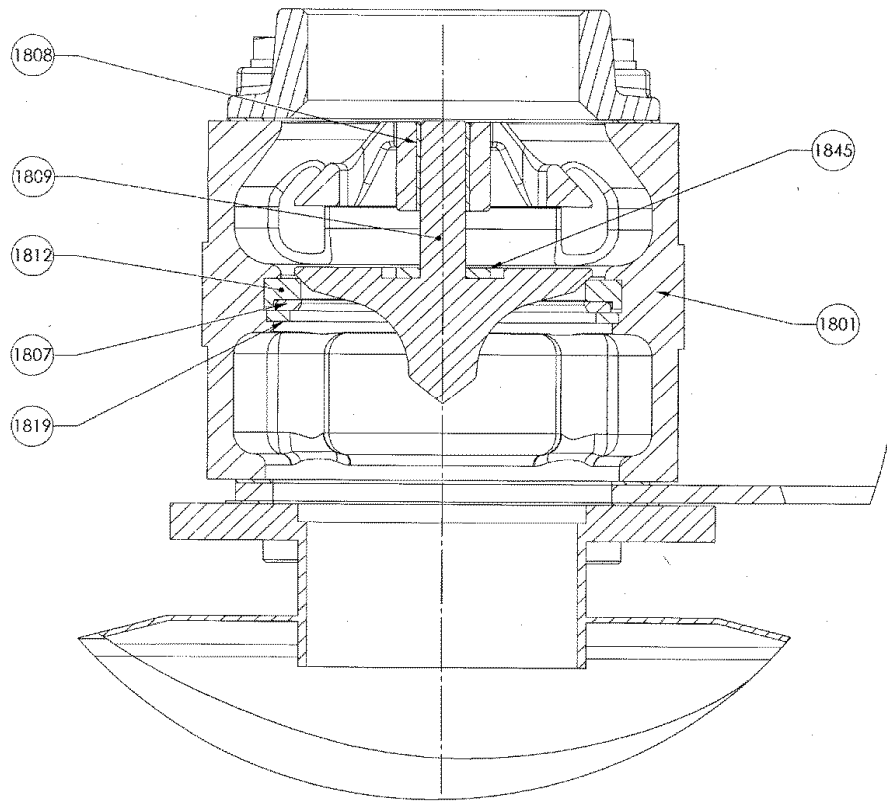
ACCESSORIES

Check and relief valve - Silencer

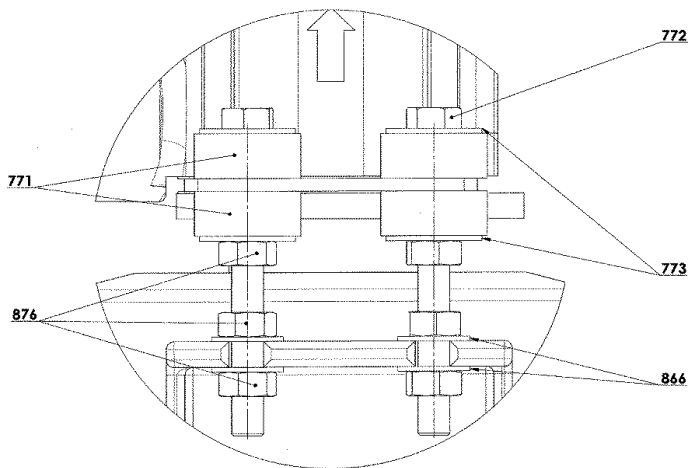


ACCESSORIES

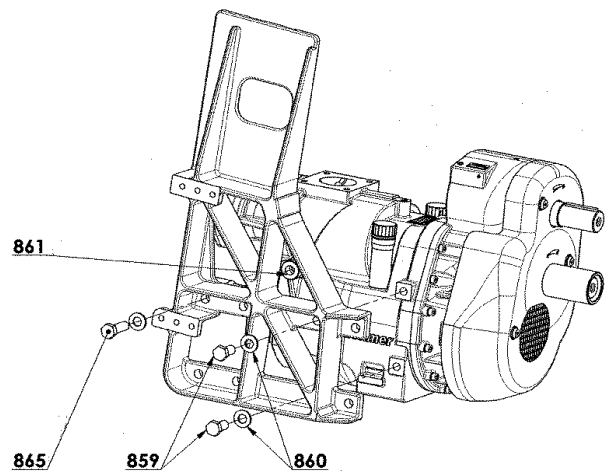
Check and relief valve



Vibration pad



Fastening kit



TYPHON II LS DDNC

* 1, 2, 4... : Quantity in equipment - (1), (2), (4)... : Quantity in kit

** Not shown on drawings

Item	Available	Description	Qty*	Ref.	Maintenance kit	Wear part
124	◆	COMPLETE TORQUE LIMITER 950 NM	1	AUX312548	■	●
124	◆	COMPLETE TORQUE LIMITER 800 NM	1	AUX317145	■	●
500	◆	HOLDER LS DDNC	1	AUX225865		
591	◆	LS DDNC CHECK VALVE SILENCER ASSEMBLY	1	AUX314662		
119	◆	SILENCER	1	AUX230485		
134	◆	VALVE ASSEMBLY FOR LS DDNC	1	AUX314659		
1801		CHECK VALVE CASING	(1)			
1807		WASHER	(1)			
1808		BUSH	(1)			
1809		VALVE	(1)			
1812		SEAL	(1)			
1819		CIRCLIPS	(1)			
1830	◆	FLANGE 2.5" BSP	1	AUX227439		
1845		WASHER	(1)			
635	◆	FASTENING KIT SILENCER LS DDNC	1	AUX315073		
525	◆	GASKET	2	AUX219281		
759		SEAL WASHER	(1)			
760	◆	GASKET	1	AUX219281		
765		SCREW	(4)			
777		WASHER	(4)			
905		STUD	(1)			
906		STUD	(3)			
907		WASHER	(8)			
908		NUT	(4)			
909		BRACKET	(1)			
910		SCREW	(4)			
1816	◆	GASKET	2	AUX219281	■	
758		SILENCER CONNECTOR	(1)			
769	◆	PLUG	1	AUX225866		
778	◆	COMPLETE RELIEF VALVE 2.3 BAR	1	AUX313494	■	
778	◆	COMPLETE RELIEF VALVE 2 BAR	1	AUX313477	■	
759		SEAL WASHER	(1)			
761		RELIEF VALVE	(1)			●
849	◆	TYPHON II N 13R-15L/	1			
849	◆	TYPHON II N 19R-22L/	1			
849	◆	TYPHON II N 20R/	1			
849	◆	TYPHON II N 30R/	1			
911	◆	VIBRATION PADS ASSEMBLY	2	AUX314673		
771	◆	VIBRATION PAD	2	AUX222943	■	●
772		SCREW	(1)			
773		WASHER	(2)			
866		WASHER	(2)			
876		NUT	(3)			
1213	◆	FASTENING KIT	1	AUX315060		
859		SCREW	(4)			
860		WASHER	(4)			

TYPHON II LS DDNC

* 1, 2, 4... : Quantity in equipment - (1), (2), (4)... : Quantity in kit

** Not shown on drawings

Item	Available	Description	Qty*	Ref.	Maintenance kit	Wear part
776	◆	TYPHON II LS DDNC SUCTION ASSEMBLY	1	AUX314668		
864	◆	LS DDNC SUCTION ASSEMBLY	1	AUX314665		
251	◆	BRACKET	1	AUX225864		
255		SCREW	(4)			
256		WASHER	(4)			
258A	◆	POWERCORE FILTER	1	AUX225619		
536**	◆	FILTER ELEMENT LS DDNC	1	AUX225827	■	●
456		SCREW	(4)			
457		WASHER	(4)			
588	◆	RESTRICTION INDICATOR ASSEMBLY	1	AUX314669	■	
158		RESTRICTION INDICATOR	(1)			
377		BRACKET	(1)			
393		CONNECTOR	(1)			
408		WASHER	(2)			
438		SCREW	(2)			
574		HOSE	(1)			
578		ELBOW 90°	(1)			
1878		ADAPTATER	(1)			
960	◆	SUCTION COVER ASSEMBLY	1	AUX315087		
961	◆	SUCTION COVER FASTENING ASSEMBLY LS DDNC	1	AUX315086		
962		RING	(4)			
963		SPACER	(4)			
964		SCREW	(4)			
965		WASHER	(4)			
966		NUT	(4)			
967		SUCTION COVER	(1)			
968		PLATE	(2)			
1208	◆	CONNECTION KIT FOR FILTER LS DDNC	1	AUX315062		
166		HOSE CLAMP	(2)			
884		STRAIGHT HUMP	(1)			
997	◆	CONNECTION KIT	1	AUX314670		
264		FILTER ELBOW	(1)			
535	◆	GASKET	1	AUX215088	■	
548		SCREW	(4)			
749		SILENCER	(1)			
750	◆	SEAL	1	AUX206692		
751	◆	STUD	1	AUX217239		
752		WASHER	(1)			
753		BLIND NUT	(1)			
863		WASHER	(4)			

MISTRAL LS DDNC

* 1, 2, 4... : Quantity in equipment - (1), (2), (4)... : Quantity in kit

** Not shown on drawings

Item	Available	Description	Qty*	Ref.	Maintenance kit	Wear part
124	◆	COMPLETE TORQUE LIMITER 800 NM	1	AUX317145	■	●
500	◆	HOLDER LS DDNC	1	AUX225865		
591	◆	LS DDNC CHECK VALVE SILENCER ASSEMBLY	1	AUX314662		
119	◆	SILENCER	1	AUX230485		
134	◆	VALVE ASSEMBLY FOR LS DDNC	1	AUX314659		
1801		CHECK VALVE CASING	(1)			
1807		WASHER	(1)			
1808		BUSH	(1)			
1809		VALVE	(1)			
1812		SEAL	(1)			
1819		CIRCLIPS	(1)			
1830	◆	FLANGE 2.5" BSP	1	AUX227439		
1845		WASHER	(1)			
635	◆	FASTENING KIT SILENCER LS DDNC	1	AUX315073		
525	◆	GASKET	2	AUX219281		
759		SEAL WASHER	(1)			
760	◆	GASKET	1	AUX219281		
765		SCREW	(4)			
777		WASHER	(4)			
905		STUD	(1)			
906		STUD	(3)			
907		WASHER	(8)			
908		NUT	(4)			
909		BRACKET	(1)			
910		SCREW	(4)			
1816	◆	GASKET	2	AUX219281	■	
758		SILENCER CONNECTOR	(1)			
769	◆	PLUG	1	AUX225866		
778	◆	COMPLETE RELIEF VALVE 2.3 BAR	1	AUX313494	■	
778	◆	COMPLETE RELIEF VALVE 2 BAR	1	AUX313477	■	
759		SEAL WASHER	(1)			
761		RELIEF VALVE	(1)			●
849	◆	MISTRAL N 13R-15L/	1			
849	◆	MISTRAL N 19R-22L/	1			
849	◆	MISTRAL N 20R/	1			
849	◆	MISTRAL N 30R/	1			
911	◆	VIBRATION PADS ASSEMBLY	2	AUX314673		
771	◆	VIBRATION PAD	2	AUX222943	■	●
772		SCREW	(1)			
773		WASHER	(2)			
866		WASHER	(2)			
876		NUT	(3)			
1213	◆	FASTENING KIT	1	AUX315060		
859		SCREW	(4)			
860		WASHER	(4)			

MISTRAL LS DDNC

* 1, 2, 4... : Quantity in equipment - (1), (2), (4)... : Quantity in kit

** Not shown on drawings

Item	Available	Description	Qty*	Ref.	Maintenance kit	Wear part
776	◆	MISTRAL LS DDNC SUCTION ASSEMBLY	1	AUX314667		
864	◆	LS DDNC SUCTION ASSEMBLY	1	AUX314665		
251	◆	BRACKET	1	AUX225864		
255		SCREW	(4)			
256		WASHER	(4)			
258A	◆	POWERCORE FILTER	1	AUX225619		
536**	◆	FILTER ELEMENT LS DDNC	1	AUX225827	■	●
456		SCREW	(4)			
457		WASHER	(4)			
588	◆	RESTRICTION INDICATOR ASSEMBLY	1	AUX314669	■	
158		RESTRICTION INDICATOR	(1)			
377		BRACKET	(1)			
393		CONNECTOR	(1)			
408		WASHER	(2)			
438		SCREW	(2)			
574		HOSE	(1)			
578		ELBOW 90°	(1)			
1878		ADAPTATER	(1)			
960	◆	SUCTION COVER ASSEMBLY	1	AUX315087		
961	◆	SUCTION COVER FASTENING ASSEMBLY LS DDNC	1	AUX315086		
962		RING	(4)			
963		SPACER	(4)			
964		SCREW	(4)			
965		WASHER	(4)			
966		NUT	(4)			
967		SUCTION COVER	(1)			
968		PLATE	(2)			
1208	◆	CONNECTION KIT FOR FILTER LS DDNC	1	AUX315062		
166		HOSE CLAMP	(2)			
884		STRAIGHT HUMP	(1)			
997	◆	CONNECTION KIT	1	AUX314672		
264		FILTER ELBOW	(1)			
535	◆	GASKET	1	AUX215088	■	
548		SCREW	(4)			
749		SILENCER	(1)			
750	◆	SEAL	1	AUX206692		
751	◆	STUD	1	AUX217239		
752		WASHER	(1)			
753		BLIND NUT	(1)			
863		WASHER	(4)			
1011	◆	SPACER FLANGE MISTRAL	1	AUX223059		
1012	◆	GASKET	1	AUX219281	■	
1013		SCREW	(2)			
1015		WASHER	(2)			
1019		SCREW	(2)			
1020		WASHER	(2)			

B600 LS DDNC

* 1, 2, 4... : Quantity in equipment - (1), (2), (4)... : Quantity in kit

** Not shown on drawings

Item	Available	Description	Qty*	Ref.	Maintenance kit	Wear part
124	◆	COMPLETE TORQUE LIMITER 800 NM	1	AUX317145	■	●
500	◆	HOLDER LS DDNC	1	AUX225865		
591	◆	LS DDNC CHECK VALVE SILENCER ASSEMBLY	1	AUX314662		
119	◆	SILENCER	1	AUX230485		
134	◆	VALVE ASSEMBLY FOR LS DDNC	1	AUX314659		
1801		CHECK VALVE CASING	(1)			
1807		WASHER	(1)			
1808		BUSH	(1)			
1809		VALVE	(1)			
1812		SEAL	(1)			
1819		CIRCLIPS	(1)			
1830	◆	FLANGE 2.5" BSP	1	AUX227439		
1845		WASHER	(1)			
635	◆	FASTENING KIT SILENCER LS DDNC	1	AUX315073		
525	◆	GASKET	2	AUX219281		
759		SEAL WASHER	(1)			
760	◆	GASKET	1	AUX219281		
765		SCREW	(4)			
777		WASHER	(4)			
905		STUD	(1)			
906		STUD	(3)			
907		WASHER	(8)			
908		NUT	(4)			
909		BRACKET	(1)			
910		SCREW	(4)			
1816	◆	GASKET	2	AUX219281	■	
758		SILENCER CONNECTOR	(1)			
769	◆	PLUG	1	AUX225866		
778	◆	COMPLETE RELIEF VALVE 2.3 BAR	1	AUX313494	■	
778	◆	COMPLETE RELIEF VALVE 2 BAR	1	AUX313477	■	
759		SEAL WASHER	(1)			
761		RELIEF VALVE	(1)			●
849	◆	B600 N 13R-15L/	1			
849	◆	B600 N 19R-22L/	1			
849	◆	B600 N 20R/	1			
849	◆	B600 N 30R/	1			
911	◆	VIBRATION PADS ASSEMBLY	2	AUX314673		
771	◆	VIBRATION PAD	2	AUX222943	■	●
772		SCREW	(1)			
773		WASHER	(2)			
866		WASHER	(2)			
876		NUT	(3)			
1213	◆	FASTENING KIT	1	AUX315061		
859		SCREW	(2)			
860		WASHER	(3)			
861	◆	SPACER	1	AUX223134		
865		SCREW	(1)			

B600 LS DDNC

* 1, 2, 4... : Quantity in equipment - (1), (2), (4)... : Quantity in kit

** Not shown on drawings

Item	Available	Description	Qty*	Ref.	Maintenance kit	Wear part
776	◆	B600 LS DDNC SUCTION ASSEMBLY	1	AUX314666		
864	◆	LS DDNC SUCTION ASSEMBLY	1	AUX314665		
251	◆	BRACKET	1	AUX225864		
255		SCREW	(4)			
256		WASHER	(4)			
258A	◆	POWERCORE FILTER	1	AUX225619		
536**	◆	FILTER ELEMENT LS DDNC	1	AUX225827	■	●
456		SCREW	(4)			
457		WASHER	(4)			
588	◆	RESTRICTION INDICATOR ASSEMBLY	1	AUX314669	■	
158		RESTRICTION INDICATOR	(1)			
377		BRACKET	(1)			
393		CONNECTOR	(1)			
408		WASHER	(2)			
438		SCREW	(2)			
574		HOSE	(1)			
578		ELBOW 90°	(1)			
1878		ADAPTATER	(1)			
960	◆	SUCTION COVER ASSEMBLY	1	AUX315087		
961	◆	SUCTION COVER FASTENING ASSEMBLY LS DDNC	1	AUX315086		
962		RING	(4)			
963		SPACER	(4)			
964		SCREW	(4)			
965		WASHER	(4)			
966		NUT	(4)			
967		SUCTION COVER	(1)			
968		PLATE	(2)			
1208	◆	CONNECTION KIT FOR FILTER LS DDNC	1	AUX315062		
166		HOSE CLAMP	(2)			
884		STRAIGHT HUMP	(1)			
997	◆	CONNECTION KIT	1	AUX314671		
264		FILTER ELBOW	(1)			
535	◆	GASKET	1	AUX215088	■	
548		SCREW	(4)			
749		SILENCER	(1)			
750	◆	SEAL	1	AUX206692		
751	◆	STUD	1	AUX217239		
752		WASHER	(1)			
753		BLIND NUT	(1)			
863		WASHER	(4)			
1011	◆	SPACER FLANGE B600	1	AUX223058		
1012	◆	GASKET	1	AUX219281	■	
1013		SCREW	(2)			
1015		WASHER	(2)			
1019		SCREW	(2)			
1020		WASHER	(2)			