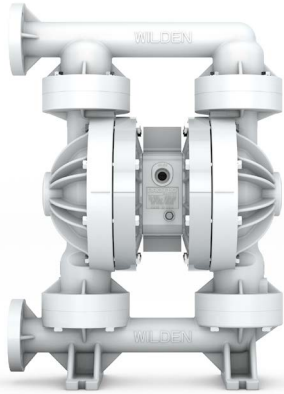


PS400 PLASTIC PUMP

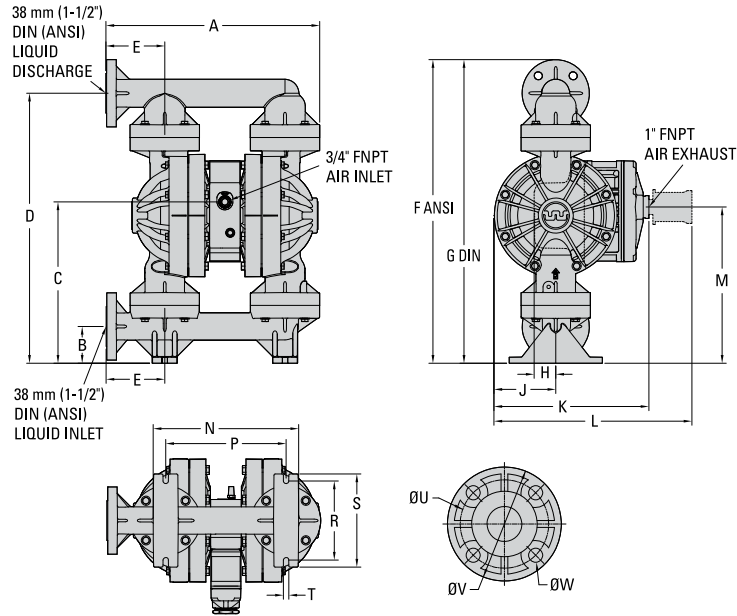
**38 mm (1-1/2") Pump
Maximum Flow Rate:
458 lpm (121 gpm)**



PS400 PLASTIC

DIMENSIONAL DRAWING

PS400 Polypropylene



DIMENSIONS

ITEM	METRIC (mm)	STANDARD (inch)
A	476	18.8
B	82	3.2
C	360	14.2
D	602	23.7
E	131	5.2
F	665	26.2
G	677	26.6
H	48	1.9
J	138	5.4
K	345	13.6
L	441	17.4
M	348	13.7
N	324	12.8
P	268	10.6
R	176	6.9
S	208	8.2
T	12	0.5
DIN FLANGE		
U	110 DIA.	4.3 DIA.
V	150 DIA.	5.9 DIA.
W	18 DIA.	0.7 DIA.
ANSI FLANGE		
U	98 DIA.	3.9 DIA.
V	127 DIA.	5.0 DIA.
W	16 DIA.	0.6 DIA.

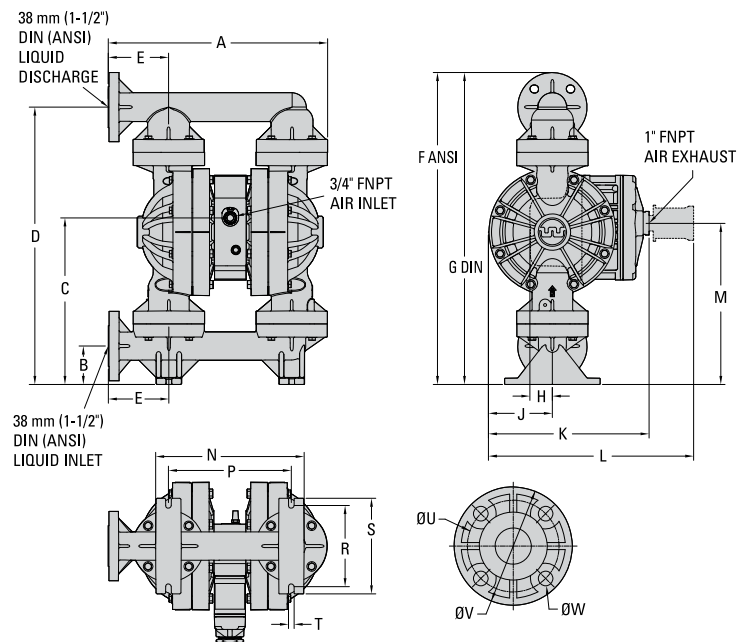
LW0195 REV. B

PUMP DATA

Specifications:

- Ship Weight.....Polypropylene 28 kg (62 lb)
PVDF 32 kg (70 lb)
- Conductive Polypropylene 30 kg (67 lb)
Conductive PVDF 34 kg (76 lb)
- Air Inlet.....3/4"
- Liquid Inlet.....38 mm (1-1/2")
- Liquid Outlet.....38 mm (1-1/2")

PS400 PVDF



DIMENSIONS

ITEM	METRIC (mm)	STANDARD (inch)
A	471	18.5
B	83	3.2
C	358	14.1
D	596	23.4
E	130	5.1
F	659	25.9
G	670	26.4
H	48	1.9
J	137	5.4
K	345	13.6
L	441	17.3
M	346	13.6
N	319	12.6
P	264	10.4
R	174	6.9
S	205	8.1
T	12	0.5
DIN FLANGE		
U	110 DIA.	4.3 DIA.
V	149 DIA.	5.9 DIA.
W	18 DIA.	0.7 DIA.
ANSI FLANGE		
U	98 DIA.	3.9 DIA.
V	127 DIA.	5.0 DIA.
W	16 DIA.	0.6 DIA.

LW0196 REV. B



22069 Van Buren Street
Grand Terrace, CA 92313-5607 USA
O: +1 (909) 422-1730 F: +1 (909) 783-3440
www.psgdover.com



PERFORMANCE

**PS400 PLASTIC
FULL-STROKE PTFE-FITTED**

Max. Flow Rate.....447 lpm (118 gpm)
 Max. Inlet Pressure8.6 bar (125 psig)
 Max. Solids Passage..... 6.4 mm (1/4")
 Max. Suction Lift5.6 m Dry (18.4')
 9.0 m Wet (29.5')

