

**PS4 HYGIENIC SERIES METAL PUMP**

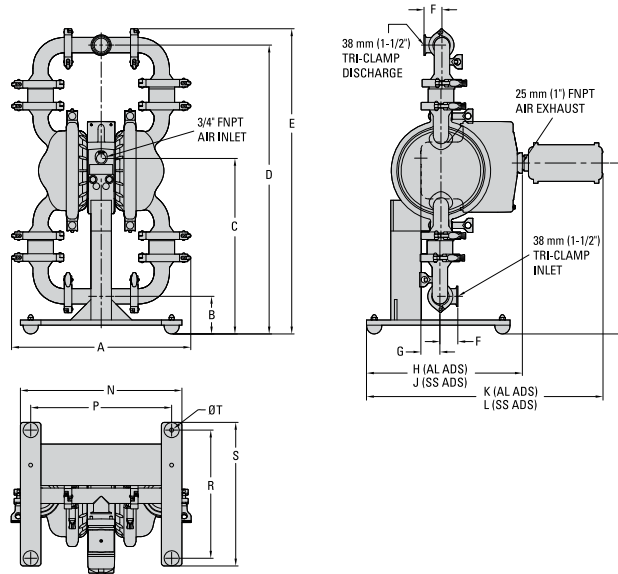
**38 mm (1-1/2") Pump**  
**Maximum Flow Rate:**  
**357 lpm (94.4 gpm)**



**PS4 HS METAL**

**DIMENSIONAL DRAWING**

**PS4 Saniflo™ HS Vertically-Mounted, Center-Ported with Ball/Mushroom Valve, Fixed Stand**



**DIMENSIONS**

ITEM	METRIC (mm)	STANDARD (inch)
A	440	17.5
B	93	3.7
C	435	17.1
D	716	28.2
E	757	29.8
F	45	1.8
G	47	1.9
H	386	15.2
J	380	15.0
K	586	23.1
L	580	22.9
M	423	16.7
N	400	15.8
P	349	13.8
R	318	12.5
S	356	14.0
T	Ø10	Ø0.4

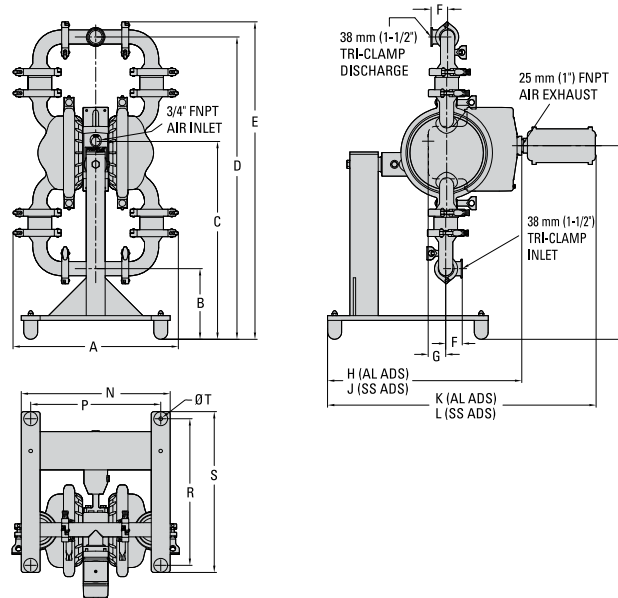
LW0242 REV. C

**PUMP DATA**

**Specifications:**

- Ship Weight
- 316L Stainless Steel..... 51 kg (112 lb.)
- Alloy C..... 56 kg (123 lb.)
- Air Inlet ..... 19 mm (3/4")
- Inlet..... 38 mm (1-1/2")
- Outlet..... 38 mm (1-1/2")

**PS4 Saniflo™ HS Vertically-Mounted, Center-Ported with Ball/Mushroom Valve, Swivel Stand**



**DIMENSIONS**

ITEM	METRIC (mm)	STANDARD (inch)
A	440	17.5
B	190	7.5
C	531	20.9
D	812	32.0
E	853	33.6
F	45	1.8
G	47	1.9
H	522	20.5
J	514	20.3
K	721	28.4
L	715	28.2
M	520	20.5
N	400	15.8
P	349	13.8
R	394	15.5
S	432	17.0
T	Ø10	Ø0.4

LW0243 REV. C

**PS4 HYGIENIC SERIES METAL PUMP**

**PERFORMANCE**