

## PS2 HYGIENIC SERIES METAL PUMP

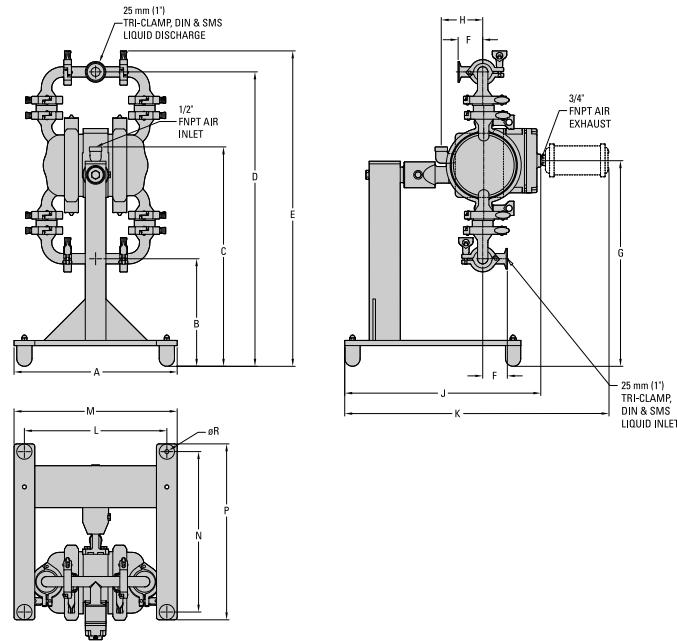
**25 mm (1") Pump**  
**Maximum Flow Rate:**  
**121 lpm (32 gpm)**



**PS2 HS METAL**

### DIMENSIONAL DRAWING

#### PS2 Saniflo™ HS, Swivel



### DIMENSIONS

ITEM	METRIC (mm)	STANDARD (inch)
A	401	15.8
B	264	10.4
C	538	21.2
D	721	28.4
E	775	30.5
F	61	2.4
G	505	19.9
H	104	4.1
J	480	18.9
K	648	25.5
L	351	13.8
M	401	15.8
N	394	15.5
P	432	17.0
R	ø10	ø.4

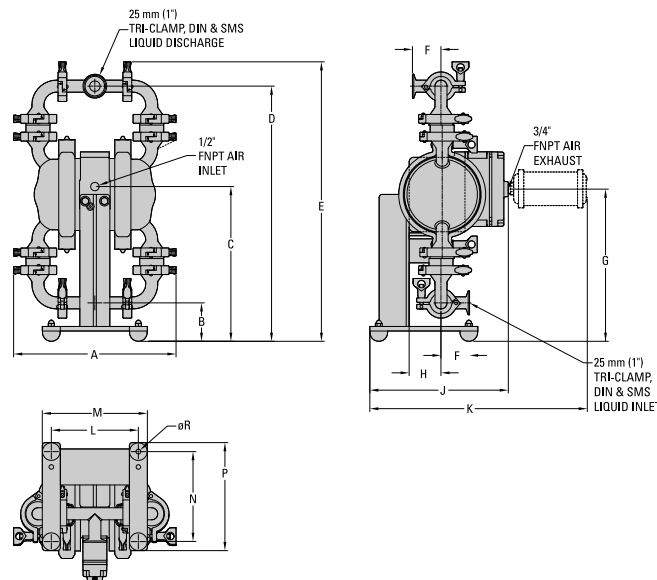
LW0436 REV. A

### PUMP DATA

**Specifications:**

Ship Weight..... 40 kg (80 lb)  
 Air Inlet ..... 1/2"  
 Inlet..... 25 mm (1")  
 Outlet..... 25 mm (1")

#### PS2 Saniflo™ HS, Vertically-Mounted, Fixed



### DIMENSIONS

ITEM	METRIC (mm)	STANDARD (inch)
A	343	13.5
B	81	3.2
C	327	12.9
D	540	21.3
E	591	23.3
F	61	2.4
G	322	12.7
H	69	2.7
J	292	11.5
K	460	18.1
L	185	7.3
M	224	8.8
N	191	7.5
P	229	9.0
R	ø10	ø0.4

LW0435 REV. A

**PS2 HYGIENIC SERIES METAL PUMP**

**PERFORMANCE**