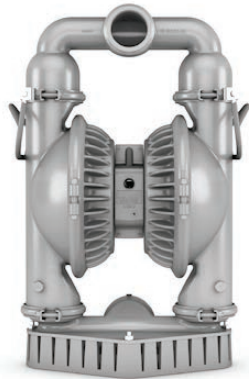


**PS15 STALLION® METAL PUMP**

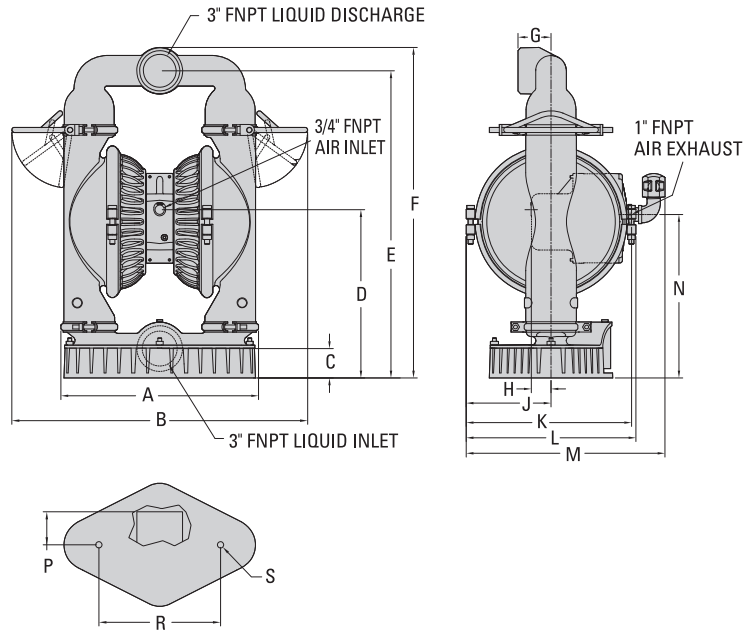
**76 mm (3") Pump**  
**Maximum Flow Rate:**  
**764 lpm (202 gpm)**



**PS15 STALLION**

**DIMENSIONAL DRAWING**

**PS15 Stallion Metal**



**DIMENSIONS**

ITEM	METRIC (mm)	STANDARD (inch)
A	495	19.5
B	742	29.2
C	74	2.9
D	422	16.6
E	770	30.3
F	828	32.6
G	84	3.3
H	48	1.9
J	213	8.4
K	414	16.3
L	424	16.7
M	498	19.6
N	409	16.1
P	84	3.3
R	305	12.0
S	15 DIA.	0.6 DIA.

LW0263 REV. B

**PUMP DATA**

**Specifications:**

Ship Weight..... Aluminum 63 kg (138 lb)  
Air Inlet ..... 19 mm (3/4")  
Inlet..... 76 mm (3")  
Outlet..... 76 mm (3")

