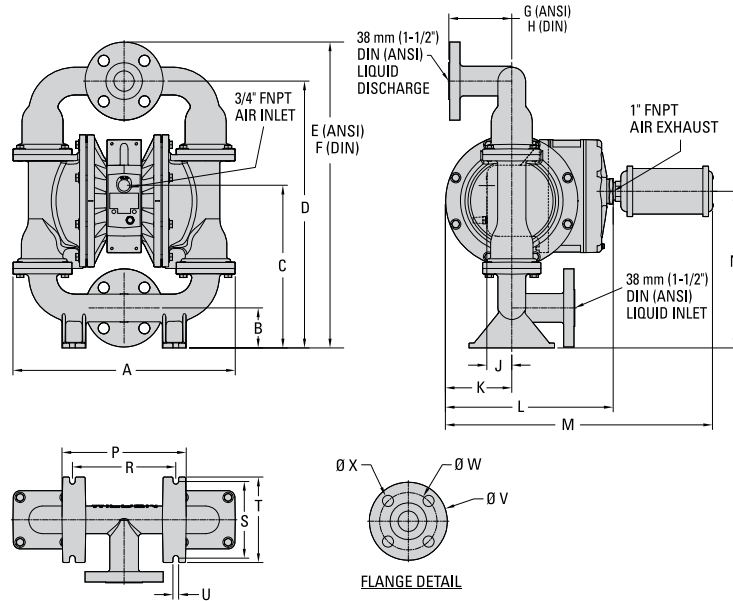


HS430S HIGH-PRESSURE METAL PUMP

38 mm (1-1/2") Pump
Maximum Flow Rate:
280 lpm (74 gpm)

DIMENSIONAL DRAWING

HS430S Aluminum



DIMENSIONS

ITEM	METRIC (mm)	STANDARD (inch)
A	442	17.4
B	80	3.1
C	324	12.7
D	531	20.9
E	609	24.0
F	606	23.9
G	125	4.9
H	122	4.8
J	50	2.0
K	132	5.2
L	334	13.1
M	531	20.9
N	312	12.3
P	247	9.7
R	206	8.1
S	152	6.0
T	170	6.7
U	11	0.4
	DIN (mm)	ANSI (Inch)
V	150 DIA.	6.1 DIA.
W	109 DIA.	4.5 DIA.
X	18 DIA.	0.9 DIA.

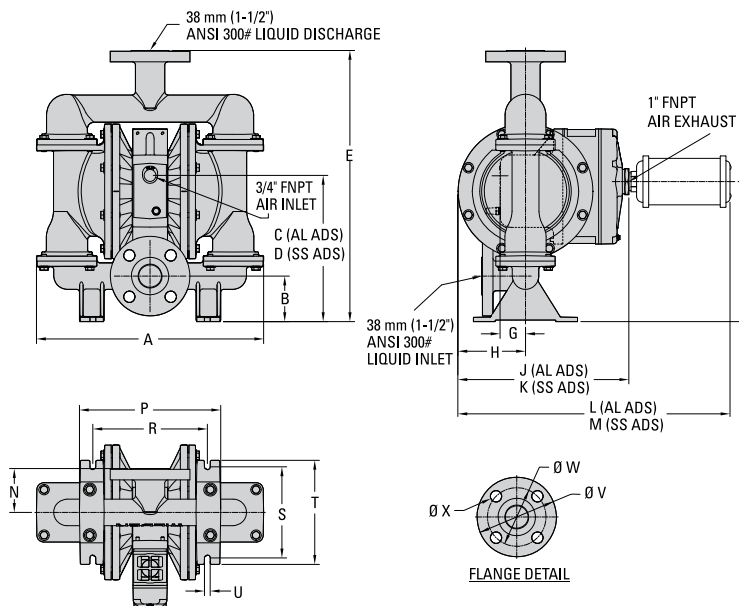
LW0317 REV. A

PUMP DATA

Specifications:

Ship Weight.....Aluminum 29 kg (64 lbs)
 Stainless Steel 55 kg (121 lbs)
 Air Inlet.....19 mm (3/4")
 Liquid Inlet.....38 mm (1-1/2")
 Liquid Outlet.....38 mm (1-1/2")

HS430S Stainless Steel



DIMENSIONS

ITEM	METRIC (mm)	STANDARD (inch)
A	443	17.5
B	89	3.5
C	285	11.2
D	292	11.5
E	529	20.8
F	273	10.8
G	50	2.0
H	132	5.2
J	334	13.1
K	321	12.7
L	531	20.9
M	519	20.4
N	86	3.4
P	276	10.9
R	224	8.8
S	178	7.0
T	203	8.0
U	11	0.4
	DIN DN 40	ANSI 300#
V	150 DIA.	6.1 DIA.
W	109 DIA.	4.5 DIA.
X	18 DIA.	0.9 DIA.

LW0293 REV. A

WILDEN®

22069 Van Buren Street
 Grand Terrace, CA 92313-5607 USA

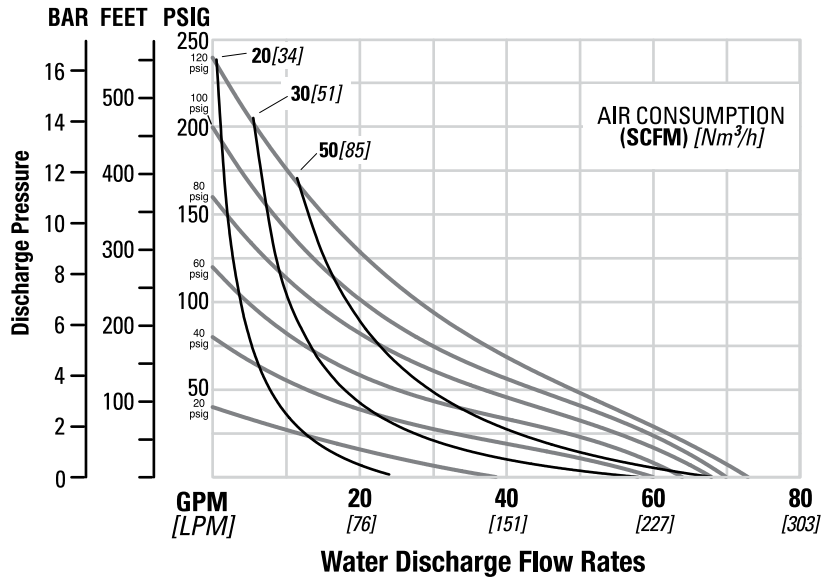
O: +1 (909) 422-1730 F: +1 (909) 783-3440
 www.psgdover.com

HS430S HIGH-PRESSURE METAL PUMP

PERFORMANCE

**HS430S ALUMINUM
TPE-FITTED**

Max. Flow Rate.....280 lpm (74 gpm)
 Max. Inlet Pressure8.6 bar (125 psig)
 Max. Solids Passage..... 6.4 mm (1/4")
 Max. Suction Lift.....2.0 m Dry (6.8')
 9.0 m Wet (29.5')



**HS430S STAINLESS STEEL
TPE-FITTED**

Max. Flow Rate.....264 lpm (70 gpm)
 Max. Inlet Pressure8.6 bar (125 psig)
 Max. Solids Passage..... 6.4 mm (1/4")
 Max. Suction Lift.....2.0 m Dry (6.8')
 9.0 m Wet (29.5')

