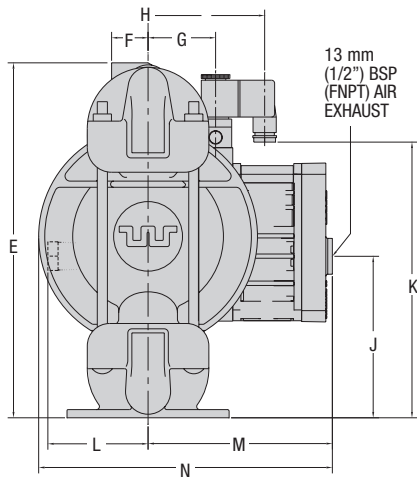
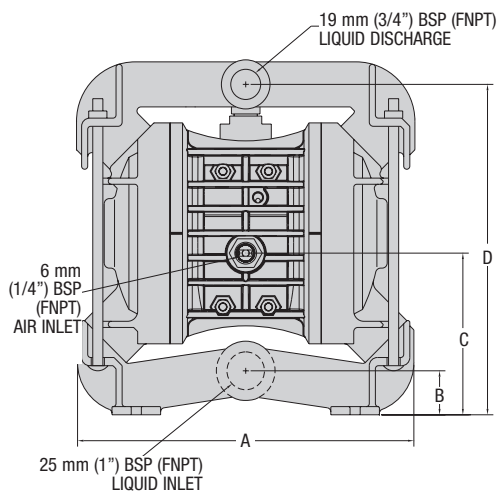


DIMENSIONAL DRAWING

A2P METAL ACCU-FLO™



DIMENSIONS

| ITEM | METRIC (mm) | STANDARD (inch) |
|------|-------------|-----------------|
| A | 267 | 10.5 |
| B | 36 | 1.4 |
| C | 124 | 4.9 |
| D | 254 | 10.0 |
| E | 279 | 11.0 |
| F | 28 | 1.1 |
| G | 53 | 2.1 |
| H | 91 | 3.6 |
| J | 124 | 4.9 |
| K | 213 | 8.4 |
| L | 76 | 3.0 |
| M | 142 | 5.6 |
| N | 229 | 9.0 |
| P | 211 | 8.3 |
| R | 173 | 6.8 |
| S | 107 | 4.2 |
| T | 127 | 5.0 |
| U | 33 | 1.3 |
| V | 8 | 0.3 |