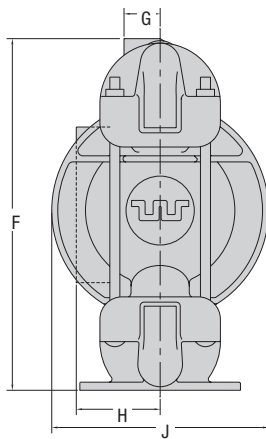
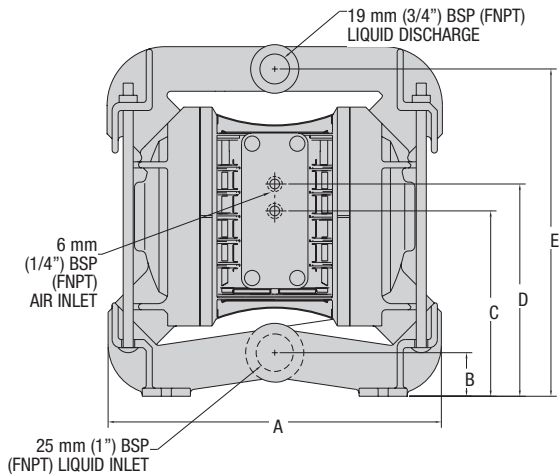


# DIMENSIONAL DRAWING

## A2B METAL (P-SERIES CENTER SECTION)



### DIMENSIONS

ITEM	METRIC (mm)	STANDARD (inch)
A	267	10.5
B	36	1.4
C	145	5.7
D	168	6.6
E	254	10.0
F	279	11.0
G	28	1.1
H	66	2.6
J	173	6.8
K	211	8.3
L	173	6.8
M	107	4.2
N	127	5.0
P	33	1.3
R	8	0.3

