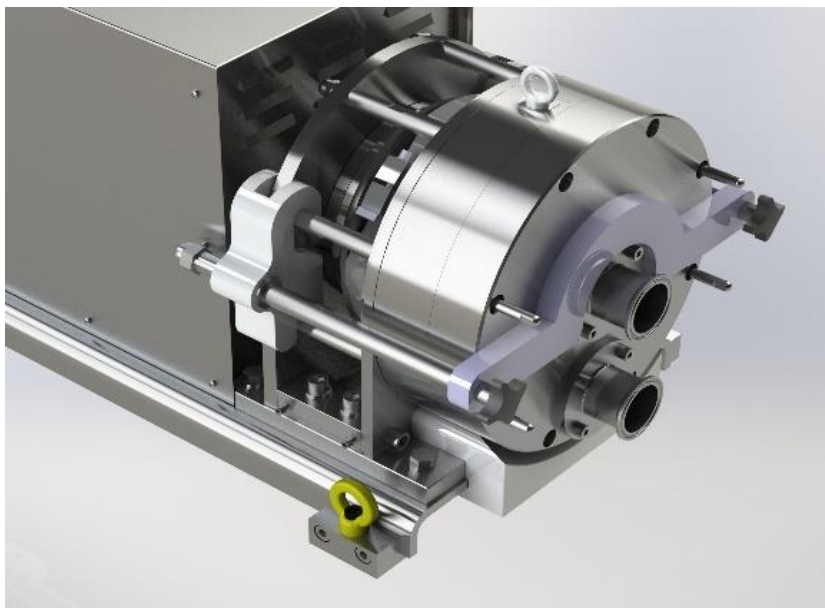


# Appendix to the Operating and Installation Instructions QF10K

## PQ10M – mounting aid for the pump chamber



Please read this manual carefully before start-up of the pump and take care of an appropriate instruction of the operating staff.

**Attention!**  
**Please regard the warning and safety advices!**

Original Instruction



# Contents

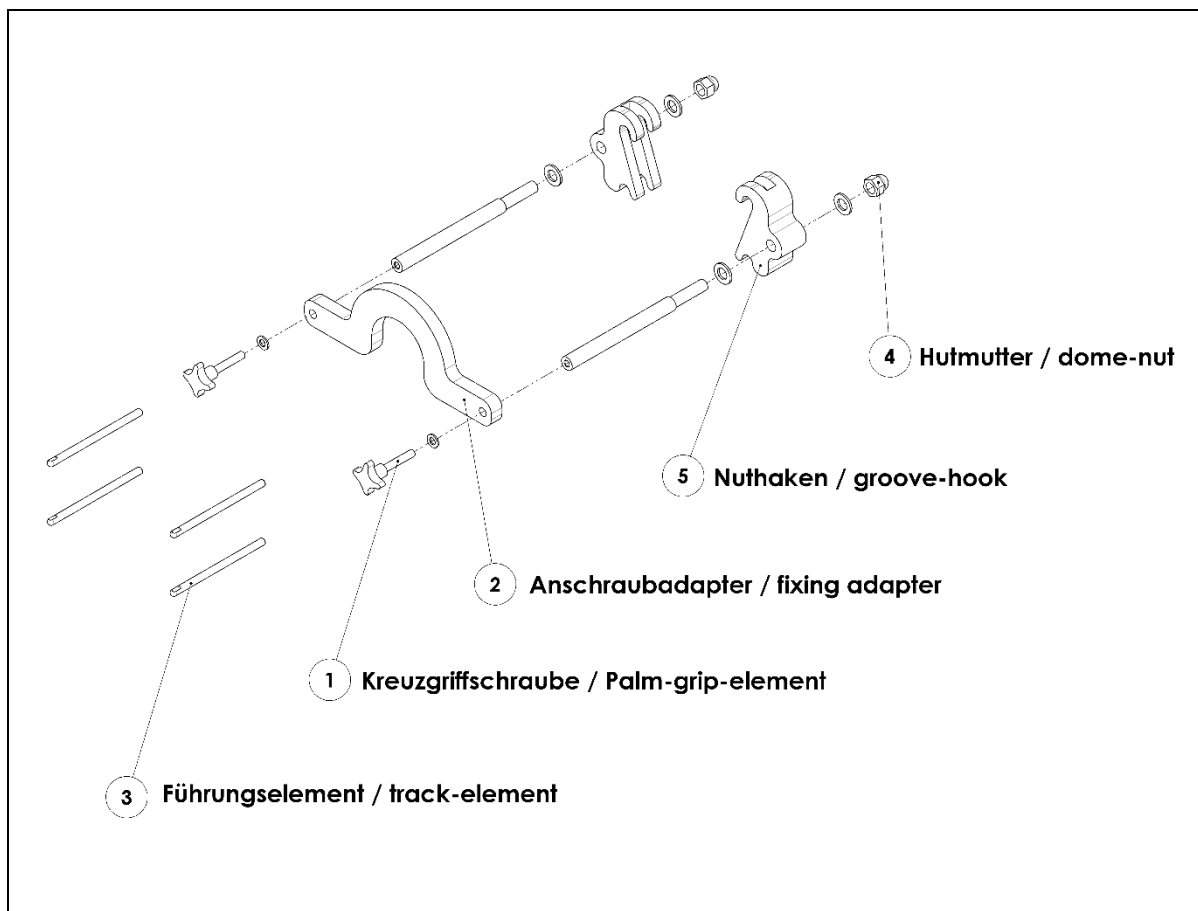
<b>1. General</b> .....	3
1.1 Introduction .....	3
1.2 Overview of the components .....	3
<b>2. Application</b> .....	4
2.1. Disassembly ring-drive-unit-housing .....	4
2.2. Assembly track-element.....	4
2.3. Assembly groove-hook.....	5
2.4. Installing pump chamber .....	5
2.5. Assembly adapter .....	6
2.6. Fixing in place pump chamber .....	6
2.7. Disassembly track-elements .....	7
2.8. Fasten pump chamber .....	7
2.9. Fasten clamp ring.....	8
2.10 Disassembly adapter.....	8
2.11 Assembly ring-drive-unit-housing.....	9

## 1. General remarks

### 1.1 Introduction

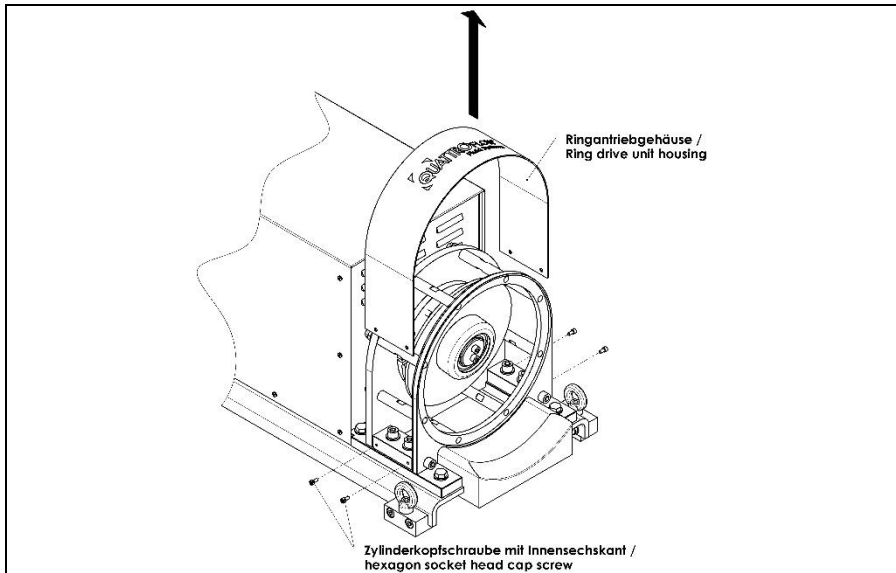
This instruction obtains only for the Usage of the mounting aid for the pump-chamber and is just an addition to the operating instruction of the pump.

### 1.2 Overview of the components



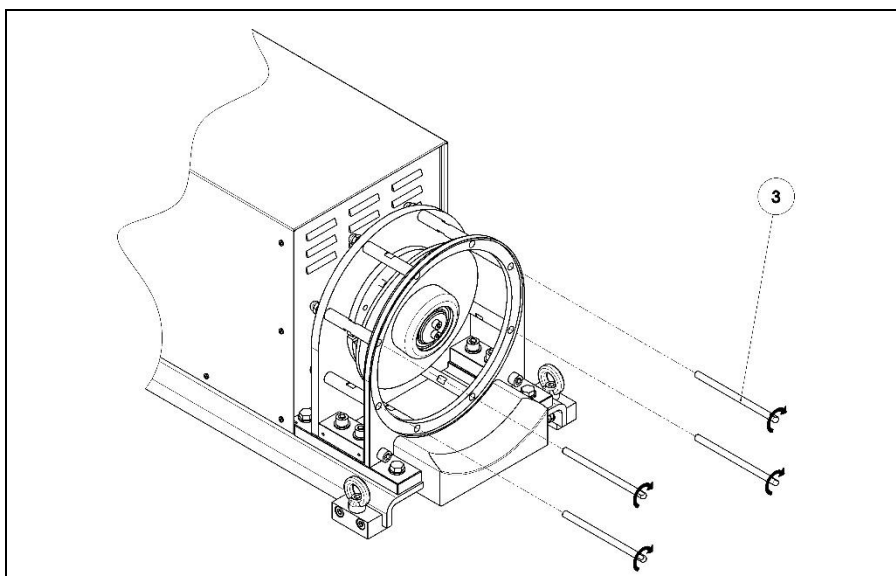
## 2. Using

### 2.1 Disassembly ring-drive-unit-housing



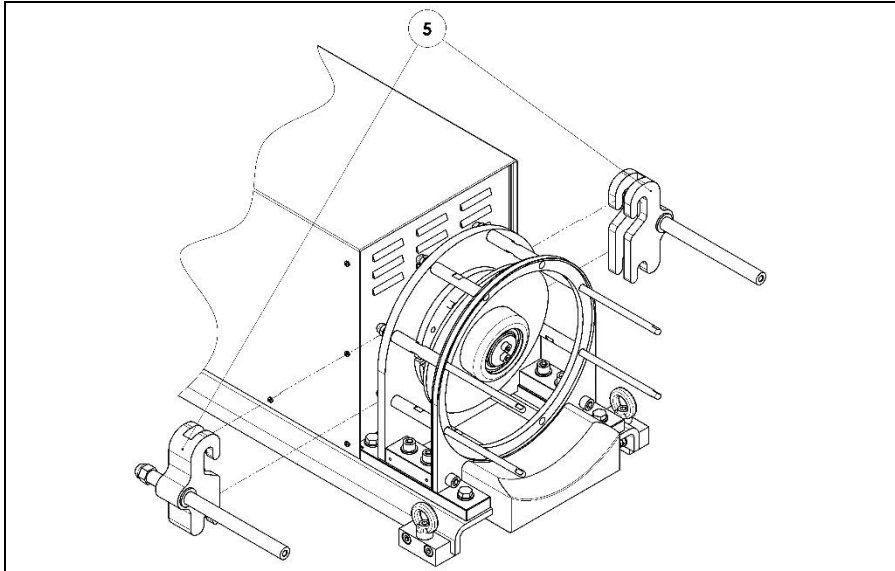
Lose the hexagon socket screw and disassemble the ring-drive-unit-housing up to the top.

### 2.2 Assembly track-units



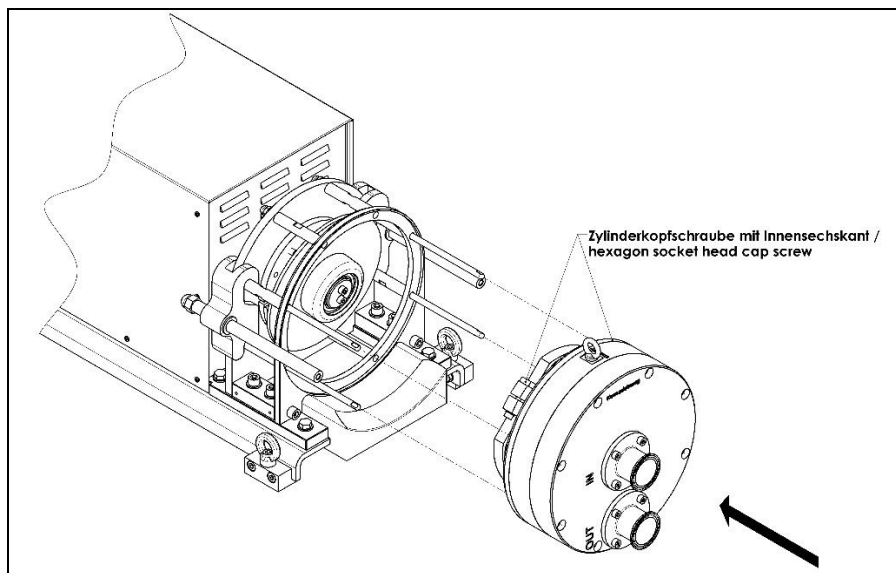
Screw in the track-units clockwise (item 3) into the thread holes of the ring-drive-unit.

## 2.3 Assembly groove-hooks



Hang in of the groove-hooks (item 5). Their grooves has to be on the standoffs/dome-nuts of the ring-drive-unit.

## 2.4 Installing pump chamber

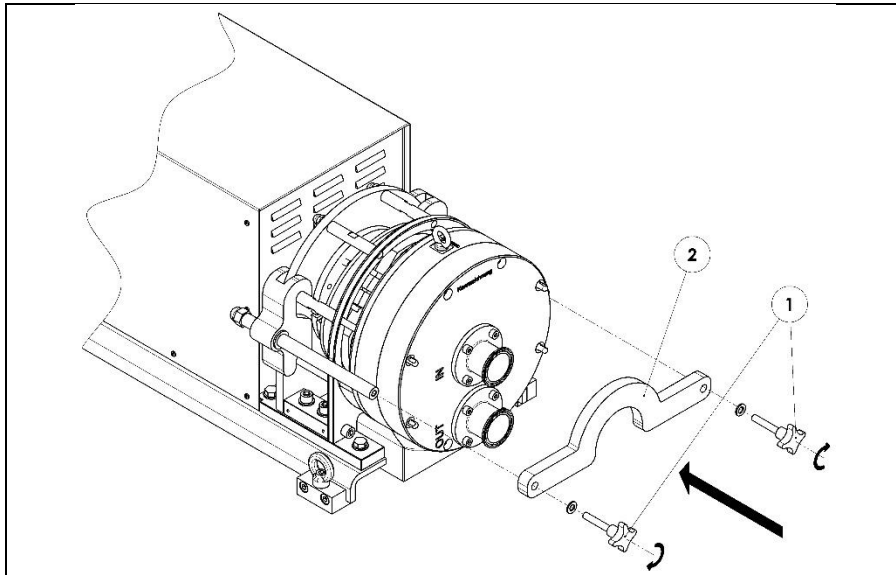


Before the pump-chamber can get connected to the ring-drive-unit, it has to be checked that the hexagon socket screws of the camp-ring are unfixed.

Push the pump-chamber onto the ring-drive-unit. Put the track-units (item 3) into the through-holes of the pump chamber.

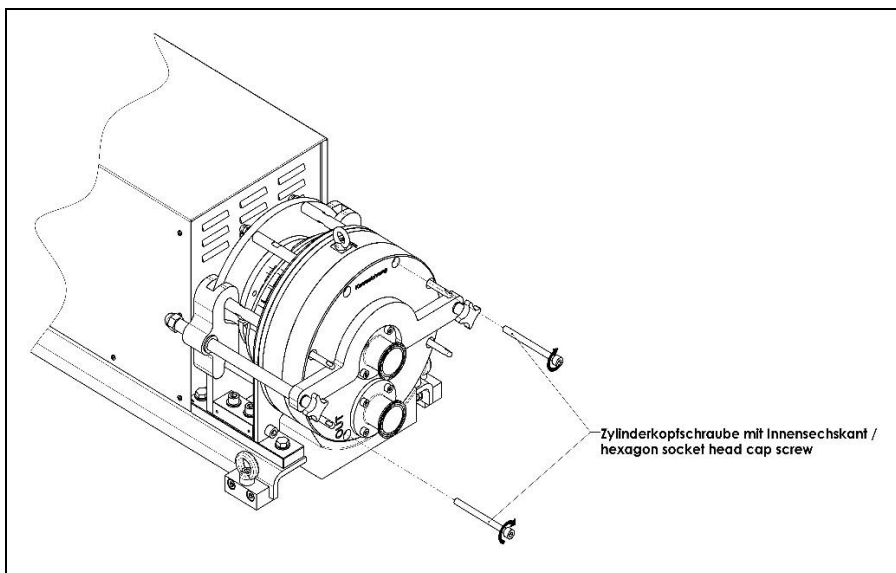
When single-use-pump-chambers are used, push after the pump-chamber the pressure-plate onto the track-units (item 3).

## 2.5 Assembly adapter



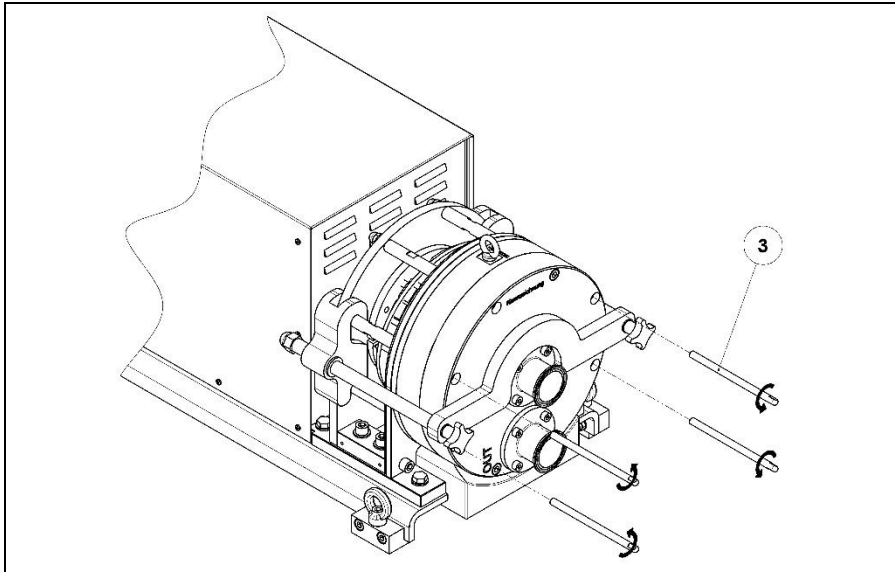
Use the adapter (item 2) and turn the palm-grip-screw (item 1) until the pump-chamber has contact to the ring-drive-unit.

## 2.6 Fixing pump-chamber



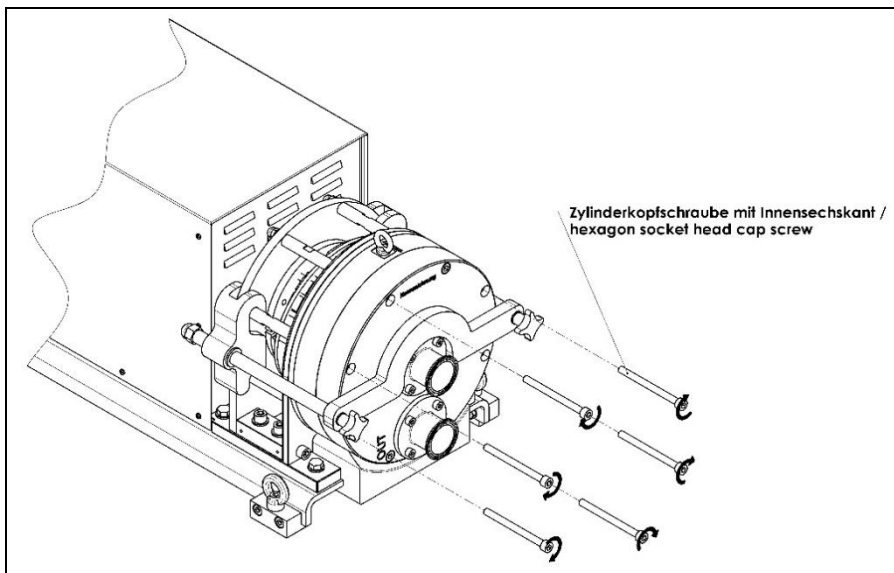
Fix the pump-chamber by screwing in two hexagon socket screws (hand-tight) into the standoffs of the ring-drive-unit.

## 2.7 Disassembly track-units



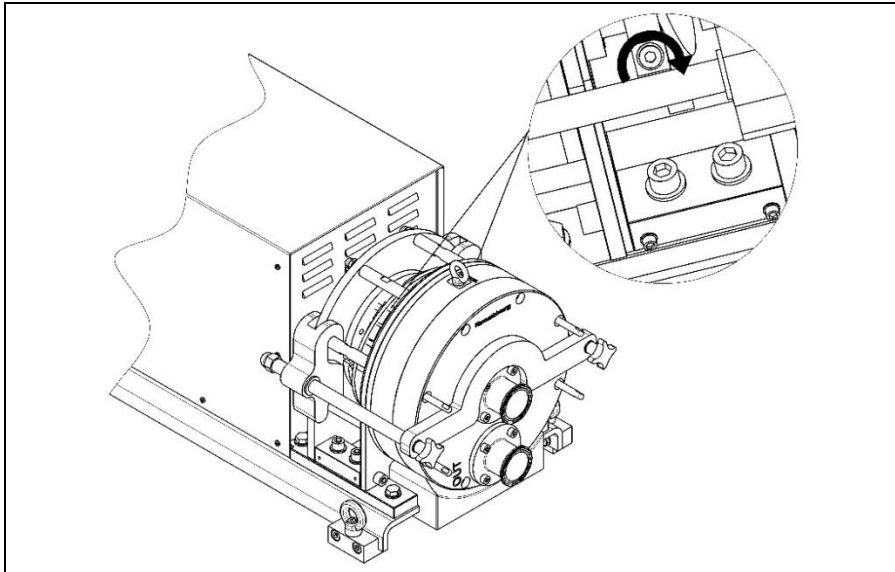
Remove the track-units (item 3).

## 2.8 Fasten pump chamber



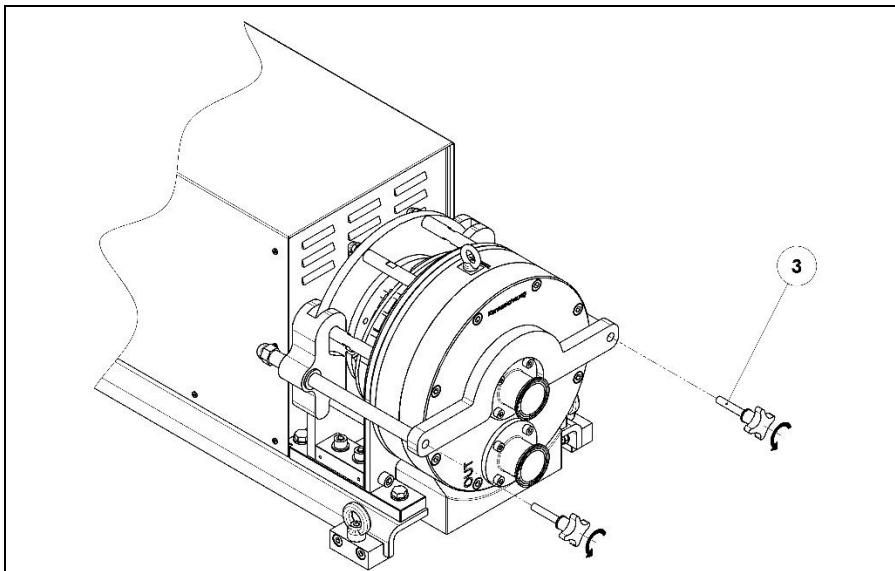
Fasten the pump-chamber by screwing in all the hexagon socket screws according to the prescribed torques.

## 2.9 Fasten clamp-ring



Fasten the clamp-ring by screwing in the two hexagon socket screws according to the prescribed torques.

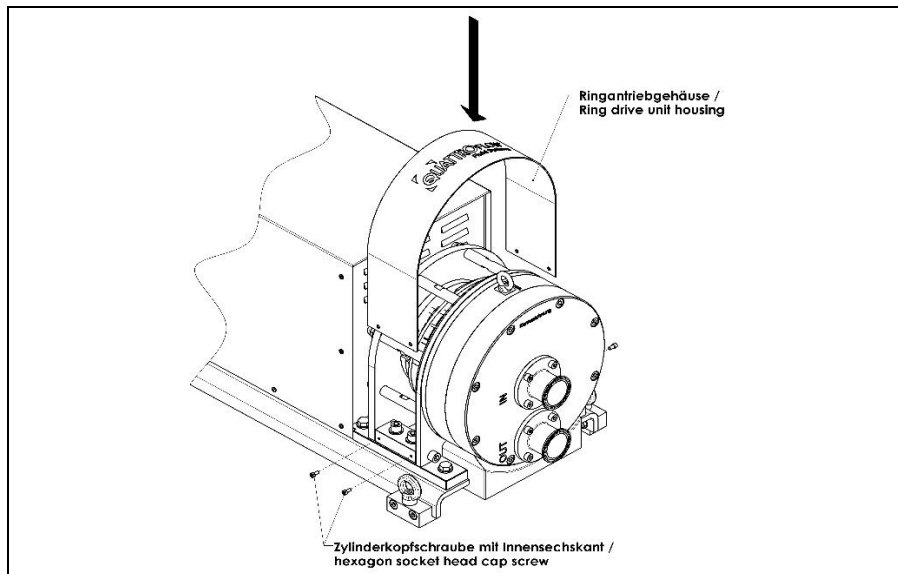
## 2.10 Disassembly mounting-aid



Unscrew the palm-grip-screw (item 1) to remove all parts of the mounting-aid.



## 2.11 Assembly ring-drive-unit-housing



Assemble the ring-drive-unit-housing and fasten it by screwing in the hexagon socket screws.