

**ATTENTION: TO INSURE SAFE AND EASY USE OF YOUR NEPTUNE MIXER,
READ THESE INSTRUCTIONS BEFORE USING.**

Description

Series F Mixers are designed for economical mixing of closed head steel drums. The mixer mounts on the drum lip providing the correct shaft angle through the 2" bung opening. The folding propeller collapses to allow entry through the 2" bung and opens when operating to provide thorough mixing. The unit can be conveniently moved from one container to another.



Figure 1 – Series F Mixer

Unpacking

When unpacking the mixer, check carefully for damage that may have occurred during transit. Check for missing parts.

General Safety Information

Warning: These mixers are intended for specific functions. Please follow all instructions to insure safe and proper use.

- (1) Be certain that all mounting hardware and the coupling and propeller set screws are properly tightened prior to operation.
- (2) Clamp securely to rim. Be certain propeller is not touching side or bottom of drum.
- (3) The Series F Mixers is intended for use on steel drums.
- (4) Perform electrical connections and wiring in accordance with the electrical area requirements and local electrical codes.
- (5) Do not attempt to adjust mixer when mixer is operating, this could result in personal injury or damage to the tank and mixer.
- (6) Always wear required safety equipment including eye protection when observing mixer performance or when adding materials to a tank while the mixer is operating.



PSG
22069 Van Buren Street
Grand Terrace, CA 92313 USA
P: +1 (215) 699-8700 F: +1 (215) 699-0370
psgdover.com/neptune

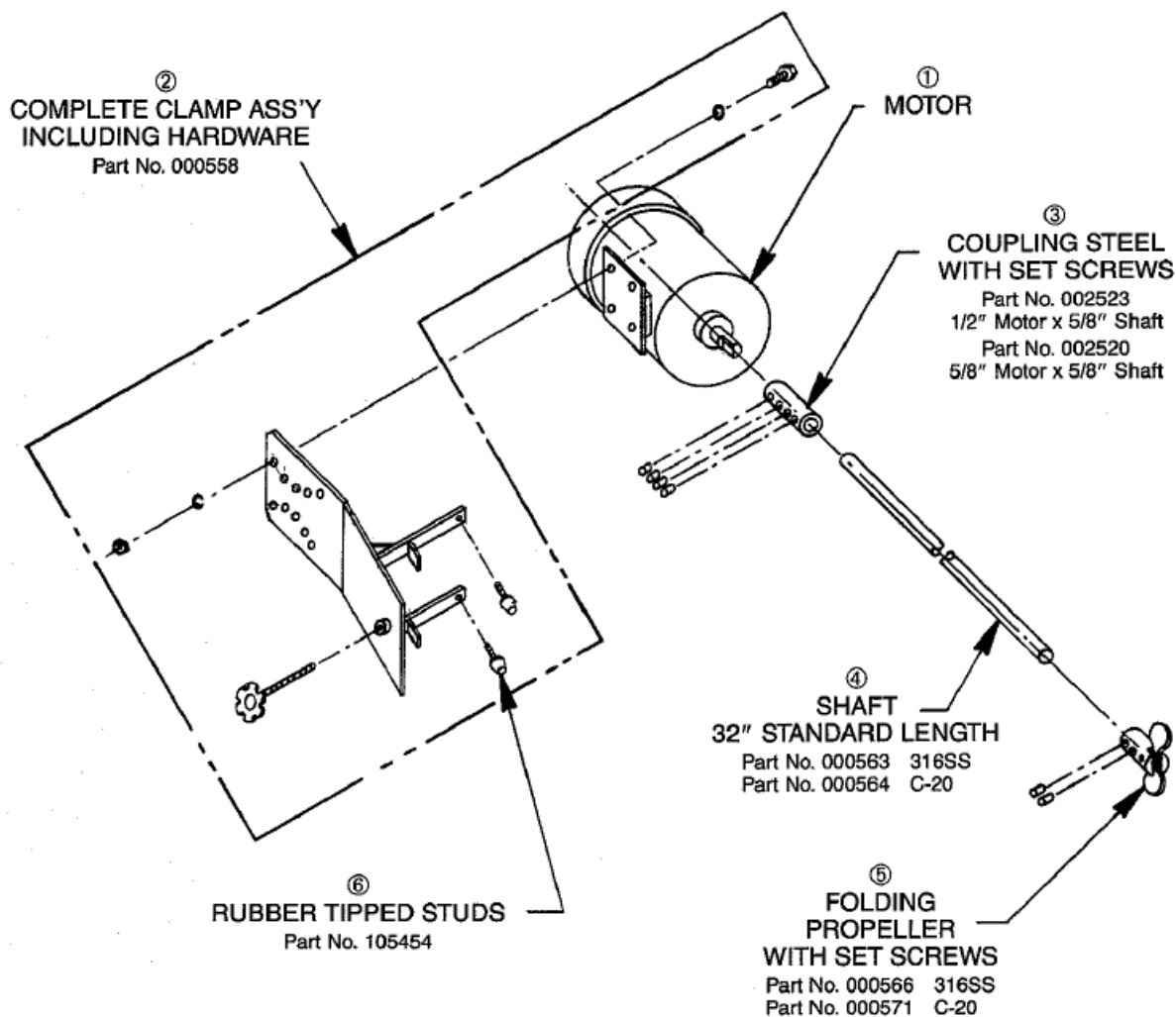
Copyright 2018 PSG®, a Dover Company



Assembly Instructions

Series F Mixer

- (4) Bolt motor to bung adapter using enclosed hardware.
- (5) Attach coupling to motor shaft using setscrews. Note, the end of the coupling with the two setscrews spaced closely together attach to the motor.
- (6) Attach propeller to round end of mixer shaft.
- (1) Bolt motor to bung adapter using enclosed hardware.
- (2) Attach coupling to motor shaft using setscrews. Note, the end of the coupling with the two setscrews spaced closely together attach to the motor.
- (3) Attach propeller to round end of mixer shaft.



PSG
22069 Van Buren Street
Grand Terrace, CA 92313 USA

P: +1 (215) 699-8700 F: +1 (215) 699-0370
psgdover.com/neptune

Copyright 2018 PSG®, a Dover Company



psgdover.com