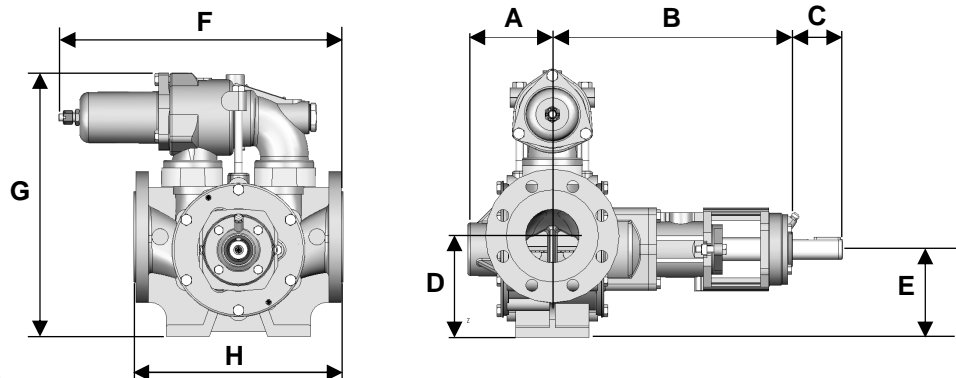


CHARACTERISTICS

	STANDARD	AVAILABLE OPTIONS
Technology	Vane pump	
Maximum Flow rate at 1 cSt m³/h (GPM)	25 (110) at 1000 rpm	
Displacement L (gal) per rotation	0.46 (0.122)	
Internal relief valve	Single	No relief valve
Rotation	Reversible	
Ports	DN65 ISO PN16 Flanges	
Heating	-	Heating jacket
Dimensions mm (in.)	A 101 (3.98)	
	B 316 (12.44)	
	C 62.5 (2.46)	
	D 125 (4.93)	
	E 112 (4.41)	
	F 323 (12.72)	
	G 327 (12.87)	281.5 (11.09) without relief valve.
	H 250 (9.84)	
Weight kg (lbs)	41 (90.4)	38 (84) without relief valve



OPERATING LIMITS

	STANDARD MATERIALS	AVAILABLE OPTIONS
Minimum temperature °C (°F)	-10 (14)	
Maximum temperature °C (°F)	200 (392)	
Maximum viscosity cSt (SSU)	200000 (960000)	
Maximum differential pressure bar (psi)	12 (174)	
Maximum outlet pressure barg (psig)	14 (203)	
Maximum speed (rpm)	1500 up to 6 bar, 1000 above	

MATERIALS OF CONSTRUCTION

Part No	PART NAME	STANDARD MATERIALS	AVAILABLE OPTIONS
101	Casing	Stainless steel 316L	
301	Rotor	Stainless steel 316L	
317	Vanes	PEEK	
318	Push Rods	-	Stainless steel 304L
401	Cover	Stainless steel 316L	
407	Bushings	Carbon	
501	Shaft	Stainless steel EN 1.4462 / AISI S31803 (2205)	
508	Shaft end key	Stainless steel 316L	
536	Rotor key	Stainless steel 316L	
712	End Cover	Stainless steel 316L	
725	Outboard bearing holder	Stainless steel 316L	
705	Outboard bearing cover	Stainless steel 316L	
801	Relief valve casing	Stainless steel 316L	
823	Relief valve plug	Stainless steel 316L	
827	Relief valve cover	Stainless steel 316L	
	Bolts	Stainless steel 316	
	O rings	FKM	PTFE coated FKM
600	Mechanical seal (1)	Carbon/FKM/Silicon carbide/FKM	Carbon/PTFE/Silicon carbide/PTFE Sil. Carb./FKM/Silicon carbide/FKM Sil. Carb./PTFE/Silicon carbide/PTFE Flushed single seal (2) Flushed double seal (2)

- (1) Standardized mechanical seal only
- (2) Consult factory

