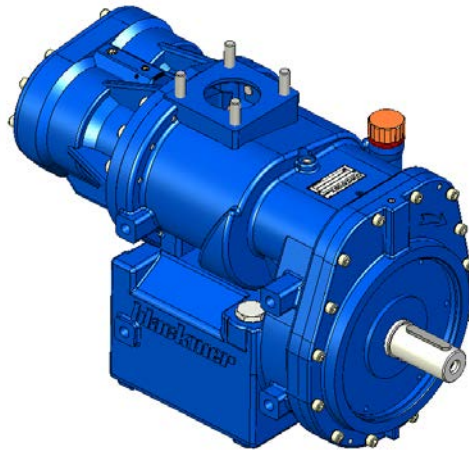
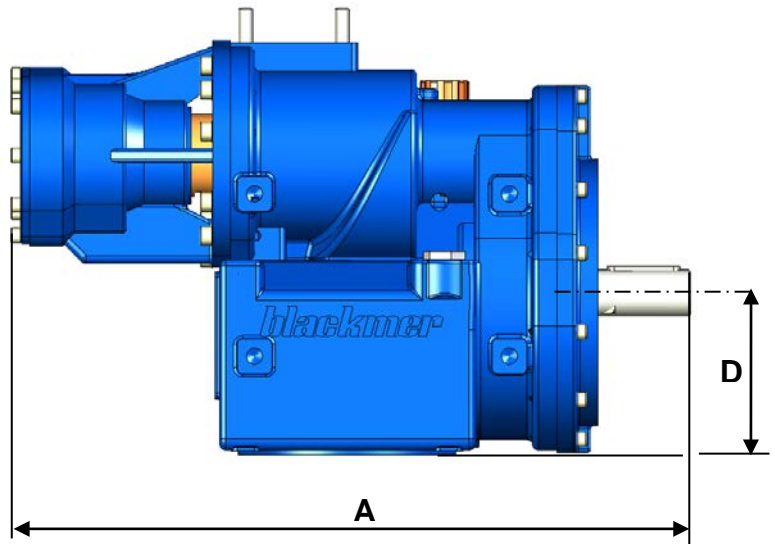
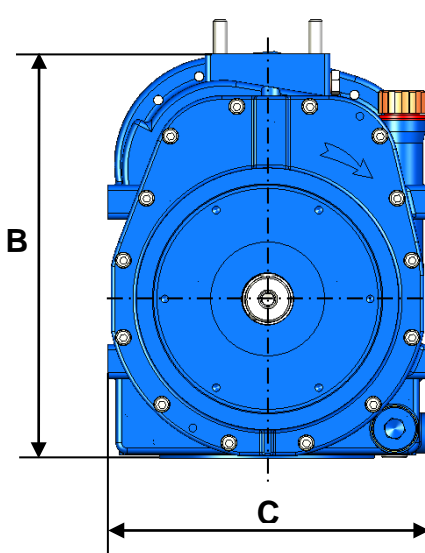


Replaces
Mistral.00
Effective 18 02 22



CHARATERISTICS

	STANDARD	AVAILABLE OPTIONS	
Technology	Oil-free Screws Mouvex®		
Type of lubrication	Splashing and pressurized oil		
Dynamic sealing	Bronze labyrinths		
Oil volume requested (litre)	4.5	5.5 if 13R/15L- 19R/22L	
Oil quality requested	Mouvex BSC 3		
Maximum flow rate at the atmospheric pressure m3/h (CFM)	750 (441)		
Suction port mm (in.)	Ø 80 (3.15)		
Discharge port mm (in.)	Ø 65 (2.56)		
Speed and rotation direction (rpm)	20R (2000 rpm Right)	13R/15L- 19R/22L- 30R	
Power (KW) and torque (Nm) at 2.5 bar for 20R	52	250	
Dimensions mm (in.)	A	586 (23.07)	723 (28.46) if 13R/15L- 19R/22L
	B	355 (13.98)	
	C	280 (11.02)	
	D	140 (5.51)	
Weight dry kg (lbs)	115 (254)	145 (320) if 13R/15L- 19R/22L	



OPERATING LIMITS

	STANDARD MATERIALS
Minimum temperature °C (°F)	-30 (-22)
Maximum air suction temperature °C (°F)	45 (113)
Maximum pressure bar (PSI)	2.5 (36)
Maximum vacuum allowed bar (PSI)	0.075 (1.09)
Air inlet filtration required (microns)	5
Speed range allowed (rpm)	780 à 3000 rpm depending of the model

MATERIALS OF CONSTRUCTION

N°	PART NAME	STANDARD MATERIALS	AVAILABLE OPTIONS
1	Compressor casing	Cast iron	
3	Cover	Cast iron	
145	Pair of screws	Cast iron	
146	Gear box	Cast iron	
167	Multiplier	Hardened steel	
189	Timing gears	Hardened steel	
	Flanges	Steel	
	Flanges gaskets	Graphite	
	Shafts sealing	Bronze labyrinths	
	Lubrication	Synthetic oil BS3	
	Sealing	Sealing paste	

