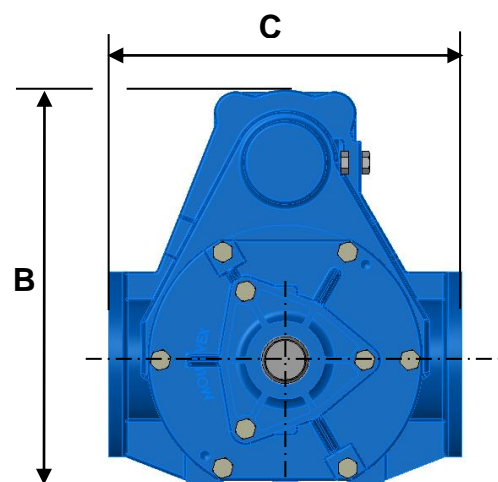
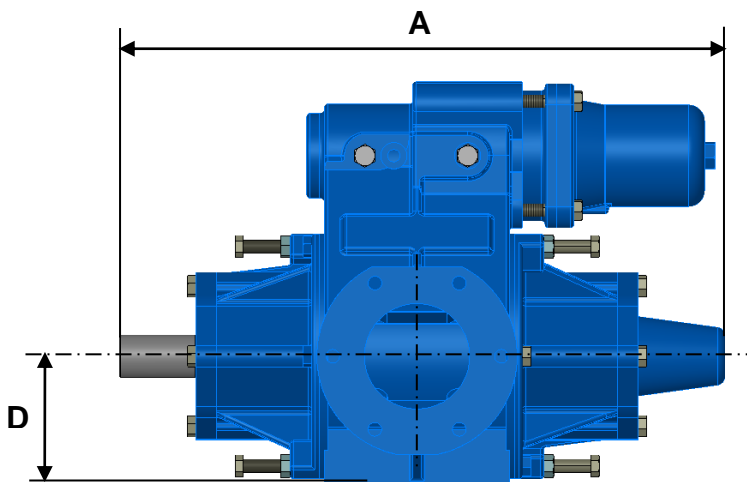


**CHARACTERISTICS**

		STANDARD		AVAILABLE OPTIONS
<b>Technology</b>		6 Palettes		
<b>Maximum Flow rate at 1 cSt in m<sup>3</sup>/h (GPM)</b>		81 (357)		
<b>Power requested (KW) and Torque (Nm) at 750rpm 8bar at 10Cst</b>		18.4	234	
<b>Power requested (KW) and Torque (Nm) at 1000rpm 4 bar at 10 Cst</b>		12	115	
<b>Cubic capacity L (cu.in)</b>		1.687 (61.023744)		
<b>By-pass</b>		Simple, not reversible		Pneumatic, Pneumatic + spring
<b>Rotation direction</b>		CW or CCW (2 ended shafts)		
<b>Ports</b>		Flanges Ø 100		
<b>Heating</b>		Without		
<b>Dimensions mm (in.)</b>	<b>A</b>	572 (22.52)		
	<b>B</b>	380 (14.96)		
	<b>C</b>	340 (13.39)		
	<b>D</b>	120 (4.72)		
<b>Weight kg (lbs)</b>		94 (207)		



**OPERATING LIMITS**

	STANDARD MATERIALS
Minimum temperature °C (°F)	-20 (-4)
Maximum temperature °C (°F)	80 (176)
Maximum viscosity cSt (SSU)	50 (260)
Maximum differential pressure bar (psi)	8 (116)
Minimum speed (rpm)	450
Maximum speed (rpm) at 8 bar	750
Minimum speed (rpm) at 4 bar	1000

**MATERIALS OF CONSTRUCTION**

Part No	PART NAME	STANDARD MATERIAL	AVAILABLE OPTIONS
100	Casing	Cast Iron	
300	Rotor	Cast iron	
317	Vanes	PPS	
400	Ends	Cast iron	
500	Shaft	Steel	
703	Ball bearings	Steel	
	Static O-rings	Nitrile	FKM
630	Mechanical seal	Carbon / stainless steel	
630	Mechanical seal O-rings	FKM	

