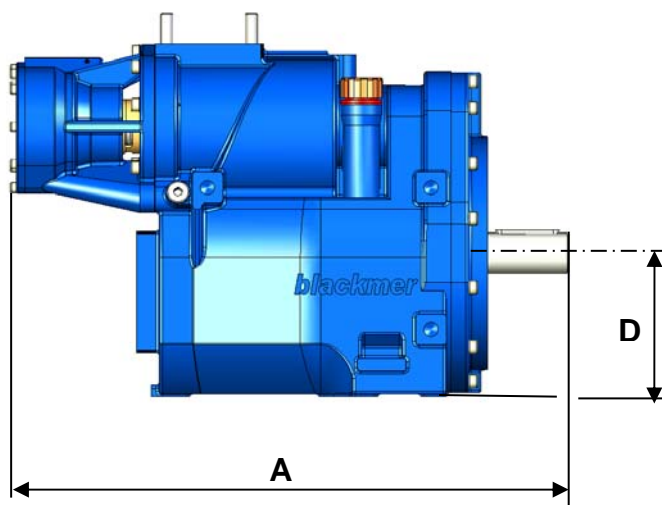
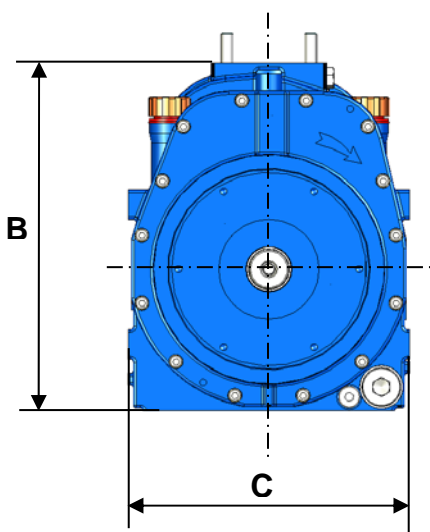


## CHARACTERISTICS

	STANDARD	AVAILABLE OPTIONS	
<b>Technology</b>	Oil-free Screws Mouvex®		
<b>Type of lubrication</b>	Splashing and pressurized oil		
<b>Dynamic sealing</b>	Bronze labyrinths		
<b>Oil volume requested (litre)</b>	4.2	4.8 if 13R/15L- 19R/22L	
<b>Oil quality requested</b>	Mouvex BSC 3		
<b>Maximum flow rate at the atmospheric pressure m3/h (CFM)</b>	600 (353)		
<b>Suction port mm (in.)</b>	Ø 80 (3.15)		
<b>Discharge port mm (in.)</b>	Ø 65 (2.56)		
<b>Speed and rotation direction (rpm)</b>	20R (2000 rpm Right)	13R/15L- 19R/22L- 30R	
<b>Power (KW) and torque (Nm) at 2.5 bar for 20R</b>	35	170	
<b>Dimensions mm (in.)</b>	<b>A</b>	549 (21.61)	686 (27) if 13R/15L- 19R/22L
	<b>B</b>	348 (13.7)	
	<b>C</b>	280 (11.02)	
	<b>D</b>	141 (5.55)	
<b>Weight dry kg (lbs)</b>	94 (207)	124 (273) if 13R/15L- 19R/22L	



### OPERATING LIMITS

	STANDARD MATERIALS
Minimum temperature °C (°F)	-30 (-22)
Maximum air suction temperature °C (°F)	45 (113)
Maximum pressure bar (PSI)	2.5 (36)
Maximum vacuum allowed bar (PSI)	0.075 (1.09)
Air inlet filtration required (microns)	5
Speed range allowed (rpm)	780 à 3000 rpm depending of the model

### MATERIALS OF CONSTRUCTION

N°	PART NAME	STANDARD MATERIAL	AVAILABLE OPTIONS
1	Compressor casing	Cast iron	
3	Cover	Cast iron	
145	Pair of screws	Cast iron	
146	Gear box	Cast iron	
167	Multiplier	Hardened steel	
189	Timing gears	Hardened steel	
	Flanges	Steel	
	Flanges gaskets	Graphite	
	Shafts sealing	Bronze labyrinths	
	Lubrication	Synthetic oil BS3	
	Sealing	Sealing paste	

