

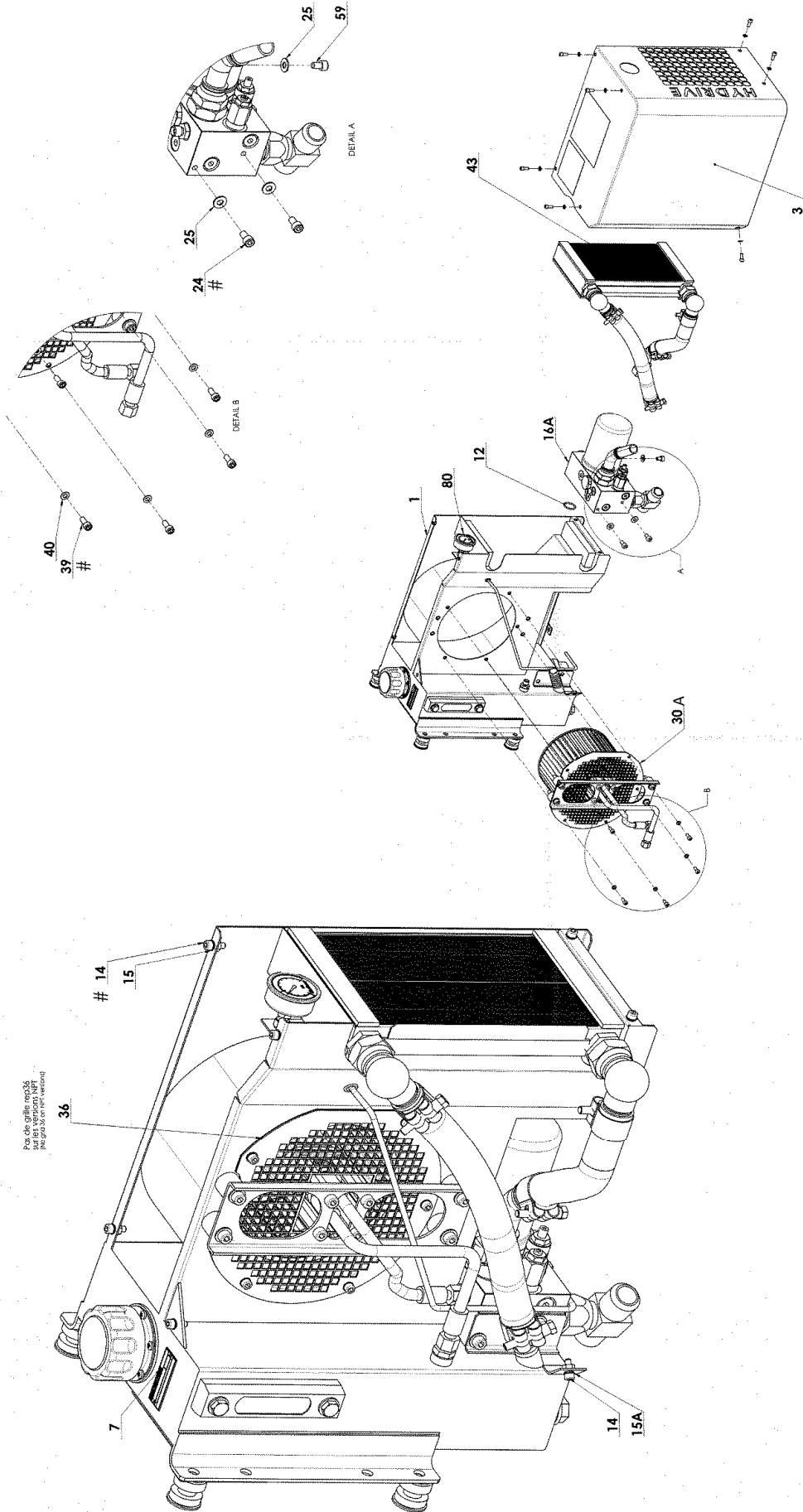
PARTS LIST
HYDRAULIC COOLER
HYDRIVE 2010

Keep this parts lists with Installation, Operation and Maintenance Instructions.

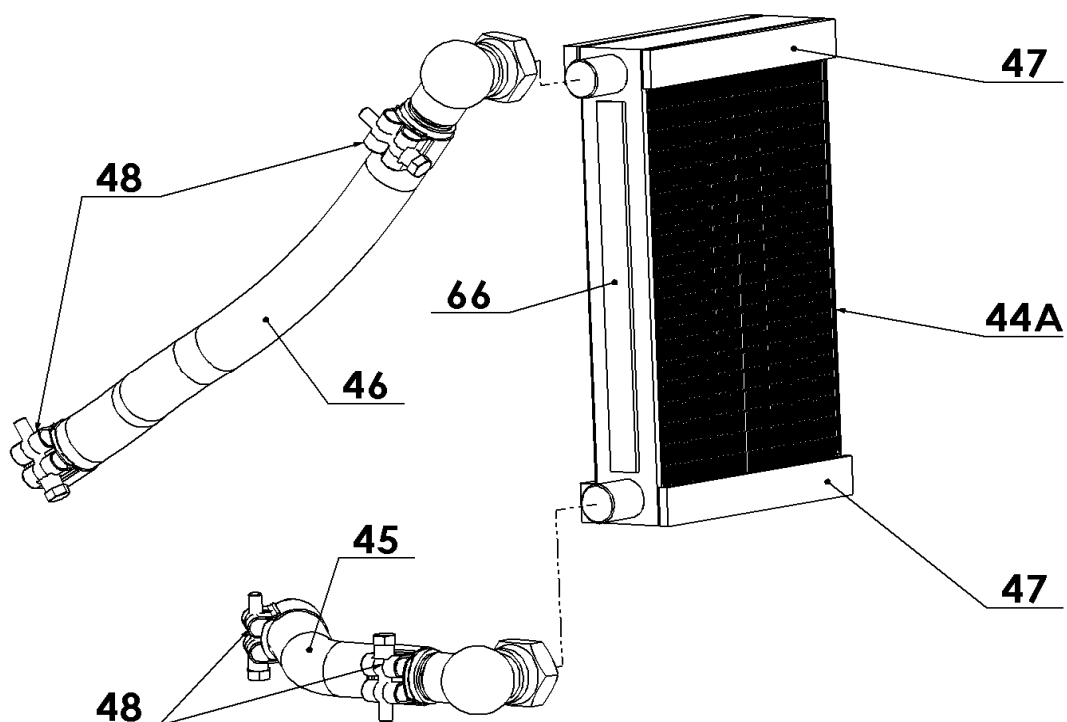
To order the required spare parts, indicate the desired Reference(s).

- ◆ Sets of parts or parts available to order.

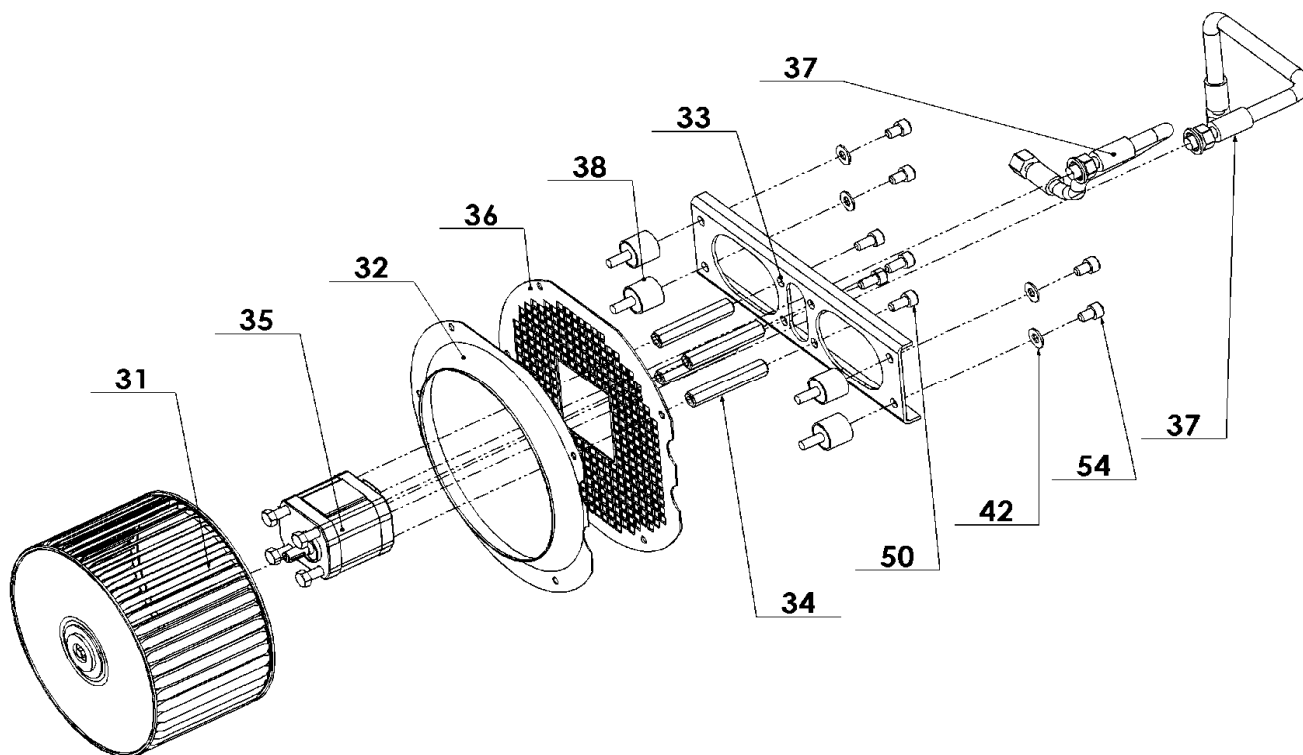
HYDRIVE 2010



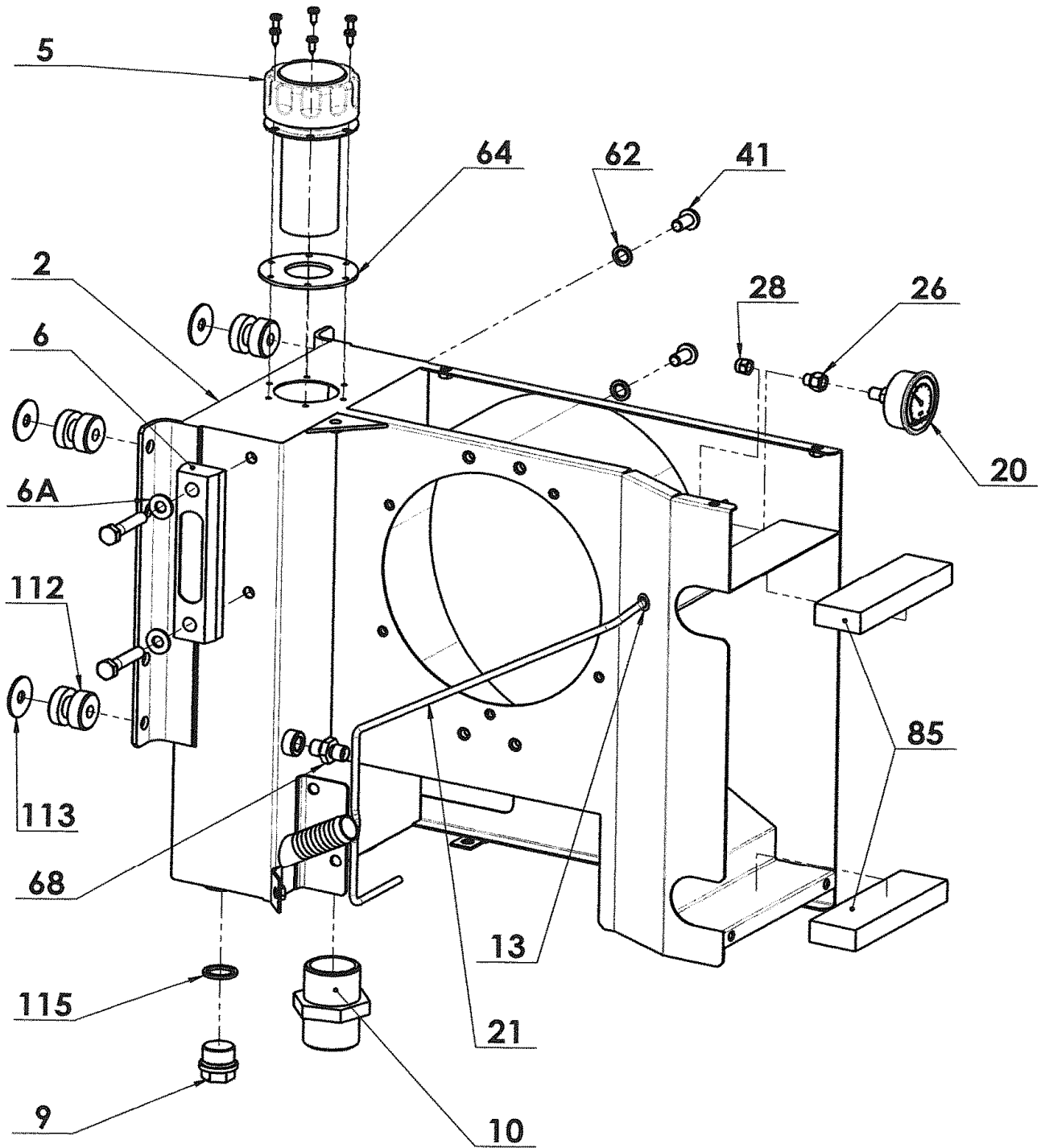
Radiator



Fan

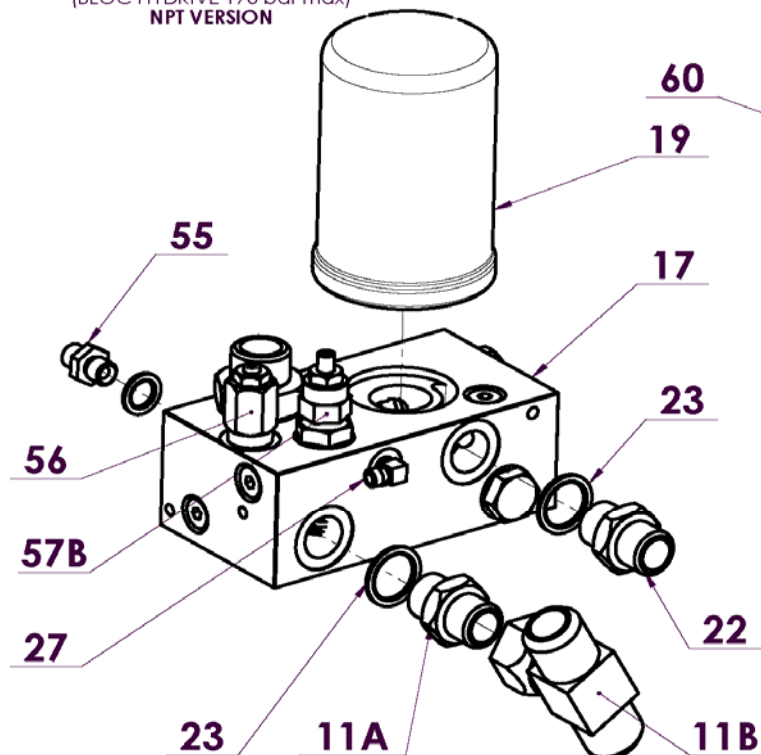


Tank

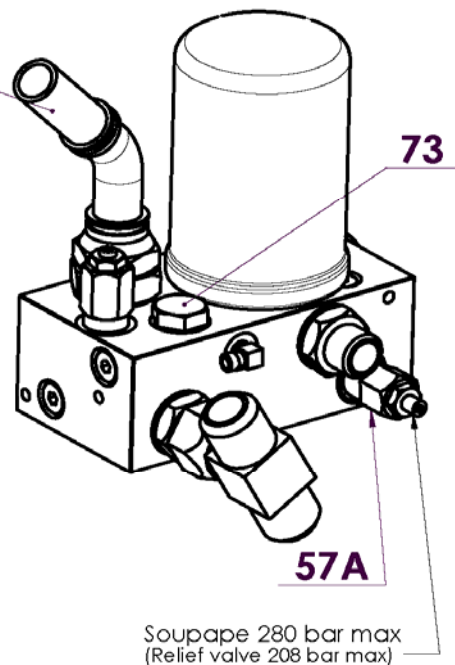


HYDRIVE 2010 Hydraulic bloc

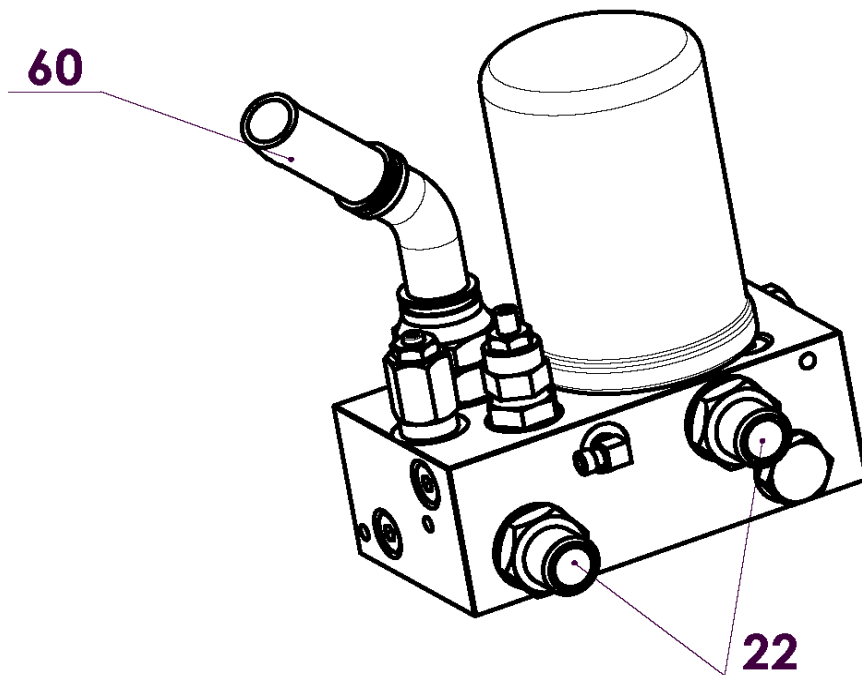
VALVE BLOCK HYDRIVE 170 bar max
(BLOC HYDRIVE 170 bar max)
NPT VERSION



VALVE BLOCK HYDRIVE 280 bar max
(BLOC HYDRIVE 280 bar max)



VALVE BLOCK HYDRIVE 170 bar max
(BLOC HYDRIVE 170 bar max)
BSP VERSION



HYDRIVE 2010

* 1, 2, 4... : Quantity in equipment - (1), (2), (4)... : Quantity in kit

Item	Available	Description	Qty*	Ref.	Maintenance kit	Wear part
1A	◆	TANK & COVER ASSEMBLY	1	AUX312147		
2		TANK	(1)			
3	◆	COVER	1	AUX219172		
5	◆	PLUG	1	AUX219809	■	
6	◆	DIPSTICK & THERMOMETER	1	AUX219175	■	
6A		WASHER	(2)			
9	◆	MAGNETIC PLUG	1	AUX223770		
12	◆	SEAL	1	AUX219931		
13	◆	RUBBER RING	1	AUX205238		
14		SCREW	(7)			
15		WASHER	(6)			
15A		WASHER	(1)			
41		SCREW	(2)			
62	◆	SEAL WASHER	2	AUX219731		
64	◆	SEAL	1	AUX229123		
68	◆	CONNECTOR	1	AUX219812		
115	◆	SEAL WASHER	1	AUX220394		
16A	◆	HYDRIVE 2010 HYDRAULIC BLOC ASSEMBLY 170 BAR	1	AUX312148		
16A	◆	HYDRIVE 2010 HYDRAULIC BLOC ASSEMBLY 280 BAR	1	AUX313818		
17		HYDRIVE 2010 HYDRAULIC BLOC	(1)			
19	◆	HYDRIVE 2010 OIL FILTER	1	AUX219185	■	●
24		SCREW	(2)			
25		WASHER	(3)			
27	◆	ELBOW 90°	1	AUX219667		
59		SCREW	(1)			
80	◆	PRESSURE GAUGE ASSEMBLY	1	AUX312554	■	
20	◆	PRESSURE GAUGE	1	AUX219792		
21		HOSE	(1)			
26	◆	CONNECTOR	1	AUX219668		
28	◆	CONNECTOR	1	AUX219666		
30A	◆	RADIAL FAN ASSEMBLY HYDRIVE 2010	1	AUX315820		
31	◆	RADIAL FAN WITH HUB	1	AUX315240	■	
32	◆	DEFLECTOR	1	AUX219194		
33	◆	MOTOR BRACKET	1	AUX219195		
34		SPACER	(4)			
35	◆	HYDRAULIC MOTOR	1	AUX219197	■	
36	◆	GRID (WITH BSP VERSION)	1	AUX227053		
37	◆	HOSE	2	AUX219199		
38		VIBRATION PAD	(4)			●
39		SCREW	(5)			
40		WASHER	(5)			
42		WASHER	(4)			
50		SCREW	(4)			
54		SCREW	(4)			
43	◆	RADIATOR ASSEMBLY HYDRIVE 2010	1	AUX312152		
44A	◆	RADIATOR 2010 EQUIPPED	1	AUX315148	■	
45B	◆	INLET HOSE (45) WITH 2 HOSE CLAMP (48)	1	AUX321188		
46B	◆	OUTLET HOSE (46) WITH 2 HOSE CLAMP (48)	1	AUX321190		
60	◆	CONNECTOR RADIATOR_HYDRAULIC BLOC	1	AUX242900		
55	◆	HYDRAULIC CONNECTOR	1	AUX230862	■	
56	◆	FAN SPEED CONTROL VALVE	1	AUX219221	■	
72	◆	HYDRAULIC MOTOR SEAL KIT	1	AUX226913		

HYDRIVE 2010

* 1, 2, 4... : Quantity in equipment - (1), (2), (4)... : Quantity in kit

Item	Available	Description	Qty*	Ref.	Maintenance kit	Wear part
75	◆	KIT BSP CONNECTORS HYDRIVE 2010	1	AUX319295		
10		CONNECTOR BSP	(1)			
22		CONNECTOR BSP	(2)			
23		SEAL WASHER	(2)			
76	◆	KIT NPT CONNECTORS HYDRIVE 2010	1	AUX319296		
10		CONNECTOR NPT	(1)			
11A		CONNECTOR NPT	(1)			
11B		T CONNECTOR NPT	(1)			
22		CONNECTOR NPT	(1)			
23		SEAL WASHER	(2)			
114	◆	HYDRIVE 2010 VIBRATION PAD KIT	1	AUX313652	■	●
112		VIBRATION PAD	(4)			
113		WASHER	(4)			
137	◆	HYDRIVE 2010 FAN VIBRATION PAD KIT	1	AUX314823	■	●
34		SPACER	(4)			
38		VIBRATION PAD	(4)			
42		WASHER	(4)			
54		SCREW	(4)			
1114	◆	HYDRAULIC BLOC CONVERTING KIT : 170 > 280 BAR	1	AUX315296		
57A	◆	RELIEF VALVE 280 BAR	1	AUX219220	■	
73		PLUG	(1)			
1114	◆	HYDRAULIC BLOC CONVERTING KIT : 280 > 170 BAR	1	AUX315297		
57	◆	RELIEF VALVE 170 BAR	1	AUX227050	■	
73		PLUG	(1)			

Interchangeability informations

Hydraulic bloc

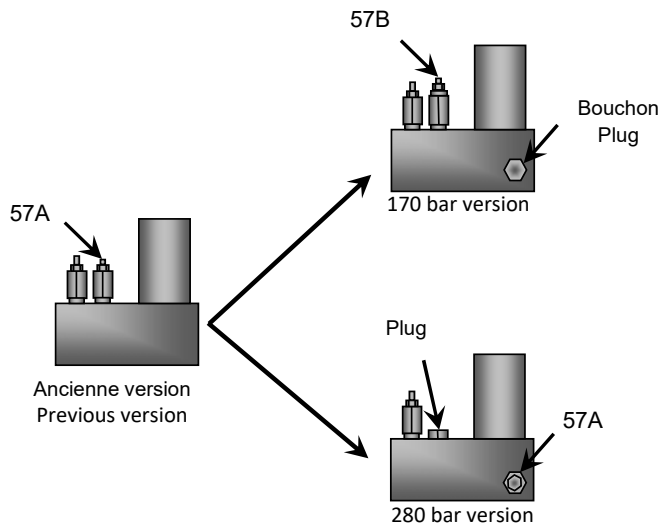
The hydraulic bloc has been upgraded in January 2010 to receive a new relief valve used until 170 bar, whereas the previous one is still used but only above 170 bar.

As they are not interchangeable, there are two ports in the new bloc, the one not used is plugged.

In case of replacement of the relief valve, you need first to identify the model.

Please consider the following information.

Location of the relief valve



Identification of the relief valve

Item	Ref.	Mark
57A	219220	1AR60
57B	227050	1DR50



1 AR 60

1 DR 50