

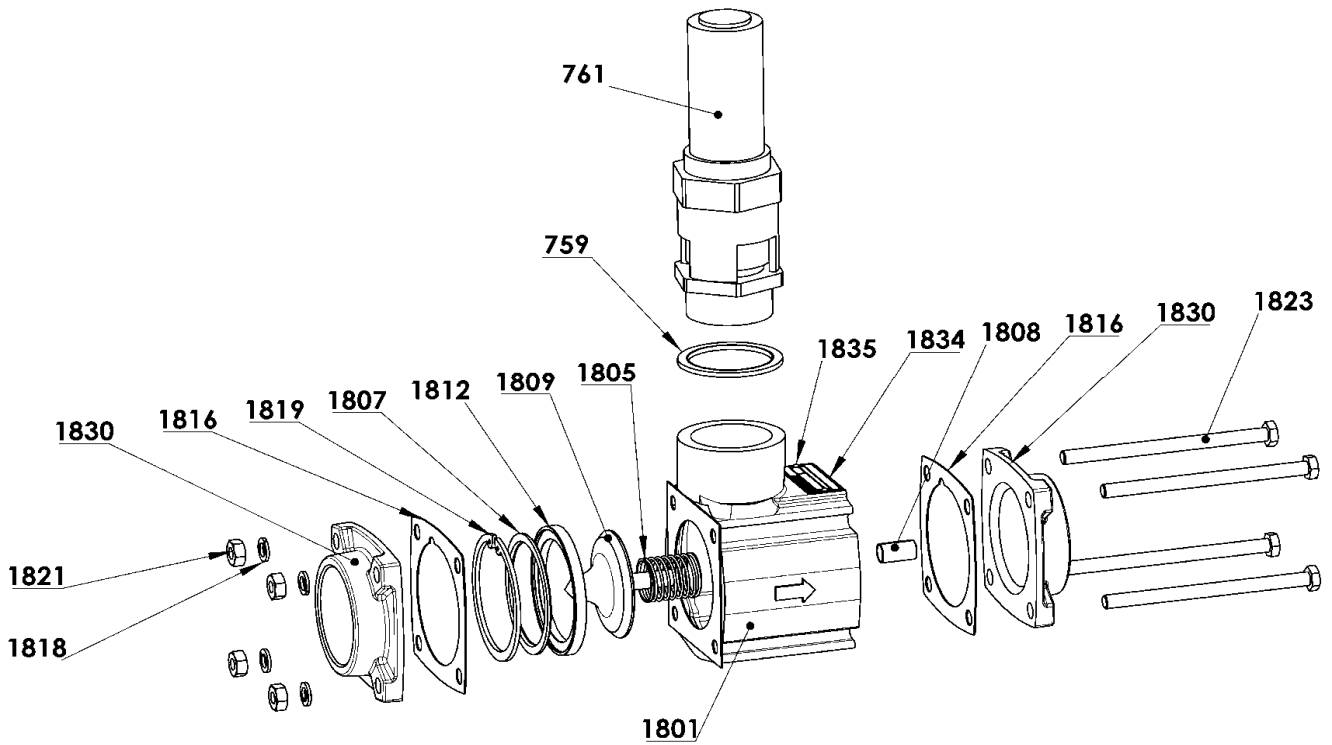
PARTS LIST
ACCESSORIES
SCREW COMPRESSOR
B600 - Mistral - Typhon II

Keep this parts lists with Installation, Operation and Maintenance Instructions.

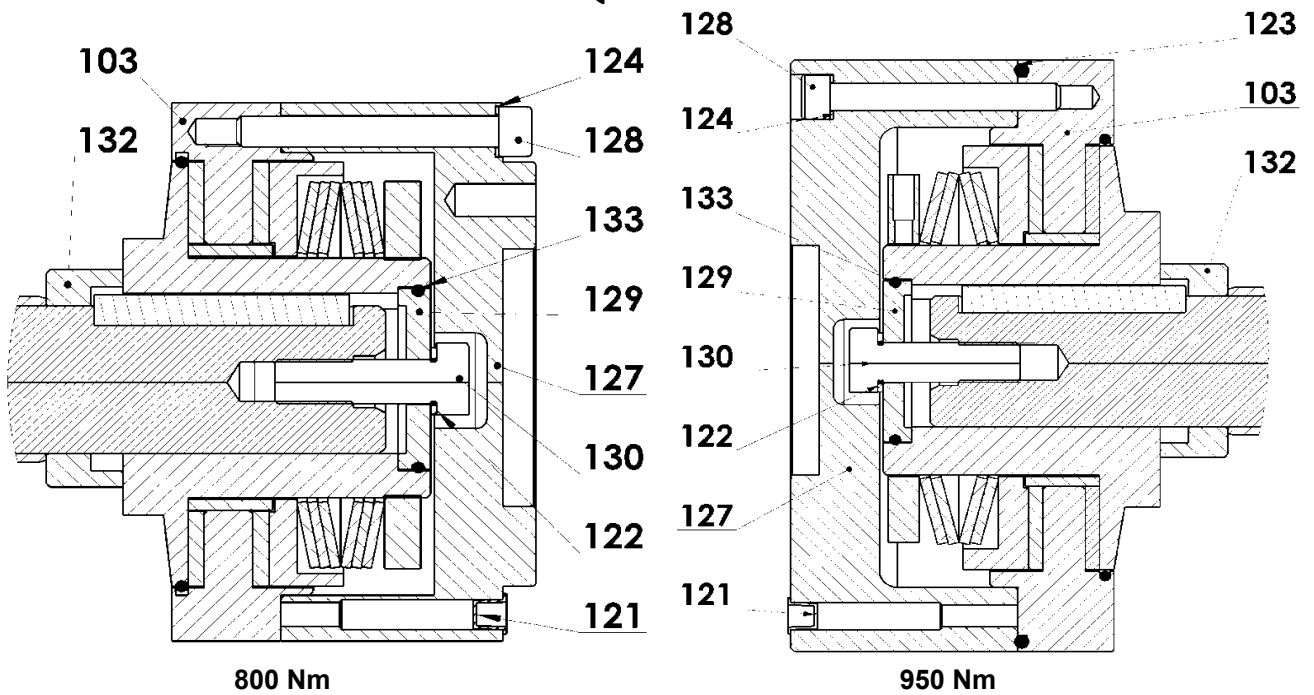
To order the required spare parts, indicate the desired Reference(s).

- ◆ Sets of parts or parts available to order.

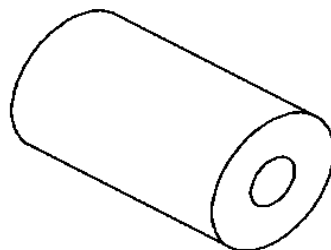
CHECK RELIEF VALVE



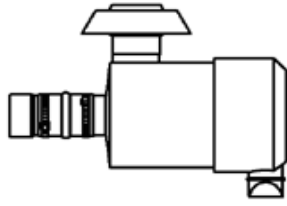
TORQUE LIMITER



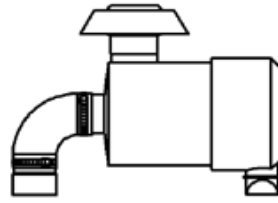
SILENCER



AIR FILTER



WITH STRAIGHT OUTLET (180°)



WITH 90° OUTLET

FLANGE KIT & STORZ CONNECTOR KIT



90°

FLANGE KIT

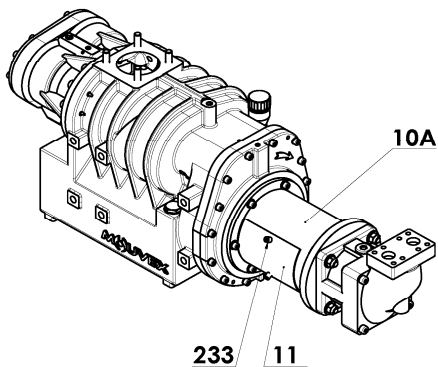
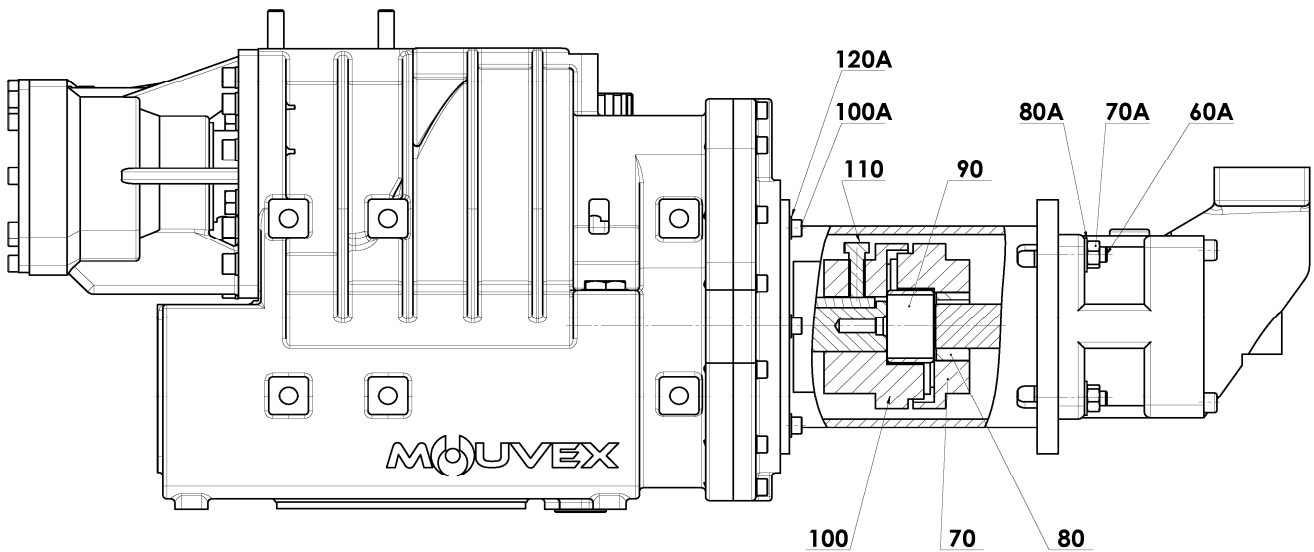


180°

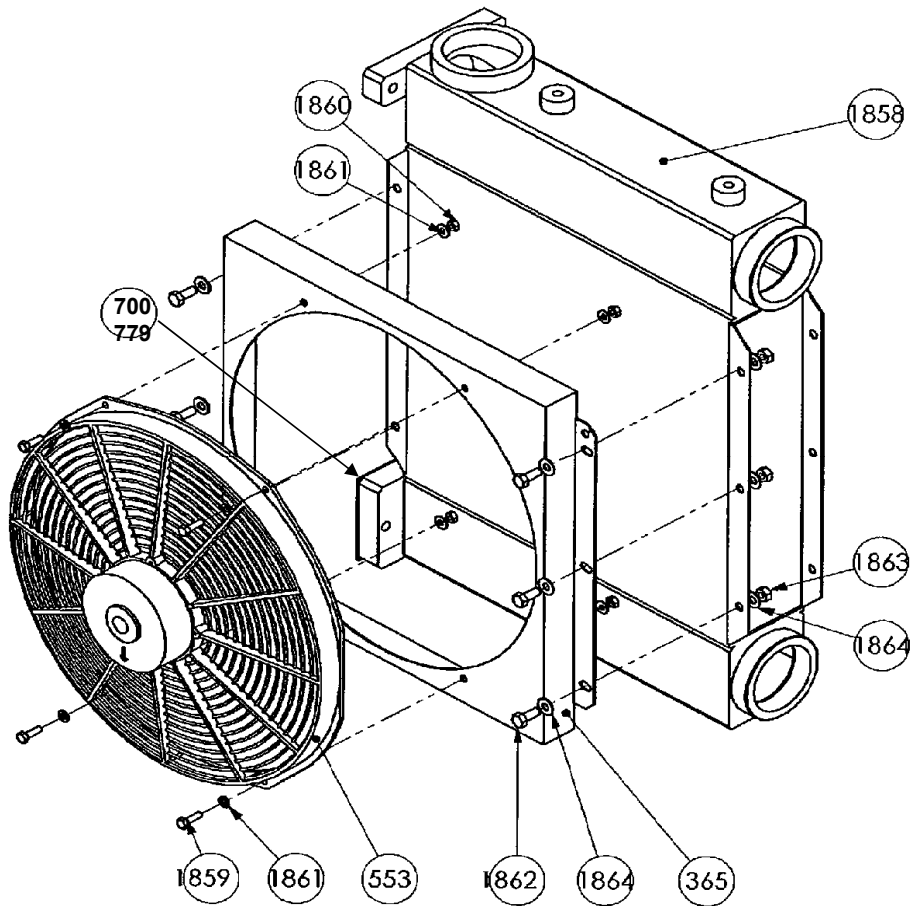


STORZ CONNECTOR KIT

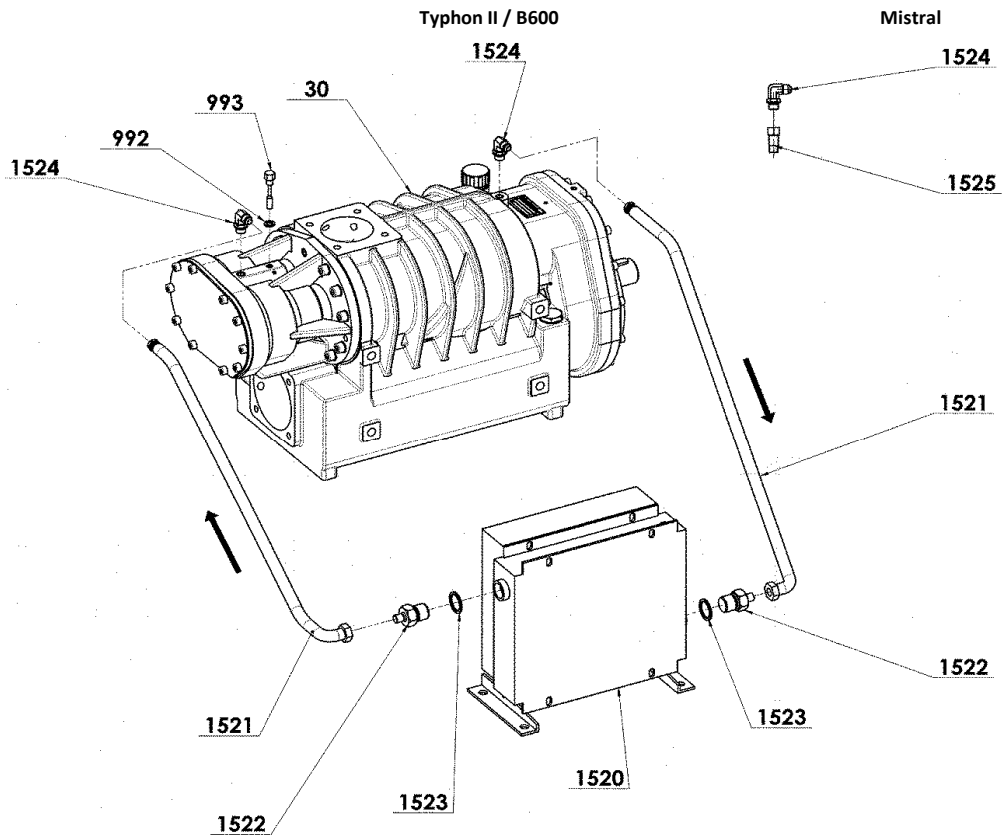
HYDRAULIC TRUNK KIT FOR MOTOR



INTERCOOLER



OIL COOLER



ACCESSORIES

* 1, 2, 4... : Quantity in equipment - (1), (2), (4)... : Quantity in kit

** Not shown on drawings

Item	Available	Description	Qty*	Ref.	Maintenance kit	Wear part
CHECK RELIEF VALVE						
524	◆	CHECK RELIEF VALVE 2.5" 2 BAR	1	AUX316101	■	
524	◆	CHECK RELIEF VALVE 2.5" 2.3 BAR	1	AUX316099	■	
524	◆	CHECK RELIEF VALVE 2.5" 2.5 BAR	1	AUX316103	■	
524	◆	CHECK RELIEF VALVE 3" 2 BAR	1	AUX316102	■	
524	◆	CHECK RELIEF VALVE 3" 2.3 BAR	1	AUX316100	■	
524	◆	CHECK RELIEF VALVE 3" 2.5 BAR	1	AUX316104	■	
761		RELIEF VALVE	(1)			
1801		CHECK VALVE CASING	(1)			
1809		VALVE	(1)			
1830	◆	FLANGE 2.5" BSP	2	AUX227439		
1830	◆	FLANGE 3" BSP	2	AUX228185		
1834		SERIAL NUMBER PLATE	(1)			
1835		RIVET	(2)			
1879	◆	SEALS_SCREWS KIT FOR CHECK VALVE	1	AUX314413		
759		SEAL WASHER	(1)			
1816	◆	GASKET FLANGE	2	AUX220562	■	
1818		WASHER	(4)			
1821		NUT	(4)			
1823		SCREW	(4)			
1880	◆	SEALING KIT FOR CHECK VALVE	1	AUX314412		
1805	◆	SPRING	1	AUX220708		
1807		WASHER	(1)			
1808		BUSH	(1)			
1812		SEAL	(1)			
1819		CIRCLIPS	(1)			
778	◆	COMPLETE RELIEF VALVE 2 BAR	1	AUX313477	■	
778	◆	COMPLETE RELIEF VALVE 2.3 BAR	1	AUX313494	■	
778	◆	COMPLETE RELIEF VALVE 2.5 BAR	1	AUX313473	■	
759		SEAL WASHER	(1)			
761		RELIEF VALVE	(1)			●
1885	◆	CHECK RELIEF VALVE 2.5" WITHOUT RELIEF VALVE	1	AUX315580		
1885	◆	CHECK RELIEF VALVE 2" _2.5" WITHOUT RELIEF VALVE	1	AUX316495		
TORQUE LIMITER						
124	◆	COMPLETE TORQUE LIMITER 800 NM	1	AUX317145	■	●
125		TORQUE LIMITER 800 NM	(1)			
125A		TORQUE LIMITER ASSEMBLING KIT	(1)			
122		SEAL	(1)			
130		SCREW	(1)			
132		SPACER	(1)			
124	◆	COMPLETE TORQUE LIMITER 950 NM	1	AUX312548	■	●
125		TORQUE LIMITER 950 NM	(1)			
125A		TORQUE LIMITER ASSEMBLING KIT	(1)			
122		SEAL	(1)			
130		SCREW	(1)			
132		SPACER	(1)			
SILENCER						
119	◆	SILENCER	1	AUX225284		

ACCESSORIES

* 1, 2, 4... : Quantity in equipment - (1), (2), (4)... : Quantity in kit

** Not shown on drawings

Item	Available	Description	Qty*	Ref.	Maintenance kit	Wear part
AIR FILTER ASSEMBLY						
154	◆	For B600 - MISTRAL : FC7 WITH STRAIGHT OUTLET	1	AUX313690		
154	◆	FC7 WITH 90° OUTLET	1	AUX315553		
161**		FILTER ELEMENT FC7	1	AUX223650	■	●
154	◆	For B600 - MISTRAL - TYPHON II : FC10 WITH STRAIGHT OUTLET	1	AUX313692		
154	◆	FC10 WITH 90° OUTLET	1	AUX313694		
161**		FILTER ELEMENT FC10	1	AUX215653	■	●
153	◆	For B600 - MISTRAL - TYPHON II : CONNECTION KIT HOSE FOR FILTER (1,5 M)	1	AUX313689	■	
164**		HOSE	1			
165**		HOSE CLAMP	2			

COMPRESSOR FLANGE KIT						
98	◆	INLET STRAIGHT FLANGE KIT FOR : TYPHON II	1	AUX313693		
98	◆	B600 / MISTRAL	1	AUX312169		
116B**		GASKET INLET FLANGE FOR : TYPHON II	1	AUX215088	■	
116**		B600 / MISTRAL	1	AUX219281	■	
117**		INLET FLANGE	(1)			
120**		SCREW	(4)			
121**		WASHER	(4)			
98	◆	INLET ELBOW FLANGE KIT FOR : TYPHON II	1	AUX313687		
98	◆	B600 / MISTRAL	1	AUX313688		
116A**		GASKET INLET FLANGE FOR : TYPHON II	1	AUX215088	■	
116C**		B600 / MISTRAL	1	AUX219281	■	
117**		INLET FLANGE	(1)			
120**		SCREW	(4)			
121**		WASHER	(4)			
1026**		BRACKET	(2)			
97	◆	DISCHARGE FLANGE KIT 2"1/2 DISCHARGE FLANGE	1	AUX312168		
140**			(1)			
141B**		GASKET	1	AUX219281	■	
142**		NUT	(4)			
144**		WASHER	(4)			

INTERCOOLER						
175	◆	INTERCOOLER ASSEMBLY	1	AUX314123		
365	◆	INTERCOOLER SUCTION COVER	1	AUX230413		
553	◆	AXIAL FAN 24 VDC	1	AUX241118	■	
553	◆	AXIAL FAN 12 VDC	1	AUX231717	■	
700	◆	GASKET	1	AUX224729		
735**		NUT	(2)			
779		PLUG	(1)			
792**		SCREW	(2)			
793**		SCREW	(1)			
794**		WASHER	(3)			
1858		INTERCOOLER	(1)			
1859		SCREW	(4)			
1860		NUT	(4)			
1861		WASHER	(8)			
1862		SCREW	(6)			
1863		NUT	(6)			
1864		WASHER	(12)			

ACCESSORIES

* 1, 2, 4... : Quantity in equipment - (1), (2), (4)... : Quantity in kit

** Not shown on drawings

Item	Available	Description	Qty*	Ref.	Maintenance kit	Wear part
		OIL COOLER				
1519	◆	OIL COOLER KIT 24V	1	AUX315637		
1519	◆	OIL COOLER KIT 12V	1	AUX316718		
990	◆	COMPRESSOR CONNECTING KIT FOR OIL COOLER	1	AUX313657		
992		SEAL	(1)			
993		PLUG	(1)			
1520	◆	OIL COOLER 24V	1	AUX230087		
1520	◆	OIL COOLER 12V	1	AUX230088		
1523		SEAL WASHER	(2)			
1529	◆	OIL COOLER CONNECTING KIT	1	AUX315638		
1521		HOSE (2 M)	(2)			
1522		CONNECTOR	(2)			
1524		ELBOW CONNECTOR	(2)			
1525		ADAPTATER	(1)			
1531	◆	CAN OF 1.5 LITRES (BSC3 OIL)	(1)	AUX316636		
		OTHERS ACCESSORIES				
		HYDRAULIC TRUNK KIT FOR PARKER MOTOR :				
1205	◆	F12-40	1	AUX311989		
1205	◆	F12-60	1	AUX311284		
1205	◆	F12-80	1	AUX311835		
124	◆	STORZ CONNECTOR KIT 3" HOSE THREADED MALE G2.5	1	AUX316791		
187		PLUG	(1)			
188		CONNECTOR	(1)			