



P.L. : 1013-D01

Effective  
Replaces

March 2021  
January 2021

## PARTS LIST

### PUMPS

**G-FLO 40 S - G-FLO 50 S - G-FLO 65 S - G-FLO 65 HP**

Keep this parts lists with Installation, Operation and Maintenance Instructions.

To order the required spare parts, indicate the desired Reference(s).

- ◆ Sets of parts or parts available to order.

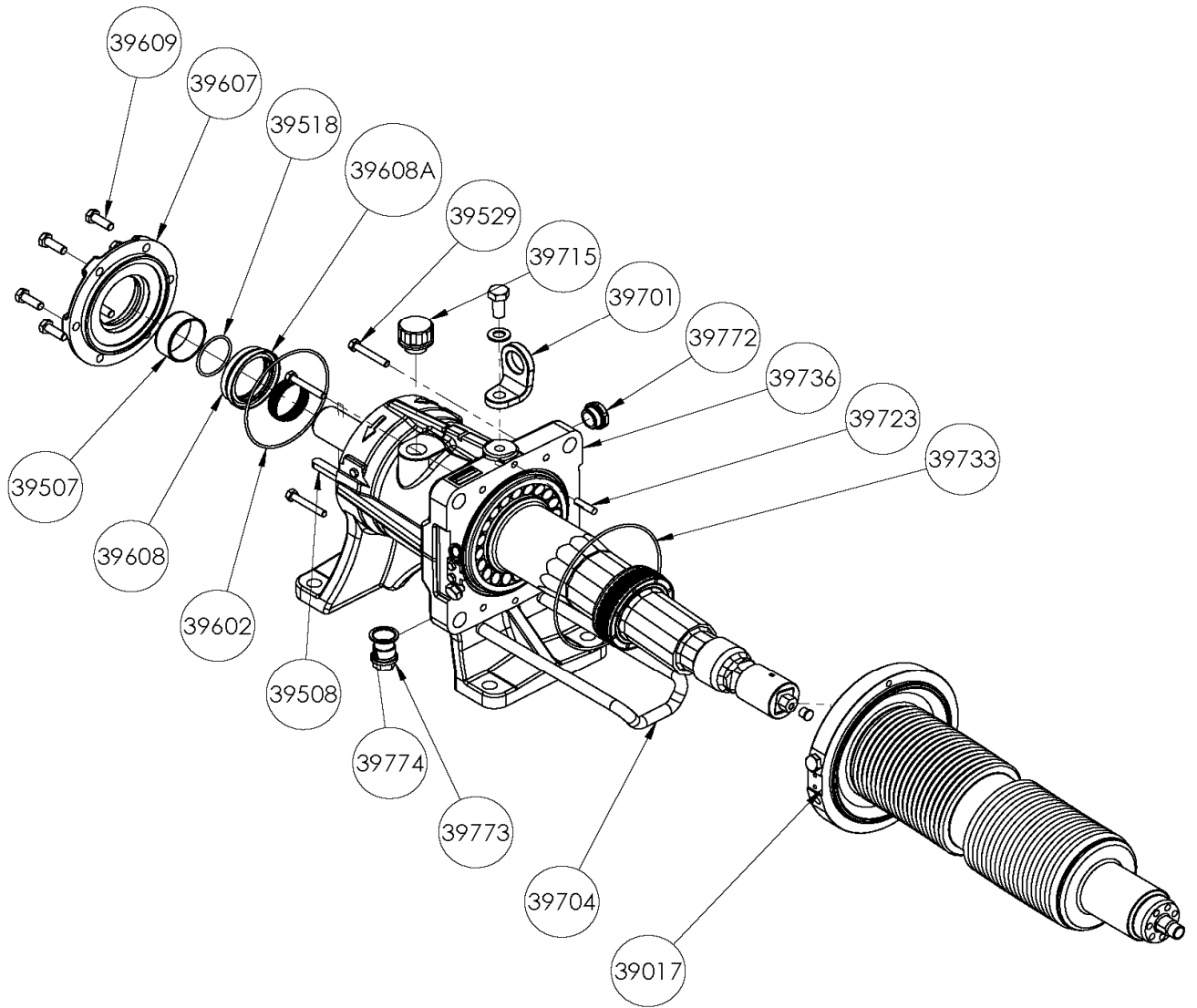
CVT : FEP encapsulated FKM

Z.I. la Plaine des Isles - 2 rue des Caillottes F-89000 AUXERRE - France

Tel : +33 (0)3 86 49 86 30 • Fax : +33 (0)3 86 49 87 17  
contact.mouvex@psgdover.com • www.mouvex.com



# G-FLO 40 S - G-FLO 50 S - G-FLO 65 S - G-FLO 65 HP Transmission



## G-FLO 40 S

\* 1, 2, 4... : Quantity in equipment - (1), (2), (4)... : Quantity in kit

Item	Available	Description	Qty*	Ref.	Maintenance kit	Wear part
<b>39100</b>	◆	<b>MAIN BODY G FLO 40 S</b>	1	AUX320657		
39101		MAIN BODY	(1)			
39108		FOOT	(1)			
39109		SCREW	(2)			
39118		INDEXER	(1)			
39119		SCREW	(2)			
39704A		BRACKET	(1)			
<b>39110</b>	◆	<b>SCREWS SET FOR MAIN BODY</b>	1	AUX320661		
39105		STUD	(6)			
39106		BLIND NUT	(8)			
39107		STUD	(2)			
39111		STUD	(4)			
39115		BLIND NUT	(4)			
<b>39410</b>	◆	<b>KIT FLANGES PN16</b>	1	AUX316971		
<b>39410</b>	◆	<b>KIT FLANGES PN20</b>	1	AUX316972		
39136		SCREW	(6)			
39148		ROD	(2)			
39414		FLANGE	(2)			
<b>39200</b>	◆	<b>SET CYLINDER_PISTON</b>	1	AUX320662	■	
39201		CYLINDER	(1)			●
39210		SCREW	(1)			
39301		PISTON	(1)			●
39304	◆	PISTON NUT	1	AUX240594		●
39304A		SCREW	(10)			
39306		SCREW	(2)			
<b>39206</b>	◆	<b>SET OF CVT 'O' RING SEALS</b>	1	AUX320647	■	
<b>39206</b>	◆	<b>SET OF EPDM CE1935/2004 'O' RING SEALS</b>	1	AUX320648	■	
<b>39206</b>	◆	<b>SET OF FKM CE1935/2004 'O' RING SEALS</b>	1	AUX320646	■	
39113		SEAL	(1)			●
39113A		SEAL	(1)			●
39205		SEAL	(1)			●
39305		SEAL	(2)			●
<b>39401</b>	◆	<b>FRONT COVER COMPLETE</b>	1	AUX320640		

## G-FLO 40 S

\* 1, 2, 4... : Quantity in equipment - (1), (2), (4)... : Quantity in kit

Item	Available	Description	Qty*	Ref.	Maintenance kit	Wear part
39596	◆	COMPLETE TRANSMISSION : WITHOUT BELLOWS MONITORING SYSTEM	1	AUX320243	■	●
39596	◆	WITH PRESSURE SWITCH BELLOWS MONITORING SYSTEM :				
39596	◆	WITH BMS ON THE LEFT	1	AUX320649	■	●
39596	◆	WITH BMS ON THE RIGHT	1	AUX320650	■	●
39596	◆	WITH BMS ATEX ON THE LEFT	1	AUX320651	■	●
39596	◆	WITH BMS ATEX ON THE RIGHT	1	AUX320652	■	●
39008A	◆	SET PLUGS_LIFTING EYE BOLTS	1	AUX319682		
39701		LIFTING EYE BOLTS	(1)			
39715	◆	BREATHER	1	AUX239151		●
39772		OIL LEVEL INDICATOR	(1)			
39773		PLUG	(1)			
39774		SEAL WASHER	(1)			●
39009A	◆	BEARING GASKETS _ RING SET	1	AUX320246		
39498		BUSHING	(1)			
39507		SEAL RING	(1)			●
39518		SEAL	(1)			●
39602		SEAL	(1)			
39608		LIP SEAL	(1)			●
39608A		LIP SEAL	(1)			●
39733		O-RING	(1)			●
39013		RADIAL SPRING KIT FOR SHAFT TRANSMISSION	(1)			
39016	◆	SCREWS SET FOR BELLOWS	1	AUX320663		
39529		SCREW	(4)			
39723		PIN	(1)			
39017*	◆	SET BELLOWS	1	AUX320247		
39017*	◆	SET BELLOWS WITH BMS	1	AUX320658		
39017*	◆	SET BELLOWS WITH BMS ATEX	1	AUX320659		
39018		BEARINGS KIT FOR TRANSMISSION	(1)			
39500		SHAFT	(1)			
39508		KEY	(1)			
39607		COVER	(1)			
39609		SCREW	(6)			
39704		MAIN BODY SUPPORT	(1)			
39736		BEARING	(1)			

\* Only for Agreed distributors

## G-FLO 50 S

\* 1, 2, 4... : Quantity in equipment - (1), (2), (4)... : Quantity in kit

Item	Available	Description	Qty*	Ref.	Maintenance kit	Wear part
<b>39100</b>	◆	<b>MAIN BODY G FLO 50 S</b>	1	<b>AUX320234</b>		
39101		MAIN BODY	(1)			
39108		FOOT	(1)			
39109		SCREW	(2)			
39118		INDEXER	(1)			
39119		SCREW	(2)			
39704A		BRACKET	(1)			
<b>39110</b>	◆	<b>SCREWS SET FOR MAIN BODY</b>	1	<b>AUX320236</b>		
39105		STUD	(6)			
39106		BLIND NUT	(8)			
39107		STUD	(2)			
39111		STUD	(4)			
39115		BLIND NUT	(4)			
<b>39410</b>	◆	<b>KIT FLANGES PN16</b>	1	<b>AUX319926</b>		
<b>39410</b>	◆	<b>KIT FLANGES PN20</b>	1	<b>AUX319958</b>		
39136		SCREW	(6)			
39148		ROD	(2)			
39414		FLANGE	(2)			
<b>39200</b>	◆	<b>SET CYLINDER_PISTON</b>	1	<b>AUX320209</b>	■	●
39201		CYLINDER	(1)			
39210		SCREW	(1)			
39301		PISTON	(1)			●
39304	◆	PISTON NUT	1	AUX240325		●
39304A		SCREW	(10)			
39306		SCREW	(2)			
<b>39206</b>	◆	<b>SET OF CVT 'O' RING SEALS</b>	1	<b>AUX320186</b>	■	
<b>39206</b>	◆	<b>SET OF EPDM CE1935/2004 'O' RING SEALS</b>	1	<b>AUX320187</b>	■	
<b>39206</b>	◆	<b>SET OF FKM CE1935/2004 'O' RING SEALS</b>	1	<b>AUX320185</b>	■	
39113		SEAL	(1)			●
39113A		SEAL	(1)			●
39205		SEAL	(1)			●
39305		SEAL	(2)			●
<b>39401</b>	◆	<b>FRONT COVER COMPLETE</b>	1	<b>AUX320235</b>		

## G-FLO 50 S

\* 1, 2, 4... : Quantity in equipment - (1), (2), (4)... : Quantity in kit

Item	Available	Description	Qty*	Ref.	Maintenance kit	Wear part
39596	◆	COMPLETE TRANSMISSION : WITHOUT BELLOWS MONITORING SYSTEM	1	AUX320115	■	●
		WITH PRESSURE SWITCH BELLOWS MONITORING SYSTEM :				
39596	◆	WITH BMS ON THE LEFT	1	AUX320552	■	●
39596	◆	WITH BMS ON THE RIGHT	1	AUX320553	■	●
39596	◆	WITH BMS ATEX ON THE LEFT	1	AUX320556	■	●
39596	◆	WITH BMS ATEX ON THE RIGHT	1	AUX320557	■	●
39008A	◆	SET PLUGS_LIFTING EYE BOLTS	1	AUX319682		
39701		LIFTING EYE BOLTS	(1)			
39715	◆	BREATHER	1	AUX239151		●
39772		OIL LEVEL INDICATOR	(1)			
39773		PLUG	(1)			
39774		SEAL WASHER	(1)			●
39009A	◆	BEARING GASKETS _ RING SET	1	AUX320116		
39498		BUSHING	(1)			
39507		SEAL RING	(1)			●
39518		SEAL	(1)			●
39602		SEAL	(1)			
39608		LIP SEAL	(1)			●
39608A		LIP SEAL	(1)			●
39733		O-RING	(1)			●
39013		RADIAL SPRING KIT FOR SHAFT TRANSMISSION	(1)			
39016	◆	SCREWS SET FOR BELLOWS	1	AUX319677		
39529		SCREW	(4)			
39723		PIN	(1)			
39017*	◆	SET BELLOWS	1	AUX320114		
39017*	◆	SET BELLOWS WITH BMS	1	AUX320507		
39017*	◆	SET BELLOWS WITH BMS ATEX	1	AUX320578		
39018		BEARINGS KIT FOR TRANSMISSION	(1)			
39500		SHAFT	(1)			
39508		KEY	(1)			
39607		COVER	(1)			
39609		SCREW	(6)			
39704		MAIN BODY SUPPORT	(1)			
39736		BEARING	(1)			

\* Only for Agreed distributors

## G-FLO 65 S

\* 1, 2, 4... : Quantity in equipment - (1), (2), (4)... : Quantity in kit

Item	Available	Description	Qty*	Ref.	Maintenance kit	Wear part
<b>39100</b>	◆	<b>MAIN BODY G FLO 65</b>	1	AUX319927		
39101		MAIN BODY	(1)			
39108		FOOT	(1)			
39109		SCREW	(2)			
39118		INDEXER	(1)			
39119		SCREW	(2)			
39704A		BRACKET	(1)			
<b>39110</b>	◆	<b>SCREWS SET FOR MAIN BODY</b>	1	AUX319937		
39105		STUD	(6)			
39106		BLIND NUT	(8)			
39107		STUD	(2)			
39111		STUD	(4)			
39115		BLIND NUT	(4)			
<b>39410</b>	◆	<b>KIT FLANGES PN16</b>	1	AUX319926		
<b>39410</b>	◆	<b>KIT FLANGES PN20</b>	1	AUX319958		
39136		SCREW	(6)			
39148		ROD	(2)			
39414		FLANGE	(2)			
<b>39200</b>	◆	<b>SET CYLINDER_PISTON</b>	1	AUX319913	■	
39201		CYLINDER	(1)			●
39210		SCREW	(1)			
39301		PISTON	(1)			●
39304	◆	PISTON NUT	1	AUX239099		●
39304A		SCREW	(10)			
39306		SCREW	(2)			
<b>39206</b>	◆	<b>SET OF CVT 'O' RING SEALS</b>	1	AUX319929	■	
<b>39206</b>	◆	<b>SET OF EPDM CE1935/2004 'O' RING SEALS</b>	1	AUX319950	■	
<b>39206</b>	◆	<b>SET OF FKM CE1935/2004 'O' RING SEALS</b>	1	AUX319945	■	
39113		SEAL	(1)			●
39113A		SEAL	(1)			●
39205		SEAL	(1)			●
39305		SEAL	(2)			●
<b>39401</b>	◆	<b>FRONT COVER G FLO 65</b>	1	AUX319928		



## G-FLO 65 S

\* 1, 2, 4... : Quantity in equipment - (1), (2), (4)... : Quantity in kit

Item	Available	Description	Qty*	Ref.	Maintenance kit	Wear part
39596	◆	COMPLETE TRANSMISSION	1	AUX319662	■	●
39599		TRANSMISSION	(1)			
39008A	◆	SET PLUGS_LIFTING EYE BOLTS	1	AUX319682		
39701		LIFTING EYE BOLTS	(1)			
39715	◆	BREATHER	1	AUX239151		●
39772		OIL LEVEL INDICATOR	(1)			
39773		PLUG	(1)			
39774		SEAL WASHER	(1)			●
39009A	◆	BEARING GASKETS _ RING SET	1	AUX319683		●
39507		INTERNAL RING	(1)			●
39516		CIRCLIPS	(1)			
39518		O-RING FKM	(1)			●
39602		SEAL	(1)			
39608		LIP SEAL	(1)			●
39608A		LIP SEAL	(1)			●
39733		SEAL	(1)			●
39013		RADIAL SPRING KIT FOR SHAFT TRANSMISSION	(1)			
39016	◆	SCREWS SET FOR BELLOWS	1	AUX319677		
39529		SCREW	(4)			
39723		PIN	(1)			
39017*	◆	SET BELLOWS	1	AUX319679		
39018		BEARINGS KIT FOR TRANSMISSION	(1)			
39500		SHAFT COMPLETE	(1)			
39508		KEY	(1)			
39607		BEARING COVER	(1)			
39609		SCREW	(6)			
39704		MAIN BODY SUPPORT	(1)			
39736		BEARING	(1)			

\* Only for Agreed distributors

## G-FLO 65 HP

\* 1, 2, 4... : Quantity in equipment - (1), (2), (4)... : Quantity in kit

Item	Available	Description	Qty*	Ref.	Maintenance kit	Wear part
<b>39100</b>	◆	<b>MAIN BODY G FLO 65</b>	1	AUX319927		
39101		MAIN BODY	(1)			
39108		FOOT	(1)			
39109		SCREW	(2)			
39118		INDEXER	(1)			
39119		SCREW	(2)			
39704A		BRACKET	(1)			
<b>39110</b>	◆	<b>SCREWS SET FOR MAIN BODY</b>	1	AUX319937		
39105		STUD	(6)			
39106		BLIND NUT	(8)			
39107		STUD	(2)			
39111		STUD	(4)			
39115		BLIND NUT	(4)			
<b>39410</b>	◆	<b>KIT FLANGES PN16</b>	1	AUX319926		
<b>39410</b>	◆	<b>KIT FLANGES PN20</b>	1	AUX319958		
39136		SCREW	(6)			
39148		ROD	(2)			
39414		FLANGE	(2)			
<b>39200</b>	◆	<b>SET CYLINDER_PISTON</b>	1	AUX319947	■	
39201		CYLINDER	(1)			●
39210		SCREW	(1)			
39301		PISTON	(1)			●
39304	◆	PISTON NUT	1	AUX239099		●
39304A		SCREW	(10)			
39306		SCREW	(2)			
<b>39206</b>	◆	<b>SET OF CVT 'O' RING SEALS</b>	1	AUX319929	■	
<b>39206</b>	◆	<b>SET OF EPDM CE1935/2004 'O' RING SEALS</b>	1	AUX319950	■	
<b>39206</b>	◆	<b>SET OF FKM CE1935/2004 'O' RING SEALS</b>	1	AUX319945	■	
39113		SEAL	(1)			●
39113A		SEAL	(1)			●
39205		SEAL	(1)			●
39305		SEAL	(2)			●
<b>39401</b>	◆	<b>FRONT COVER G FLO 65</b>	1	AUX319928		

## G-FLO 65 HP

\* 1, 2, 4... : Quantity in equipment - (1), (2), (4)... : Quantity in kit

Item	Available	Description	Qty*	Ref.	Maintenance kit	Wear part
39596	◆	COMPLETE TRANSMISSION	1	AUX319662	■	●
39599		TRANSMISSION	(1)			
39008A	◆	SET PLUGS_LIFTING EYE BOLTS	1	AUX319682		
39701		LIFTING EYE BOLTS	(1)			
39715	◆	BREATHER	1	AUX239151		●
39772		OIL LEVEL INDICATOR	(1)			
39773		PLUG	(1)			
39774		SEAL WASHER	(1)			●
39009A	◆	BEARING GASKETS _ RING SET	1	AUX319683		●
39507		INTERNAL RING	(1)			●
39516		CIRCLIPS	(1)			
39518		O-RING FKM	(1)			●
39602		SEAL	(1)			
39608		LIP SEAL	(1)			●
39608A		LIP SEAL	(1)			●
39733		SEAL	(1)			●
39013		RADIAL SPRING KIT FOR SHAFT TRANSMISSION	(1)			
39016	◆	SCREWS SET FOR BELLOWS	1	AUX319677		
39529		SCREW	(4)			
39723		PIN	(1)			
39017*	◆	SET BELLOWS	1	AUX319679		
39018		BEARINGS KIT FOR TRANSMISSION	(1)			
39500		SHAFT COMPLETE	(1)			
39508		KEY	(1)			
39607		BEARING COVER	(1)			
39609		SCREW	(6)			
39704		MAIN BODY SUPPORT	(1)			
39736		BEARING	(1)			

\* Only for Agreed distributors