

## **PARTS LIST**

### **PUMPS**

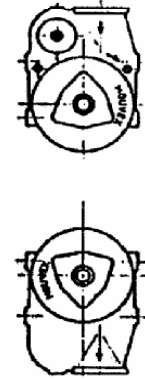
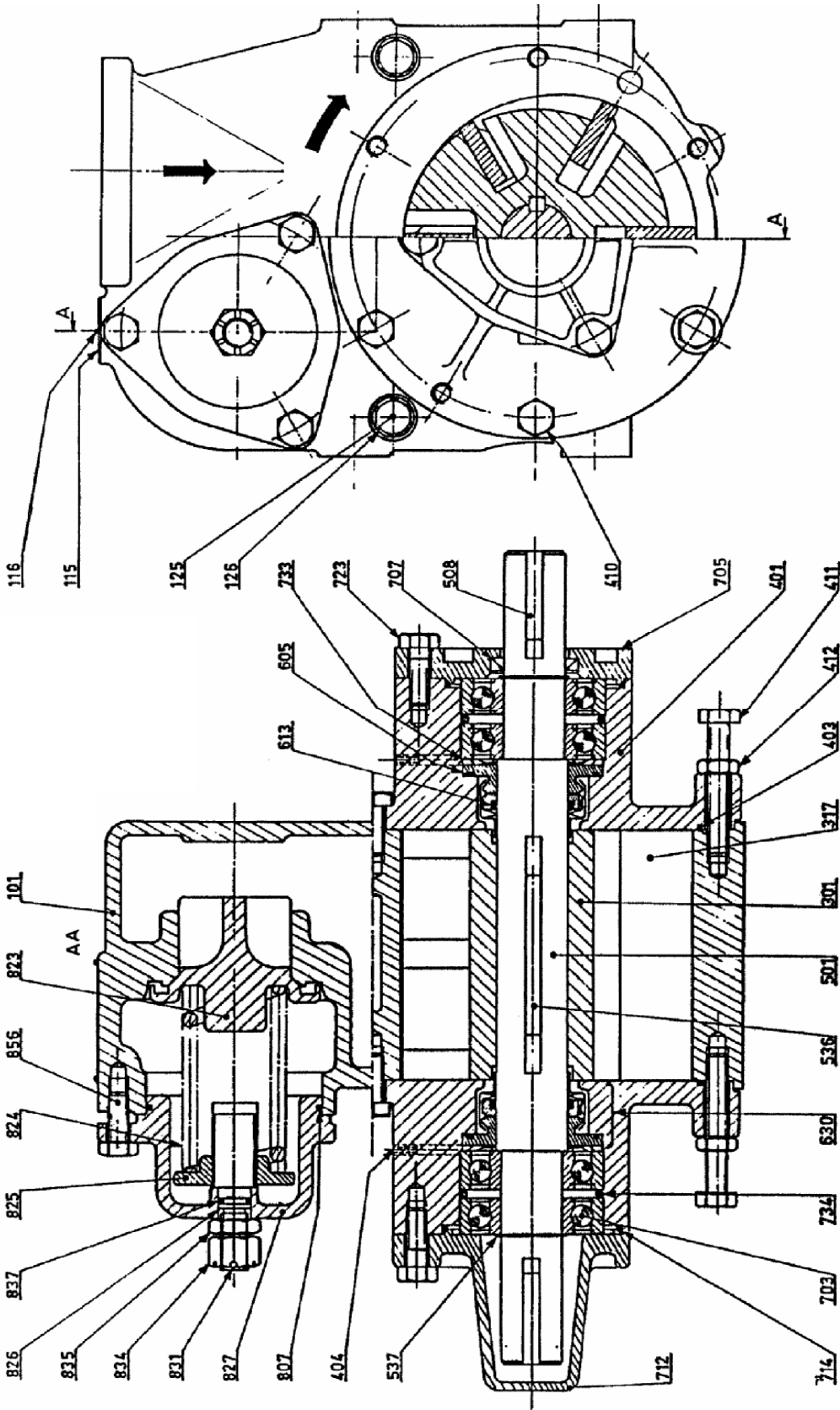
**CC8-40 A - CC8-50 A - CC8-65 A**

Keep this parts lists with Installation, Operation and Maintenance Instructions.

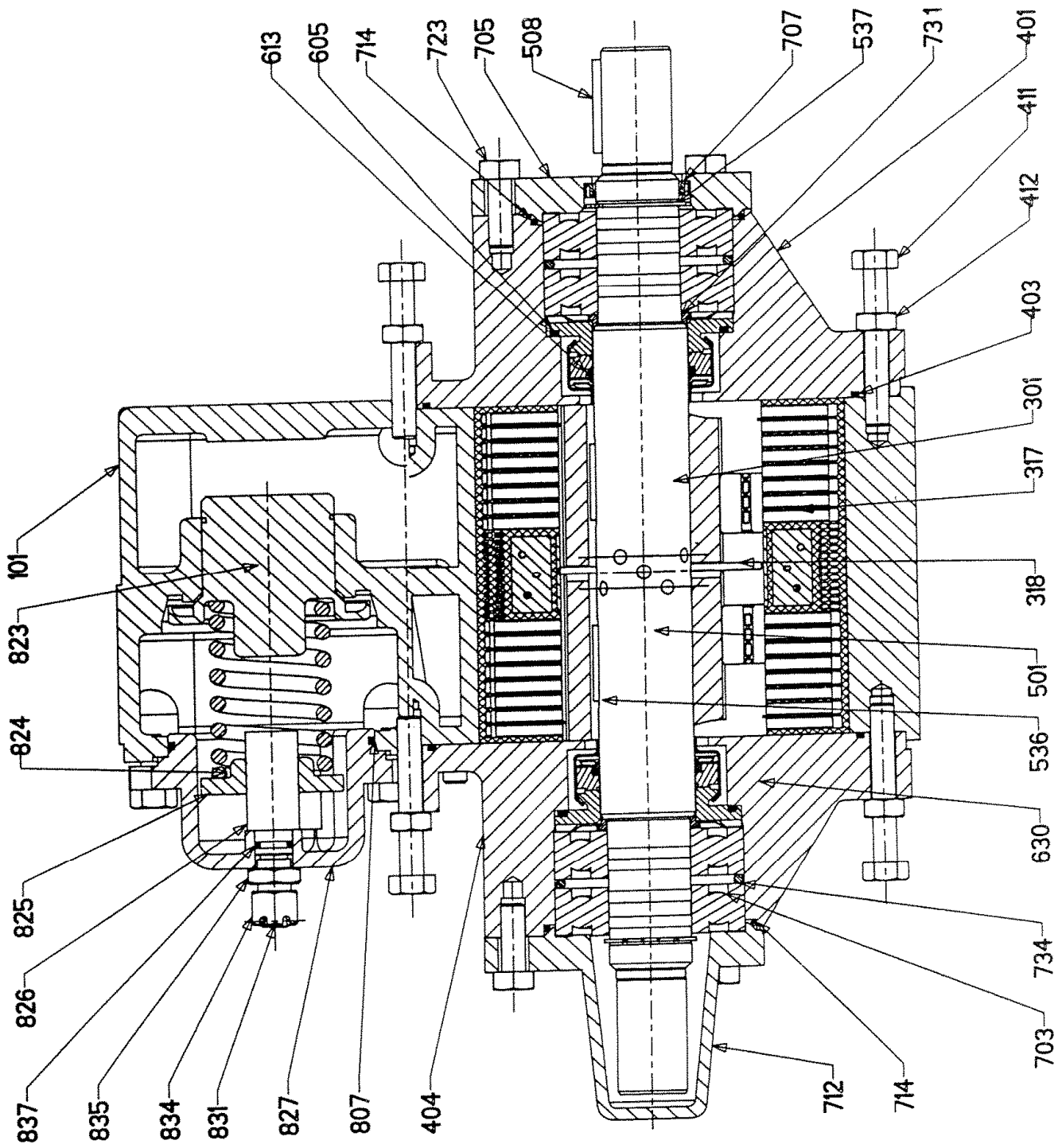
To order the required spare parts, indicate the desired Reference(s).

- ◆ Sets of parts or parts available to order.

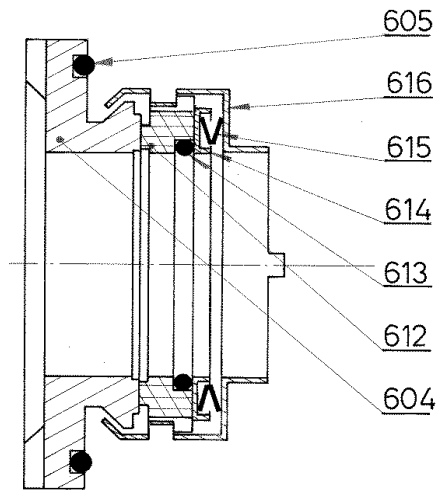
CC8-40 A - CC8-50 A - CC8-65 A



# CC8-40 AP & CC8-50 AP with 12 vanes and pushrods

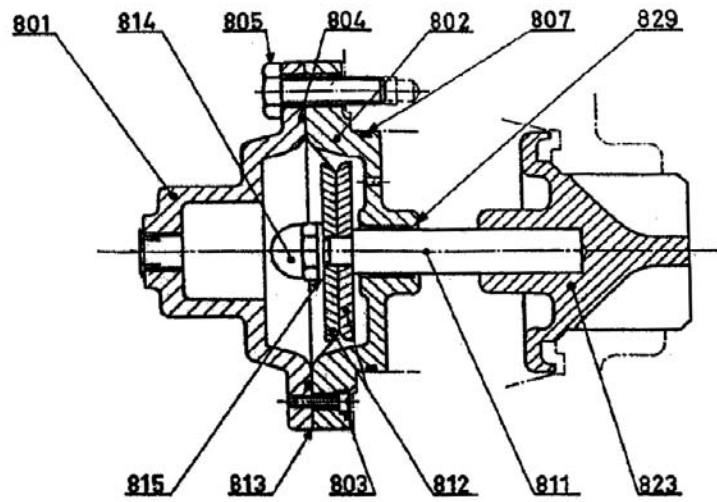


## Mechanical seal

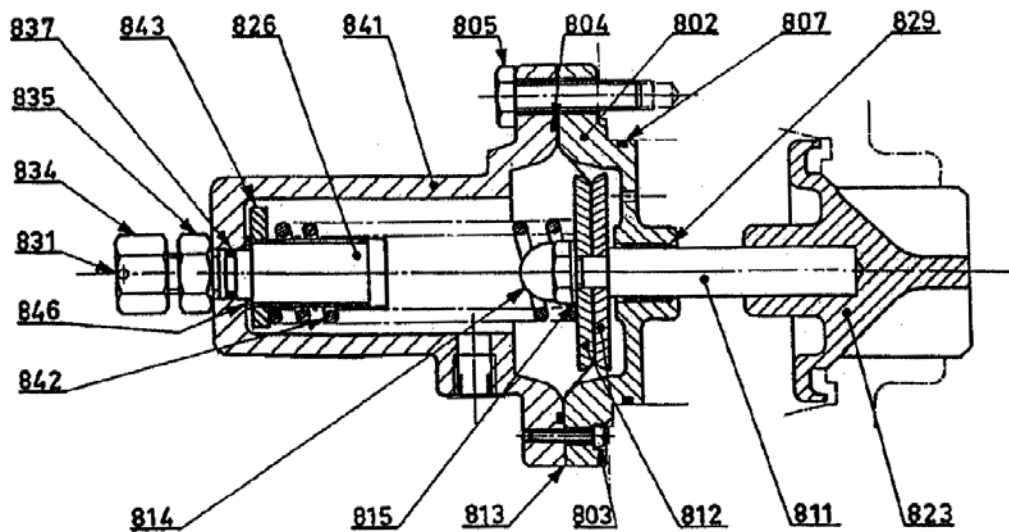


## Pneumatic bypass

Without spring

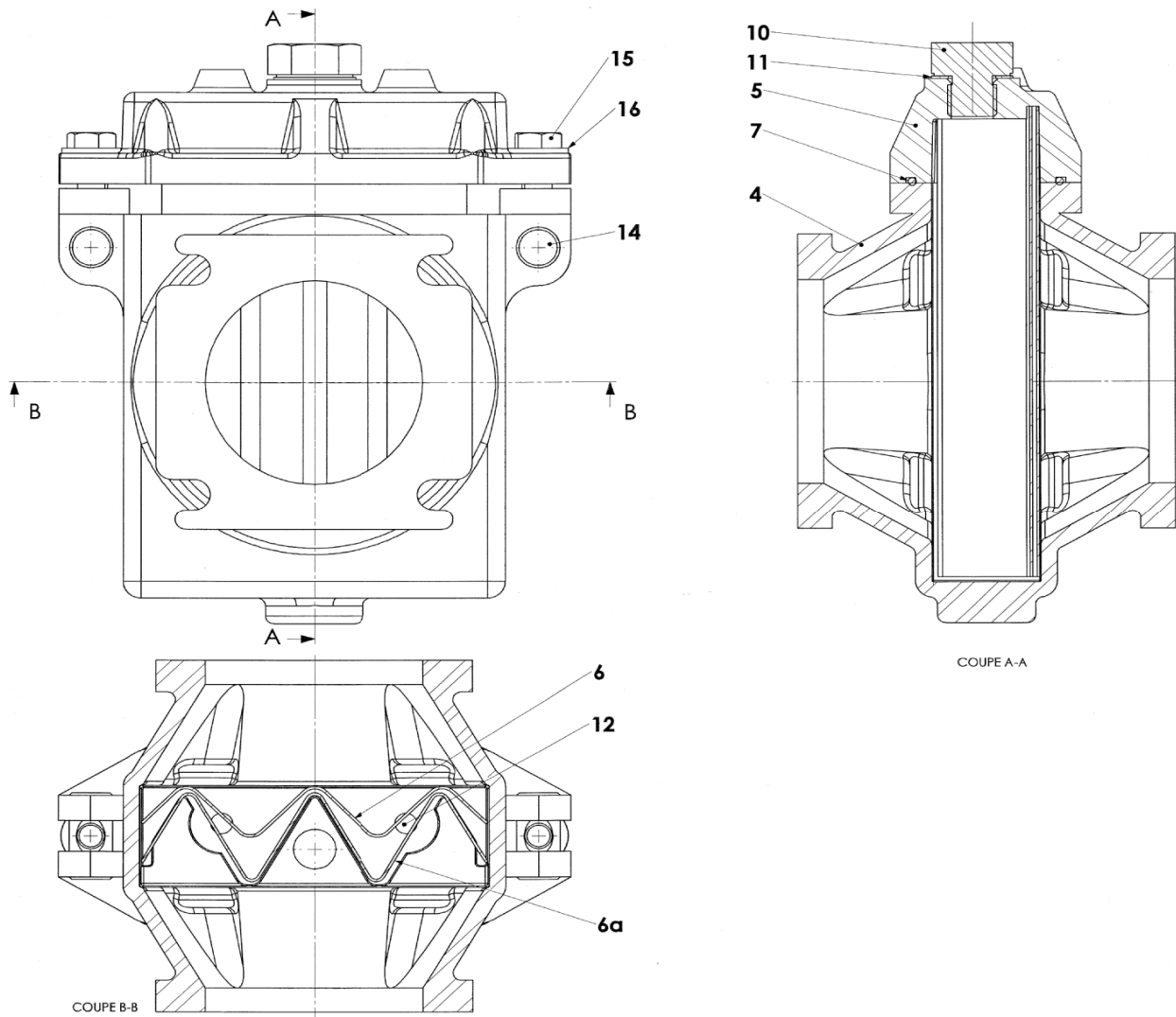


With spring

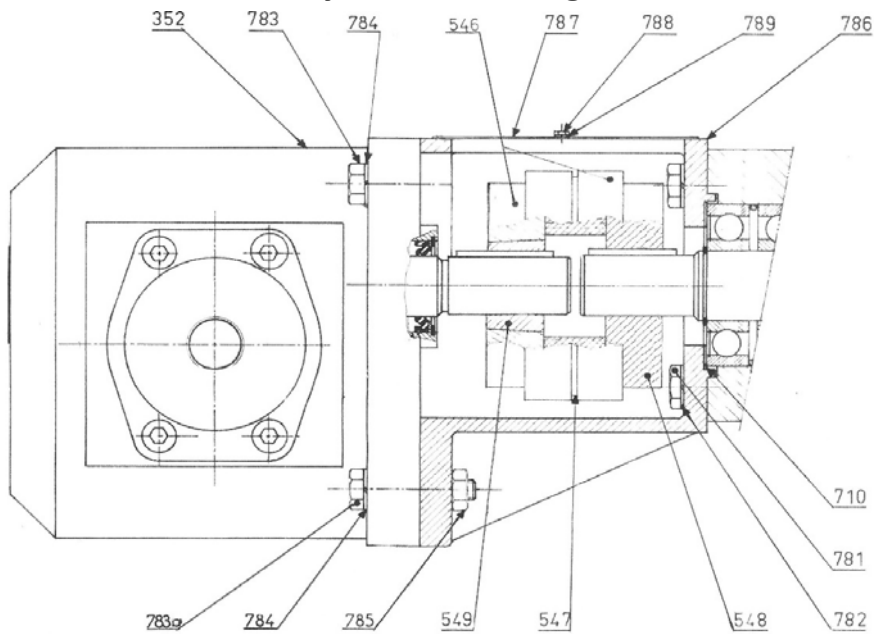


# ACCESSORIES

## Filter PF CC8



## Hydraulic driving



## CC8-40 A

\* 1, 2, 4... : Quantity in equipment - (1), (2), (4)... : Quantity in kit

Item	Available	Description	Qty*	Ref.	Maintenance kit	Wear part
98	◆	SET OF SCREWS	1	AUX304570		
410		SCREW	(8)			
411		SCREW	(4)			
412		NUT	(4)			
723		SCREW	(6)			
856		SCREW	(3)			
98C	◆	FRONT COVER EXTRACTOR CC8_28 40 50 65	1	AUX316025		
99	◆	SET OF PUMP SEALS	1	AUX302468		
126		SEAL	(2)			
403		O-RING	(2)			
807		O-RING	(1)			
100	◆	CASING ASSEMBLY	1	AUX305707		
101		BODY	(1)			
124	◆	FRONT COVER DRAIN PLUG + SEALS	1	AUX301861		
125		SCREW	(2)			
126		SEAL	(2)			
300	◆	ROTOR ASSEMBLY (6 VANES WITH HOLES)	1	AUX305708		
300	◆	ROTOR ASSEMBLY (6 VANES)	1	AUX301883		
301		ROTOR	(1)			
317		VANE	(6)			●
300	◆	ROTOR ASSEMBLY (12 VANES WITH HOLES)	1	AUX307782		
300	◆	ROTOR ASSEMBLY (12 VANES)	1	AUX307781		
301		ROTOR	(1)			
317		VANE	(12)			●
318		PUSHROD	(6)			●
309	◆	SET OF 6 VANES WITH HOLES	1	AUX305705	■	
309	◆	SET OF 6 VANES	1	AUX304369	■	
317		VANE	(6)			●
309	◆	SET OF 12 VANES TVP WITH HOLES	1	AUX307787	■	
309	◆	SET OF 12 VANES TVP	1	AUX307788	■	
317		VANE	(12)			●
325	◆	SET OF 6 PUSHRODS	1	AUX316942	■	
318		PUSHROD	(6)			●
400	◆	END PLATE ASSEMBLY	2	AUX301880		
401		FRONT COVER	(1)			
410		SCREW	(4)			
411		SCREW	(2)			
412		NUT	(2)			
708		GREASE NIPPLE	(2)			
409	◆	SET OF FRONT COVER O-RINGS	1	AUX304366	■	
403		O-RING	(2)			
500	◆	SHAFT ASSEMBLY (WITHOUT PUSHRODS)	1	AUX301885		
501		SHAFT	(1)			
599	◆	SET OF KEYS	1	AUX302467	■	
508		KEY	(1)			
536		KEY	(1)			
537		CIRCLIPS	(2)			
500	◆	SHAFT COMPLETE FOR PUMP WITH PUSHRODS	1	AUX307081		
501		SHAFT	(1)			
599	◆	SET OF KEYS - PUMP WITH PUSHRODS	1	AUX307084	■	
508		KEY	(1)			
536		KEY	(2)			
537		CIRCLIPS	(2)			
731		WASHER	(2)			

# CC8-40 A

\* 1, 2, 4... : Quantity in equipment - (1), (2), (4)... : Quantity in kit

Item	Available	Description	Qty*	Ref.	Maintenance kit	Wear part
630	◆	MECHANICAL SEAL ASSEMBLY B/I FKM	2	AUX319894	■	
630	◆	MECHANICAL SEAL ASSEMBLY CRI FKM	2	AUX301867	■	
604		STATIONARY SEAL FACE	(1)			●
605		O-RING	(1)			●
612		SEAL HOUSING	(1)			●
613		O-RING	(1)			●
614		SPRING GUIDE	(1)			
615		SPRING	(3)			
616		CAGE	(1)			
699	◆	SET OF MECHANICAL SEAL O'RINGS (605+613)	1	AUX308520		
605		O-RING	(1)			●
613		O-RING	(1)			●
700	◆	COMPLETE COVER SIDE OPPOSITE TO DRIVE SYSTEM CC8-40-50	1	AUX304699		
703		BALL BEARING	(2)			●
712		COVER	(1)			
714		O-RING	(1)			
723		SCREW	(3)			
733		METALLIC SEAL	(1)			
734		SPACER	(1)			
700A	◆	COMPLETE COVER CC8 28-40-50	1	AUX304700		
703A		BALL BEARING	(2)			
705		COVER	(1)			
707		LIP SEAL	(1)			●
714A		O-RING	(1)			
723A		SCREW	(3)			
733A		METALLIC SEAL	(1)			
734A		SPACER	(1)			
700A	◆	BEARING ASSEMBLY (FOR HYDRAULIC DRIVE)	1	AUX305516		
703A		BALL BEARING	(2)			
733A		METALLIC SEAL	(1)			
734A		SPACER	(1)			
704	◆	SET OF 4 BALL BEARINGS	1	AUX312102	■	
703		BALL BEARING	(4)			●
704A	◆	SET OF PLUGS 404	1	AUX312103		
404		PLUG	(2)			
715	◆	SET OF COVER SEALS (707+714+733)	1	AUX304720	■	
707		LIP SEAL	(1)			●
714		O-RING	(2)			
733		METALLIC SEAL	(2)			
771	◆	SAE-A HYDRAULIC TRUNK ASSEMBLY	1	AUX318898		
546A	◆	COUPLING	1	AUX220754		
710	◆	SHIM	1	AUX204831		
781		SCREW	(3)			
782		WASHER	(3)			
786	◆	HYDRAULIC TRUNK	1	AUX237195		
787		COVER	(1)			
788		SCREW	(4)			
789		WASHER	(4)			

## CC8-40 A

\* 1, 2, 4... : Quantity in equipment - (1), (2), (4)... : Quantity in kit

Item	Available	Description	Qty*	Ref.	Maintenance kit	Wear part
<b>771</b>	◆	<b>CBN HYDRAULIC TRUNK ASSEMBLY</b>	<b>1</b>	<b>AUX304155</b>		
546A	◆	COMPLETE COUPLING	1	AUX307286		
546		COUPLING FLANGE	(1)			
547	◆	ELASTIC TRANSITIONAL RING	1	AUX209603		●
548		COUPLING FLANGE D30	(1)			
549		COUPLING SLEEVE D24	(1)			
549A		COUPLING SLEEVE D22	(1)			
710	◆	SHIM	1	AUX204831		
781		SCREW	(3)			
782		WASHER	(3)			
783		SCREW	(2)			
783A		SCREW	(2)			
784		WASHER	(4)			
785		NUT	(2)			
786	◆	HYDRAULIC TRUNK	1	AUX228594		
787		COVER	(1)			
788		SCREW	(2)			
789		WASHER	(2)			
<b>800</b>	◆	<b>PNEUMATIC BYPASS WITHOUT SPRING WITHOUT PRESSURE LIMITER</b>	<b>1</b>	<b>AUX311232</b>		
801		COVER	(1)			
802		PLATE	(1)			
803		SCREW	(2)			
804		O-RING	(1)			
805		SCREW	(3)			
807		O-RING	(1)			
810	◆	MEMBRANE PUSHRODS ASSEMBLY CC8 40-50-65 A	1	AUX301898		
811		SHAFT	(1)			
812		MEMBRANE DISC	(2)			
813	◆	MEMBRANE	1	AUX204848	■	●
814		BLIND NUT	(1)			
815		SEAL	(1)			
823	◆	VALVE	1	AUX218445		
829		BEARING	(1)			
<b>800</b>	◆	<b>PNEUMATIC BYPASS WITHOUT SPRING WITH PRESSURE LIMITER</b>	<b>1</b>	<b>AUX301897</b>		
801		COVER	(1)			
802		PLATE	(1)			
803		SCREW	(2)			
804		O-RING	(1)			
805		SCREW	(3)			
807		O-RING	(1)			
810	◆	MEMBRANE PUSHRODS ASSEMBLY CC8 40-50-65 A	1	AUX301898		
811		SHAFT	(1)			
812		MEMBRANE DISC	(2)			
813	◆	MEMBRANE	1	AUX204848	■	●
814		BLIND NUT	(1)			
815		SEAL	(1)			
823	◆	VALVE	1	AUX218445		
829		BEARING	(1)			
930	◆	PRESSURE LIMITER 5,5 BAR	1	AUX303353		
<b>816</b>	◆	<b>PNEUMATIC BYPASS O'RINGS (804+807)</b>	<b>1</b>	<b>AUX301899</b>		
804		O-RING	(1)			
807		O-RING	(1)			



## CC8-40 A

\* 1, 2 ,4... : Quantity in equipment - (1), (2), (4)... : Quantity in kit

Item	Available	Description	Qty*	Ref.	Maintenance kit	Wear part
<b>820</b>	◆	<b>COMPLETE MECHANICAL BYPASS</b>	<b>1</b>	<b>AUX301891</b>		
823A	◆	COMPENSATED VALVE	1	AUX204839		
827		BYPASS CAP	(1)			
898	◆	PRESSURE SCREW ASSEMBLY	1	AUX301893		
807A		O-RING	(1)			
825		SPRING BASE	(1)			
826		ADJUSTING SCREW	(1)			
831		PIN	(1)			
834		NUT	(1)			
835		NUT	(1)			
837		O-RING	(1)			
856		SCREW	(3)			
<b>820</b>	◆	<b>PNEUMATIC BYPASS WITH SPRING WITHOUT PRESSURE LIMITER</b>	<b>1</b>	<b>AUX311545</b>		
802		PLATE	(1)			
803		SCREW	(2)			
804		O-RING	(1)			
805		SCREW	(3)			
807		O-RING	(1)			
810	◆	MEMBRANE PUSHRODS ASSEMBLY CC8 40-50-65 A	1	AUX301898		
811		SHAFT	(1)			
812		MEMBRANE DISC	(2)			
813	◆	MEMBRANE	1	AUX204848	■	●
814		BLIND NUT	(1)			
815		SEAL	(1)			
823	◆	VALVE	1	AUX211605		
829		BEARING	(1)			
841		CAP	(1)			
845	◆	PRESSURE SCREW ASSEMBLY	1	AUX301901		
826		ADJUSTING SCREW	(1)			
831		PIN	(1)			
834		NUT	(1)			
835		NUT	(1)			
837		O-RING	(1)			
842	◆	SPRING	1	AUX201222		
843		SPRING GUIDE	(1)			
846		WASHER	(1)			
<b>824</b>	◆	<b>SPRING 4 BAR</b>	<b>1</b>	<b>AUX219106</b>		
<b>824</b>	◆	<b>8 BAR SPRING</b>	<b>1</b>	<b>AUX204891</b>		

## CC8-40 A

\* 1, 2, 4... : Quantity in equipment - (1), (2), (4)... : Quantity in kit

Item	Available	Description	Qty*	Ref.	Maintenance kit	Wear part
<b>840</b>	◆	<b>PNEUMATIC BYPASS WITH SPRING WITH PRESSURE LIMITER</b>	<b>1</b>	<b>AUX301900</b>		
802A		PLATE	(1)			
803		SCREW	(2)			
804		O-RING	(1)			
805		SCREW	(3)			
807		O-RING	(1)			
810	◆	<b>MEMBRANE PUSHRODS ASSEMBLY CC8 40-50-65 A</b>	<b>1</b>	<b>AUX301898</b>		
811		SHAFT	(1)			
812		MEMBRANE DISC	(2)			
813	◆	MEMBRANE	1	AUX204848	■	●
814		BLIND NUT	(1)			
815		SEAL	(1)			
823	◆	VALVE	1	AUX211605		
829		BEARING	(1)			
841		CAP	(1)			
845	◆	<b>PRESSURE SCREW ASSEMBLY</b>	<b>1</b>	<b>AUX301901</b>		
826		ADJUSTING SCREW	(1)			
831		PIN	(1)			
834		NUT	(1)			
835		NUT	(1)			
837		O-RING	(1)			
842	◆	SPRING	1	AUX201222		
843		SPRING GUIDE	(1)			
846		WASHER	(1)			
930	◆	<b>PRESSURE LIMITER 3,6 BAR</b>	<b>1</b>	<b>AUX303352</b>		
<b>844</b>	◆	<b>FULL SET OF SEALS + SCREWS</b>	<b>1</b>	<b>AUX301902</b>		
804		O-RING	(1)			
807		O-RING	(1)			
831		PIN	(1)			
834		NUT	(1)			
835		NUT	(1)			
837		O-RING	(1)			
<b>899</b>	◆	<b>SET OF BYPASS SEALS</b>	<b>1</b>	<b>AUX301895</b>		
807		O-RING	(1)			
831		PIN	(1)			
834		NUT	(1)			
835		NUT	(1)			
837		O-RING	(1)			

# CC8-50 A

\* 1, 2, 4... : Quantity in equipment - (1), (2), (4)... : Quantity in kit

Item	Available	Description	Qty*	Ref.	Maintenance kit	Wear part
98	◆	SET OF SCREWS	1	AUX304570		
410		SCREW	(8)			
411		SCREW	(4)			
412		NUT	(4)			
723		SCREW	(6)			
856		SCREW	(3)			
98C	◆	FRONT COVER EXTRACTOR CC8_28 40 50 65	1	AUX316025		
99	◆	SET OF PUMP SEALS	1	AUX302468		
126		SEAL	(2)			
403		O-RING	(2)			
807		O-RING	(1)			
100	◆	CASING ASSEMBLY	1	AUX301882		
101		BODY	(1)			
124	◆	FRONT COVER DRAIN PLUG + SEALS	1	AUX301861		
125		SCREW	(2)			
126		SEAL	(2)			
300	◆	ROTOR ASSEMBLY (6 VANES WITH HOLES)	1	AUX305708		
300	◆	ROTOR ASSEMBLY (6 VANES)	1	AUX301883		
301		ROTOR	(1)			
317		VANE	(6)			●
300	◆	ROTOR ASSEMBLY (12 VANES)	1	AUX311320		
300	◆	ROTOR ASSEMBLY (12 VANES WITH HOLES)	1	AUX306000		
301		ROTOR	(1)			
317		VANE	(12)			●
318		PUSHROD	(6)			●
309	◆	SET OF 6 VANES WITH HOLES	1	AUX305705	■	
309	◆	SET OF 6 VANES	1	AUX304369	■	
317		VANE	(6)			●
309	◆	SET OF 12 VANES TVP WITH HOLES	1	AUX307787	■	
309	◆	SET OF 12 VANES TVP	1	AUX307788	■	
317		VANE	(12)			●
325	◆	SET OF 6 PUSHRODS	1	AUX308722	■	
318		PUSHROD	(6)			●
400	◆	END PLATE ASSEMBLY	2	AUX301880		
401		FRONT COVER	(1)			
410		SCREW	(4)			
411		SCREW	(2)			
412		NUT	(2)			
708		GREASE NIPPLE	(2)			
409	◆	SET OF FRONT COVER O-RINGS	1	AUX304366	■	
403		O-RING	(2)			
500	◆	SHAFT ASSEMBLY (WITHOUT PUSHRODS)	1	AUX301885		
501		SHAFT	(1)			
599	◆	SET OF KEYS	1	AUX302467	■	
508		KEY	(1)			
536		KEY	(1)			
537		CIRCLIPS	(2)			
500	◆	SHAFT COMPLETE FOR PUMP WITH PUSHRODS	1	AUX307081		
501		SHAFT	(1)			
599	◆	SET OF KEYS - PUMP WITH PUSHRODS	1	AUX307084	■	
508		KEY	(1)			
536		KEY	(2)			
537		CIRCLIPS	(2)			
731		WASHER	(2)			

# CC8-50 A

\* 1, 2, 4... : Quantity in equipment - (1), (2), (4)... : Quantity in kit

Item	Available	Description	Qty*	Ref.	Maintenance kit	Wear part
630	◆	MECHANICAL SEAL ASSEMBLY B/I FKM	2	AUX319894	■	
630	◆	MECHANICAL SEAL ASSEMBLY CRI FKM	2	AUX301867	■	
604		STATIONARY SEAL FACE	(1)			●
605		O-RING	(1)			●
612		SEAL HOUSING	(1)			●
613		O-RING	(1)			●
614		SPRING GUIDE	(1)			
615		SPRING	(3)			
616		CAGE	(1)			
699	◆	SET OF MECHANICAL SEAL O'RINGS (605+613)	1	AUX308520		
605		O-RING	(1)			●
613		O-RING	(1)			●
700	◆	COMPLETE COVER SIDE OPPOSITE TO DRIVE SYSTEM CC8-40-50	1	AUX304699		
703		BALL BEARING	(2)			●
712		COVER	(1)			
714		O-RING	(1)			
723		SCREW	(3)			
733		METALLIC SEAL	(1)			
734		SPACER	(1)			
700A	◆	COMPLETE COVER CC8 28-40-50	1	AUX304700		
703A		BALL BEARING	(2)			
705		COVER	(1)			
707		LIP SEAL	(1)			●
714A		O-RING	(1)			
723A		SCREW	(3)			
733A		METALLIC SEAL	(1)			
734A		SPACER	(1)			
700A	◆	BEARING ASSEMBLY (FOR HYDRAULIC DRIVE)	1	AUX305516		
703A		BALL BEARING	(2)			
733A		METALLIC SEAL	(1)			
734A		SPACER	(1)			
704	◆	SET OF 4 BALL BEARINGS	1	AUX312102	■	
703		BALL BEARING	(4)			●
704A	◆	SET OF PLUGS 404	1	AUX312103		
404		PLUG	(2)			
715	◆	SET OF COVER SEALS (707+714+733)	1	AUX304720	■	
707		LIP SEAL	(1)			●
714		O-RING	(2)			
733		METALLIC SEAL	(2)			
771	◆	SAE-A HYDRAULIC TRUNK ASSEMBLY	1	AUX318898		
546A	◆	COUPLING	1	AUX220754		
710	◆	SHIM	1	AUX204831		
781		SCREW	(3)			
782		WASHER	(3)			
786	◆	HYDRAULIC TRUNK	1	AUX237195		
787		COVER	(1)			
788		SCREW	(4)			
789		WASHER	(4)			

# CC8-50 A

\* 1, 2, 4... : Quantity in equipment - (1), (2), (4)... : Quantity in kit

Item	Available	Description	Qty*	Ref.	Maintenance kit	Wear part
<b>771</b>	◆	<b>CBN HYDRAULIC TRUNK ASSEMBLY</b>	<b>1</b>	<b>AUX304155</b>		
546A	◆	COMPLETE COUPLING	1	AUX307286		
546		COUPLING FLANGE	(1)			
547	◆	ELASTIC TRANSITIONAL RING	1	AUX209603		●
548		COUPLING FLANGE D30	(1)			
549		COUPLING SLEEVE D24	(1)			
549A		COUPLING SLEEVE D22	(1)			
710	◆	SHIM	1	AUX204831		
781		SCREW	(3)			
782		WASHER	(3)			
783		SCREW	(2)			
783A		SCREW	(2)			
784		WASHER	(4)			
785		NUT	(2)			
786	◆	HYDRAULIC TRUNK	1	AUX228594		
787		COVER	(1)			
788		SCREW	(2)			
789		WASHER	(2)			
<b>800</b>	◆	<b>PNEUMATIC BYPASS WITHOUT SPRING WITHOUT PRESSURE LIMITER</b>	<b>1</b>	<b>AUX311232</b>		
801		COVER	(1)			
802		PLATE	(1)			
803		SCREW	(2)			
804		O-RING	(1)			
805		SCREW	(3)			
807		O-RING	(1)			
810	◆	MEMBRANE PUSHRODS ASSEMBLY CC8 40-50-65 A	1	AUX301898		
811		SHAFT	(1)			
812		MEMBRANE DISC	(2)			
813	◆	MEMBRANE	1	AUX204848	■	●
814		BLIND NUT	(1)			
815		SEAL	(1)			
823	◆	VALVE	1	AUX218445		
829		BEARING	(1)			
<b>800</b>	◆	<b>PNEUMATIC BYPASS WITHOUT SPRING WITH PRESSURE LIMITER</b>	<b>1</b>	<b>AUX301897</b>		
801		COVER	(1)			
802		PLATE	(1)			
803		SCREW	(2)			
804		O-RING	(1)			
805		SCREW	(3)			
807		O-RING	(1)			
810	◆	MEMBRANE PUSHRODS ASSEMBLY CC8 40-50-65 A	1	AUX301898		
811		SHAFT	(1)			
812		MEMBRANE DISC	(2)			
813	◆	MEMBRANE	1	AUX204848	■	●
814		BLIND NUT	(1)			
815		SEAL	(1)			
823	◆	VALVE	1	AUX218445		
829		BEARING	(1)			
930	◆	PRESSURE LIMITER 5,5 BAR	1	AUX303353		
<b>816</b>	◆	<b>PNEUMATIC BYPASS O'RINGS (804+807)</b>	<b>1</b>	<b>AUX301899</b>		
804		O-RING	(1)			
807		O-RING	(1)			

## CC8-50 A

\* 1, 2, 4... : Quantity in equipment - (1), (2), (4)... : Quantity in kit

Item	Available	Description	Qty*	Ref.	Maintenance kit	Wear part
<b>820</b>	◆	<b>COMPLETE MECHANICAL BYPASS</b>	<b>1</b>	<b>AUX301891</b>		
823A	◆	COMPENSATED VALVE	1	AUX204839		
827		BYPASS CAP	(1)			
898	◆	PRESSURE SCREW ASSEMBLY	1	AUX301893		
807A		O-RING	(1)			
825		SPRING BASE	(1)			
826		ADJUSTING SCREW	(1)			
831		PIN	(1)			
834		NUT	(1)			
835		NUT	(1)			
837		O-RING	(1)			
856		SCREW	(3)			
<b>820</b>	◆	<b>PNEUMATIC BYPASS WITH SPRING WITHOUT PRESSURE LIMITER</b>	<b>1</b>	<b>AUX311545</b>		
802		PLATE	(1)			
803		SCREW	(2)			
804		O-RING	(1)			
805		SCREW	(3)			
807		O-RING	(1)			
810	◆	MEMBRANE PUSHRODS ASSEMBLY CC8 40-50-65 A	1	AUX301898		
811		SHAFT	(1)			
812		MEMBRANE DISC	(2)			
813	◆	MEMBRANE	1	AUX204848	■	●
814		BLIND NUT	(1)			
815		SEAL	(1)			
823	◆	VALVE	1	AUX211605		
829		BEARING	(1)			
841		CAP	(1)			
845	◆	PRESSURE SCREW ASSEMBLY	1	AUX301901		
826		ADJUSTING SCREW	(1)			
831		PIN	(1)			
834		NUT	(1)			
835		NUT	(1)			
837		O-RING	(1)			
842	◆	SPRING	1	AUX201222		
843		SPRING GUIDE	(1)			
846		WASHER	(1)			
<b>824</b>	◆	<b>SPRING 4 BAR</b>	<b>1</b>	<b>AUX219106</b>		
<b>824</b>	◆	<b>8 BAR SPRING</b>	<b>1</b>	<b>AUX204891</b>		

## CC8-50 A

\* 1, 2, 4... : Quantity in equipment - (1), (2), (4)... : Quantity in kit

Item	Available	Description	Qty*	Ref.	Maintenance kit	Wear part
<b>840</b>	◆	<b>PNEUMATIC BYPASS WITH SPRING WITH PRESSURE LIMITER</b>	<b>1</b>	<b>AUX301900</b>		
802A		PLATE	(1)			
803		SCREW	(2)			
804		O-RING	(1)			
805		SCREW	(3)			
807		O-RING	(1)			
810	◆	MEMBRANE PUSHRODS ASSEMBLY CC8 40-50-65 A	1	AUX301898		
811		SHAFT	(1)			
812		MEMBRANE DISC	(2)			
813	◆	MEMBRANE	1	AUX204848	■	●
814		BLIND NUT	(1)			
815		SEAL	(1)			
823	◆	VALVE	1	AUX211605		
829		BEARING	(1)			
841		CAP	(1)			
845	◆	PRESSURE SCREW ASSEMBLY	1	AUX301901		
826		ADJUSTING SCREW	(1)			
831		PIN	(1)			
834		NUT	(1)			
835		NUT	(1)			
837		O-RING	(1)			
842	◆	SPRING	1	AUX201222		
843		SPRING GUIDE	(1)			
846		WASHER	(1)			
930	◆	PRESSURE LIMITER 3,6 BAR	1	AUX303352		
<b>844</b>	◆	<b>FULL SET OF SEALS + SCREWS</b>	<b>1</b>	<b>AUX301902</b>		
804		O-RING	(1)			
807		O-RING	(1)			
831		PIN	(1)			
834		NUT	(1)			
835		NUT	(1)			
837		O-RING	(1)			
<b>899</b>	◆	<b>SET OF BYPASS SEALS</b>	<b>1</b>	<b>AUX301895</b>		
807		O-RING	(1)			
831		PIN	(1)			
834		NUT	(1)			
835		NUT	(1)			
837		O-RING	(1)			

# CC8-65 A

\* 1, 2, 4... : Quantity in equipment - (1), (2), (4)... : Quantity in kit

Item	Available	Description	Qty*	Ref.	Maintenance kit	Wear part
98	◆	<b>FULL SET OF SCREWS</b>	1	AUX301865		
410		SCREW	(8)			
411		SCREW	(4)			
412		NUT	(4)			
723		SCREW	(6)			
856		SCREW	(3)			
98C	◆	<b>FRONT COVER EXTRACTOR CC8_28 40 50 65</b>	1	AUX316025		
99	◆	<b>SET OF PUMP SEALS</b>	1	AUX301914		
126		SEAL	(2)			
403		O-RING	(2)			
807		O-RING	(1)			
100	◆	<b>CASING ASSEMBLY</b>	1	AUX301908		
101		BODY	(1)			
124	◆	<b>FRONT COVER DRAIN PLUG + SEALS</b>	1	AUX301861		
125		SCREW	(2)			
126		SEAL	(2)			
300	◆	<b>ROTOR ASSEMBLY (6 VANES)</b>	1	AUX301909		
300	◆	<b>ROTOR ASSEMBLY (6 VANES WITH HOLES)</b>	1	AUX302475		
301		ROTOR	(1)			
317		VANE	(6)			●
309	◆	<b>SET OF 6 VANES</b>	1	AUX304377	■	
309	◆	<b>SET OF 6 VANES WITH HOLES</b>	1	AUX304380	■	
317		VANE	(6)			●
400	◆	<b>END PLATE ASSEMBLY</b>	2	AUX301911		
401		FRONT COVER	(1)			
404		PIN	(2)			
410		SCREW	(4)			
411		SCREW	(2)			
412		NUT	(2)			
409	◆	<b>SET OF FRONT COVER O-RINGS</b>	1	AUX304378	■	
403		O-RING	(2)			
500	◆	<b>SHAFT ASSEMBLY</b>	1	AUX301912		
501		SHAFT	(1)			
599	◆	<b>SET OF KEYS</b>	1	AUX301913	■	
508		KEY	(1)			
536		KEY	(1)			
537		CIRCLIPS	(2)			
630	◆	<b>MECHANICAL SEAL ASSEMBLY B/I FKM HT</b>	2	AUX301917	■	
630	◆	<b>MECHANICAL SEAL ASSEMBLY CRI FKM</b>	2	AUX301916	■	
604		STATIONARY SEAL FACE	(1)			●
605		O-RING	(1)			●
612		SEAL HOUSING	(1)			●
613		O-RING	(1)			●
614		SPRING GUIDE	(1)			
615		SPRING	(3)			
616		CAGE	(1)			
699	◆	<b>SET OF MECHANICAL SEAL SEALS FKM</b>	1	AUX301918		
699	◆	<b>SET OF MECHANICAL SEAL SEALS FKM HT</b>	1	AUX301919		
605		O-RING	(2)			●
613		O-RING	(2)			●
700	◆	<b>COMPLETE COVER SIDE OPPOSITE TO DRIVE SYSTEM CC8-65 A</b>	1	AUX304712		
703		BALL BEARING	(2)			●
712		COVER	(1)			
714		O-RING	(1)			
723		SCREW	(3)			
733		METALLIC SEAL	(1)			
734		SPACER	(1)			



# CC8-65 A

\* 1, 2, 4... : Quantity in equipment - (1), (2), (4)... : Quantity in kit

Item	Available	Description	Qty*	Ref.	Maintenance kit	Wear part
<b>700A</b>	◆	<b>COMPLETE COVER DRIVE SIDE CC8 65 A</b>	<b>1</b>	<b>AUX304713</b>		
703A		BALL BEARING	(2)			
705		COVER	(1)			
707		LIP SEAL	(1)			●
714A		O-RING	(1)			
723A		SCREW	(3)			
733A		METALLIC SEAL	(1)			
734A		SPACER	(1)			
<b>700A</b>	◆	<b>BEARING ASSEMBLY (FOR HYDRAULIC DRIVE)</b>	<b>1</b>	<b>AUX305518</b>		
703B		BALL BEARING	(2)			
733B		METALLIC SEAL	(1)			
734B		SPACER	(1)			
<b>704</b>	◆	<b>SET OF 4 BALL BEARINGS</b>	<b>1</b>	<b>AUX304379</b>	■	●
703		BALL BEARING	(4)			
721		SCREW	(4)			
<b>715</b>	◆	<b>SET OF COVER SEALS (707+714+733)</b>	<b>1</b>	<b>AUX304722</b>	■	●
707		LIP SEAL	(1)			
714		O-RING	(2)			
733		METALLIC SEAL	(2)			
<b>771</b>	◆	<b>SAE-A HYDRAULIC TRUNK ASSEMBLY</b>	<b>1</b>	<b>AUX318898</b>		
546A	◆	COUPLING	1	AUX220754		
710	◆	SHIM	1	AUX204831		
781		SCREW	(3)			
782		WASHER	(3)			
786	◆	HYDRAULIC TRUNK	1	AUX237195		
787		COVER	(1)			
788		SCREW	(4)			
789		WASHER	(4)			
<b>771</b>	◆	<b>CBN HYDRAULIC TRUNK ASSEMBLY</b>	<b>1</b>	<b>AUX304155</b>		
546A	◆	COMPLETE COUPLING	1	AUX307286		
546		COUPLING FLANGE	(1)			
547	◆	ELASTIC TRANSITIONAL RING	1	AUX209603		●
548		COUPLING FLANGE D30	(1)			
549		COUPLING SLEEVE D24	(1)			
549A		COUPLING SLEEVE D22	(1)			
710	◆	SHIM	1	AUX204831		
781		SCREW	(3)			
782		WASHER	(3)			
783		SCREW	(2)			
783A		SCREW	(2)			
784		WASHER	(4)			
785		NUT	(2)			
786	◆	HYDRAULIC TRUNK	1	AUX228594		
787		COVER	(1)			
788		SCREW	(2)			
789		WASHER	(2)			

## CC8-65 A

\* 1, 2, 4... : Quantity in equipment - (1), (2), (4)... : Quantity in kit

Item	Available	Description	Qty*	Ref.	Maintenance kit	Wear part
<b>800</b>	◆	<b>PNEUMATIC BYPASS WITHOUT SPRING WITH PRESSURE LIMITER</b>	<b>1</b>	<b>AUX304567</b>		
801		COVER	(1)			
802		PLATE	(1)			
803		SCREW	(2)			
804		O-RING	(1)			
805		SCREW	(3)			
807		O-RING	(1)			
810	◆	MEMBRANE PUSHRODS ASSEMBLY CC8 40-50-65 A	1	AUX301898		
811		SHAFT	(1)			
812		MEMBRANE DISC	(2)			
813	◆	MEMBRANE	1	AUX204848	■	●
814		BLIND NUT	(1)			
815		SEAL	(1)			
823	◆	VALVE	1	AUX218445		
829		BEARING	(1)			
930	◆	PRESSURE LIMITER 5,5 BAR	1	AUX303353		
<b>816</b>	◆	<b>PNEUMATIC BYPASS O'RINGS (804+807)</b>	<b>1</b>	<b>AUX301899</b>		
804		O-RING	(1)			
807		O-RING	(1)			
<b>820</b>	◆	<b>BYPASS COMPLETE</b>	<b>1</b>	<b>AUX304571</b>		
823A	◆	COMPENSATED VALVE	1	AUX204839		
827		BYPASS CAP	(1)			
898	◆	PRESSURE SCREW ASSEMBLY	1	AUX304566		
807A		O-RING	(1)			
825		SPRING BASE	(1)			
826A		ADJUSTING SCREW	(1)			
831		PIN	(1)			
834		NUT	(1)			
835		NUT	(1)			
837		O-RING	(1)			
856		SCREW	(3)			
<b>824</b>	◆	<b>SPRING 4 BAR</b>	<b>1</b>	<b>AUX219106</b>		
<b>824</b>	◆	<b>8 BAR SPRING</b>	<b>1</b>	<b>AUX204891</b>		
<b>840</b>	◆	<b>PNEUMATIC BYPASS WITH SPRING WITH PRESSURE LIMITER</b>	<b>1</b>	<b>AUX301900</b>		
802A		PLATE	(1)			
803		SCREW	(2)			
804		O-RING	(1)			
805		SCREW	(3)			
807		O-RING	(1)			
810	◆	MEMBRANE PUSHRODS ASSEMBLY CC8 40-50-65 A	1	AUX301898		
811		SHAFT	(1)			
812		MEMBRANE DISC	(2)			
813	◆	MEMBRANE	1	AUX204848	■	●
814		BLIND NUT	(1)			
815		SEAL	(1)			
823	◆	VALVE	1	AUX211605		
829		BEARING	(1)			
841		CAP	(1)			
845	◆	PRESSURE SCREW ASSEMBLY	1	AUX301901		
826		ADJUSTING SCREW	(1)			
831		PIN	(1)			
834		NUT	(1)			
835		NUT	(1)			
837		O-RING	(1)			
842	◆	SPRING	1	AUX201222		
843		SPRING GUIDE	(1)			
846		WASHER	(1)			
930	◆	PRESSURE LIMITER 3,6 BAR	1	AUX303352		

## CC8-65 A

\* 1, 2, 4... : Quantity in equipment - (1), (2), (4)... : Quantity in kit

Item	Available	Description	Qty*	Ref.	Maintenance kit	Wear part
<b>844</b>	◆	<b>FULL SET OF SEALS + SCREWS</b>	<b>1</b>	<b>AUX301902</b>		
804		O-RING	(1)			
807		O-RING	(1)			
831		PIN	(1)			
834		NUT	(1)			
835		NUT	(1)			
837		O-RING	(1)			
<b>899</b>	◆	<b>SET OF BYPASS SEALS</b>	<b>1</b>	<b>AUX301895</b>		
807		O-RING	(1)			
831		PIN	(1)			
834		NUT	(1)			
835		NUT	(1)			
837		O-RING	(1)			

# ACCESSORIES

## CC8-40 A - CC8-50 A - CC8-65 A

\* 1, 2, 4... : Quantity in equipment - (1), (2), (4)... : Quantity in kit

Item	Available	Description	Qty*	Ref.	Maintenance kit	Wear part
		<b>HYDRAULIC MOTOR</b> External gear technology. Not reversible (one direction) to be fitted on the suction side port. Equiped with straight flanges G3/4.				
352	◆	<b>HYDRAULIC MOTOR 40CC</b>	1	AUX229966		
352	◆	<b>HYDRAULIC MOTOR 50CC</b>	1	AUX229967		
352	◆	<b>HYDRAULIC MOTOR 60CC</b>	1	AUX229968		
129A	◆	<b>SET OF 2 COMPANION FLANGES CC8 DN91, COMPLETE - STEEL</b>	1	AUX302474		
129A	◆	<b>SET OF 2 COMPANION FLANGES CC8 DN91, COMPLETE - STAINLESS STEEL</b>	1	AUX310323		
131	◆	<b>GASKET</b>	(2)	AUX223098	■	
	◆	<b>FILTER PF CC8 DN80 ALU</b> <b>(2+3+4+5+6+6A+7+8+10+11+12+13+14+15+16)</b>				
	◆	<b>STEEL GRIDS 1-4</b>	1	AUX320432		
	◆	<b>STAINLESS STEEL GRIDS 1-4</b>	1	AUX320433		
	◆	<b>STEEL GRIDS 0,5-4 (CC8-40 - CC8-50)</b>	1	AUX320430		
4 (4A+8)	◆	<b>BODY</b>	(1)	AUX320431		
8 (14+15+16)	◆	<b>ROTATING BOLTS ASSEMBLY</b>	(1)	AUX302030		
3 (5+6+7+12+13)	◆	<b>COVER ASSEMBLY (STEEL 1 MM GRID)</b>	(1)	AUX302529		
3 (5+6+7+12+13)	◆	<b>COVER ASSEMBLY (STAINLESS STEEL 1 MM GRID)</b>	(1)	AUX302530		
3 (5+6+7+12+13)	◆	<b>COVER ASSEMBLY (STEEL 0,5 MM GRID)</b>	(1)	AUX318308		
7	◆	<b>O-RING</b>	(1)	AUX200874	■	
13 (10+11)	◆	<b>FRONT COVER DRAIN PLUG + SEAL</b>	(1)	AUX302044		
6A	◆	<b>GRID 1 MM (STEEL)</b>	(1)	AUX241193		
6A	◆	<b>GRID 1 MM (STAINLESS STEEL)</b>	(1)	AUX241194		
6A	◆	<b>GRID 0,5 MM (STEEL)</b>	(1)	AUX241192		
	◆	<b>FILTER PF CC8 DN80 COATED CAST IRON</b> <b>(2+3+4+5+6+6A+7+8+10+11+12+13+14+15+16)</b>				
	◆	<b>STAINLESS STEEL GRIDS 1-4</b>	1	AUX316080		
	◆	<b>STAINLESS STEEL GRIDS 0,5-4 (CC8-40 - CC8-50)</b>	1	AUX318780		
4 (4A+8)	◆	<b>BODY</b>	(1)	AUX314545		
8 (14+15+16)	◆	<b>ROTATING BOLTS ASSEMBLY</b>	(1)	AUX307246		
3 (5+6+7+12+13)	◆	<b>COVER ASSEMBLY</b>	(1)	AUX314546		
7	◆	<b>O-RING</b>	(1)	AUX200874	■	
13 (10+11)	◆	<b>FRONT COVER DRAIN PLUG + SEAL</b>	(1)	AUX307249		
6A	◆	<b>GRID 1 MM (STAINLESS STEEL)</b>	(1)	AUX204723		
6A	◆	<b>GRID 0,5 MM (STAINLESS STEEL)</b>	(1)	AUX236144		
	◆	<b>SET OF 2 COMPANION FLANGES PF CC8, COMPLETE - STEEL</b> <b>(104+131+132+132A+134)</b>	1	AUX316163		

### Filter PF CC8 :

- (1) The cover design changed in September 2011, the gasket 7 is replaced by an O'ring.  
The cover assembly is interchangeable.  
The gasket 7 is no more supplied. In case of need, the complete cover assembly has to be replaced.
- (2) The cover design change modified the grid length which is no more interchangeable.  
In this case, the complete cover assembly has to be replaced.