



P.L. : 1008-D01

Effective  
Replaces

July 2020  
January 2019

**PARTS LIST**  
**PUMP**  
**P15 BI - P25 BI**

Keep this parts lists with Installation, Operation and Maintenance Instructions.

To order the required spare parts, indicate the desired Reference(s).

- ◆ Sets of parts or parts available to order.

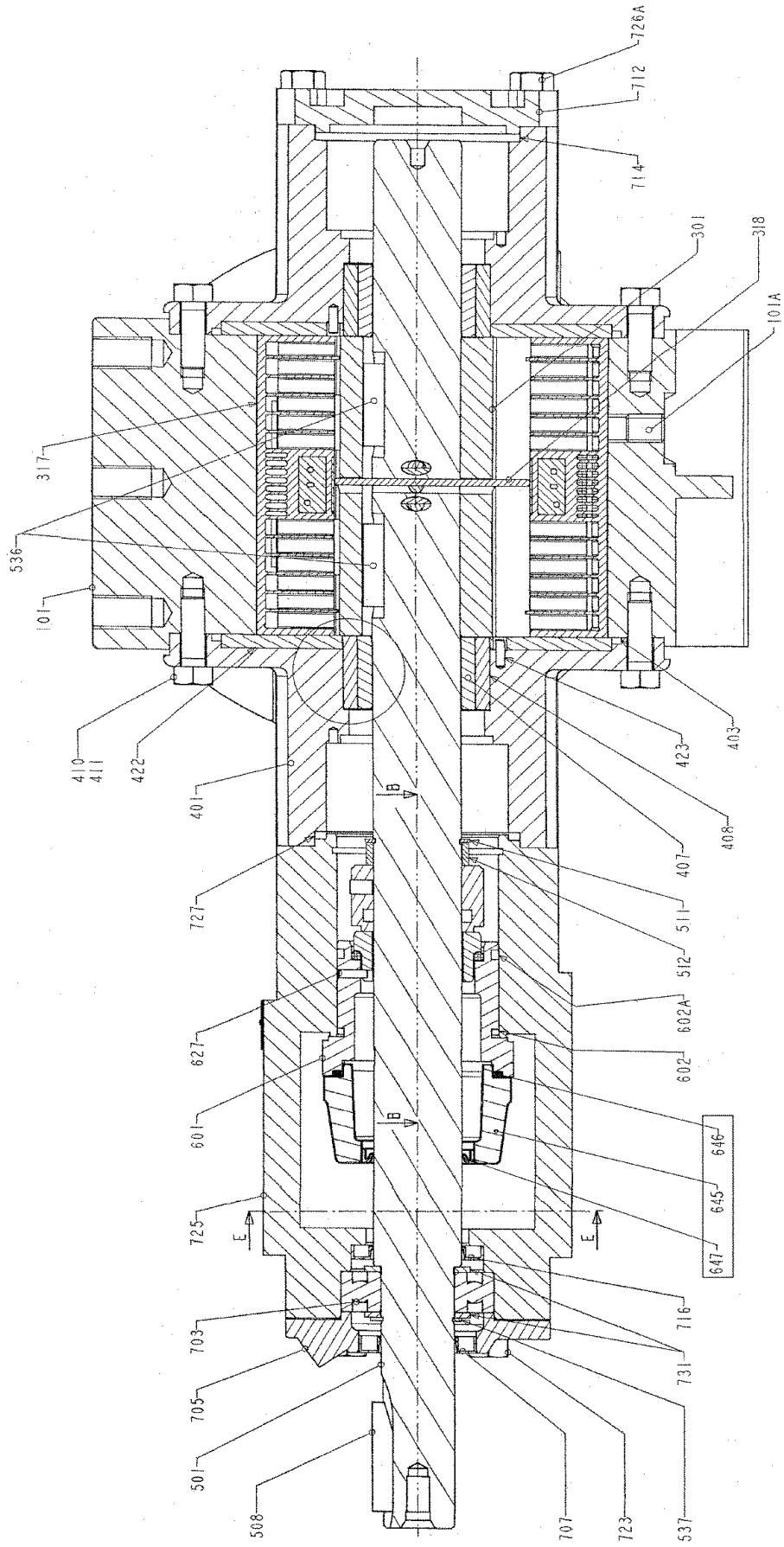
CVT : FEP encapsulated FKM

Z.I. la Plaine des Isles - 2 rue des Caillottes F-89000 AUXERRE - France

Tel : +33 (0)3 86 49 86 30 • Fax : +33 (0)3 86 49 87 17

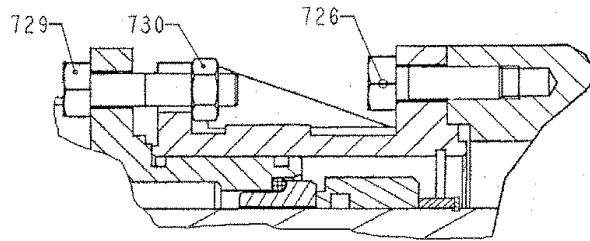
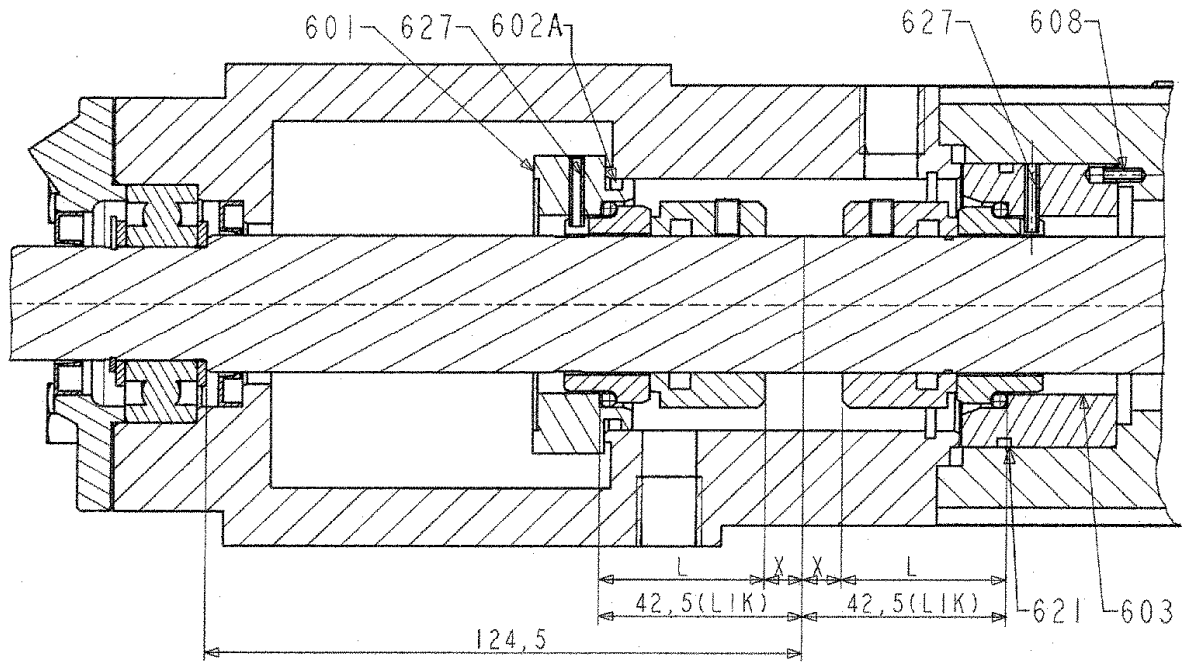
contact.mouvex@psgdover.com • www.mouvex.com

# P15 BI - P25 BI

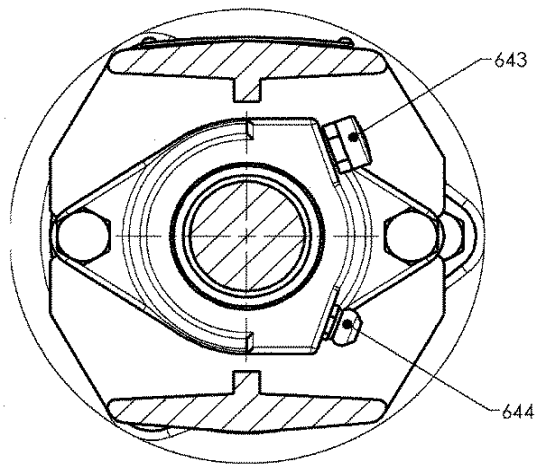


Grease container

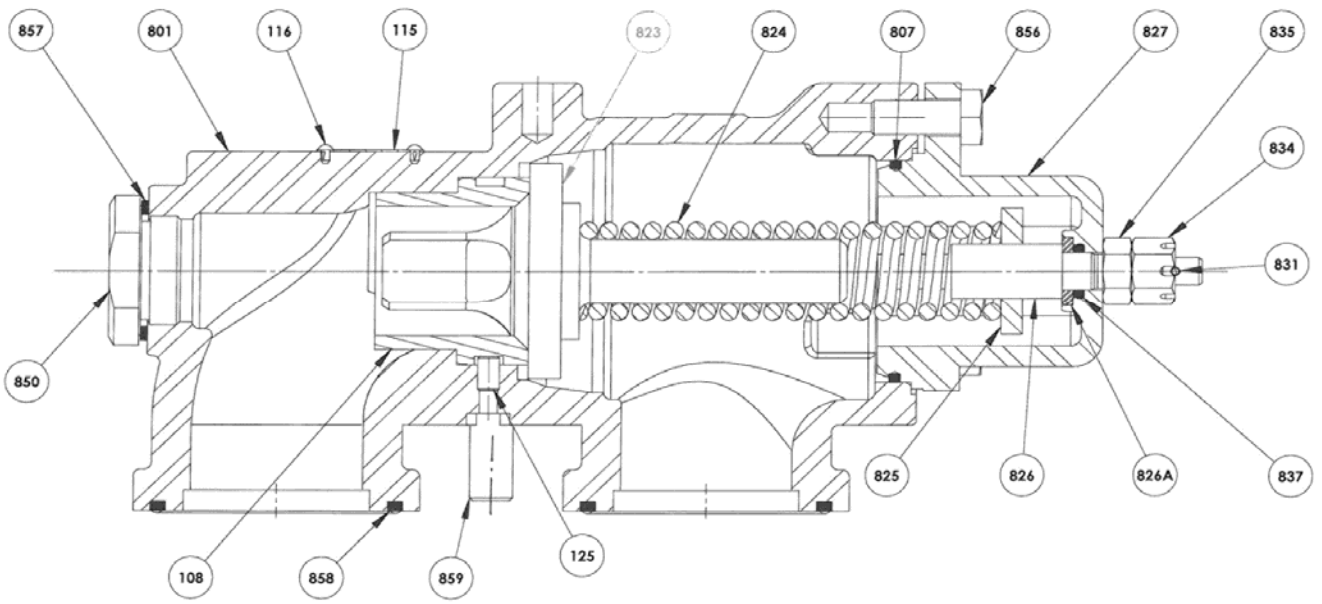
### Shaftseal holder PGDN



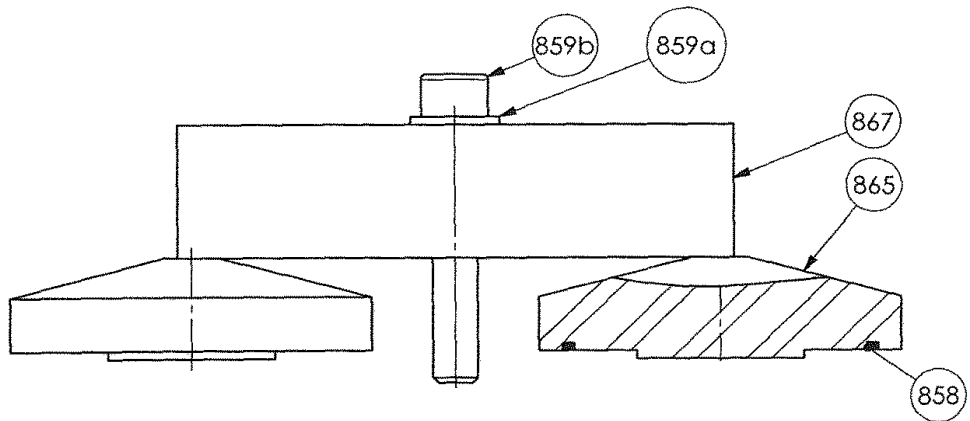
### Grease container



## Bypass



## Stirrup



# P15 BI

\* 1, 2, 4... : Quantity in equipment - (1), (2), (4)... : Quantity in kit

Item	Available	Description	Qty*	Ref.	Maintenance kit	Wear part
98	◆	FULL SET OF JACKETED PUMP SCREWS	1	AUX309286		
98	◆	FULL SET OF PUMP SCREWS	1	AUX309285		
410		SCREW	(8)			
411		SCREW	(4)			
723		SCREW	(4)			
726		SCREW	(3)			
729		SCREW	(2)			
729A		SCREW	(2)			
730		NUT	(2)			
99	◆	SET OF SEALS - JACKETED PUMP - CVT	1	AUX310071	■	
99	◆	SET OF SEALS - JACKETED PUMP - FKM	1	AUX307393	■	
403		O-RING	(2)			●
417		SEAL	(2)			
602		O-RING	(1)			●
602A		O-RING	(1)			●
621		SEAL	(1)			
707		LIP SEAL	(1)			●
714		SEAL	(1)			●
716		LIP SEAL	(1)			●
727		SEAL	(1)			●
101	◆	BODY	1	AUX215076		
301	◆	ROTOR	1	AUX214331		
309	◆	SET OF 12 VANES TVP	1	AUX307738	■	
309	◆	SET OF 12 VANES TVP WITH HOLES	1	AUX309335	■	
317		VANE	(12)			●
325	◆	SET OF 6 PUSHRODS	1	AUX308741	■	
318		PUSHROD	(6)			●
400	◆	FRONT COVER COMPLETE	2	AUX309291		
400	◆	FRONT COVER COMPLETE - ENLARGED CLEARANCE	2	AUX312401		
401		FRONT COVER	(1)			
410		SCREW	(4)			
411		SCREW	(2)			
419		BUSHING SET	(1)			
407		FRONT COVER BUSHING	(1)			●
408		FRONT COVER INSERT	(1)			
423		PIN	(1)			
400	◆	FRONT COVER COMPLETE - JACKETED PUMP	2	AUX309292		
400	◆	FRONT COVER COMPLETE - JACKETED PUMP - ENLARGED CLEARANCE	2	AUX312402		
401		FRONT COVER	(1)			
410		SCREW	(2)			
411		SCREW	(1)			
416		PLUG	(2)			
417		SEAL	(2)			
419		BUSHING SET	(1)			
407		FRONT COVER BUSHING	(1)			●
408		FRONT COVER INSERT	(1)			
423		PIN	(1)			
409	◆	SET OF FRONT COVER O-RINGS - CVT	1	AUX310359	■	
409	◆	SET OF FRONT COVER O-RINGS - FKM	1	AUX307396	■	
403		O-RING	(2)			●
420	◆	SET OF CARBON BUSHINGS - ENLARGED CLEARANCE	1	AUX314101	■	
420	◆	SET OF CARBON BUSHINGS	1	AUX314100	■	
407		FRONT COVER BUSHING	(2)			●
424	◆	SET OF CARBON DISCS	1	AUX309325		
422		FRONT COVER DISC	(2)			●

# P15 BI

\* 1, 2, 4... : Quantity in equipment - (1), (2), (4)... : Quantity in kit

Item	Available	Description	Qty*	Ref.	Maintenance kit	Wear part
500	◆	SHAFT COMPLETE FOR PUMP WITH PUSHRODS	1	AUX309296		
500	◆	SHAFT COMPLETE FOR PUMP WITHOUT PUSHRODS	1	AUX309295		
501		SHAFT	(1)			
599	◆	SET OF KEYS - PUMP WITH PUSHRODS	1	AUX309298		
599	◆	SET OF KEYS - PUMP WITHOUT PUSHRODS	1	AUX309297		
508		KEY	(1)			
536		KEY	(1/2)			
537		CIRCLIPS	(1)			
600B	◆	SHAFT SEALS STANDARDIZED IN ACCORDANCE M7N21_30 C CSSF	1	AUX311595	■	●
600B	◆	SHAFT SEALS STANDARDIZED IN ACCORDANCE M7N21_30 C CSSP	1	AUX310362	■	●
600B	◆	SHAFT SEALS STANDARDIZED IN ACCORDANCE M7N21_30 C CSCSF	1	AUX312032	■	●
600B	◆	SHAFT SEALS STANDARDIZED IN ACCORDANCE M7N21_30 C CSCSP	1	AUX310803	■	●
600C	◆	KIT 2 MECHANICAL SEAL AUX311595 M7N21_30 C 2CSSF	1	AUX315951	■	●
600C	◆	KIT 2 MECHANICAL SEAL AUX310362 M7N21_30 C 2CSSP	1	AUX315952	■	●
600C	◆	KIT 2 MECHANICAL SEAL AUX312032 M7N21_30 C 2CSCSF	1	AUX315953	■	●
600C	◆	KIT 2 MECHANICAL SEAL AUX310803 M7N21_30 C 2CSCSP	1	AUX315954	■	●
609B	◆	PGSN SHAFTSEAL HOLDER COMPLETE - CVT	1	AUX310325		
609B	◆	PGSN SHAFTSEAL HOLDER COMPLETE - FKM	1	AUX309299		
511		CIRCLIPS	(1)			
512		SPACER	(1)			
601		SHAFTSEAL HOLDER	(1)			
602		O-RING	(1)			●
602A		O-RING	(1)			●
627		PIN	(1)			
729		SCREW	(2)			
730		NUT	(2)			
609C	◆	PGDN SHAFTSEAL HOLDER COMPLETE - CVT	1	AUX310327		
609C	◆	PGDN SHAFTSEAL HOLDER COMPLETE - FKM	1	AUX309301		
601		SHAFTSEAL HOLDER	(1)			
602A		O-RING	(1)			●
603		SHAFTSEAL SEAT	(1)			
608		PIN	(1)			
621		SEAL	(1)			
627		PIN	(2)			
729		SCREW	(2)			
730		NUT	(2)			
640	◆	RESERVOIR GREASE COMPLETE	1	AUX309310		
643		SNIFTER VALVE	(1)			
644		GREASE NIPPLE	(1)			
645		COVER	(1)			
646		O-RING	(1)			●
647		LIP SEAL	(1)			●
700	◆	COMPLETE FROND COVER COVER - CVT	1	AUX310336		
700	◆	COMPLETE FROND COVER COVER - FKM	1	AUX309305		
712		FRONT COVER COVER	(1)			
714		SEAL	(1)			●
726A		SCREW	(3)			
704	◆	BALL BEARING KIT	1	AUX309309		
537		CIRCLIPS	(1)			
703		BALL BEARING	(1)			●
731		WASHER	(2)			

# P15 BI

\* 1, 2, 4... : Quantity in equipment - (1), (2), (4)... : Quantity in kit

Item	Available	Description	Qty*	Ref.	Maintenance kit	Wear part
715	◆	SET OF SEALS + DIVERSE FOR OUTBOARD BEARING - CVT	1	AUX310339	■	
715	◆	SET OF SEALS + DIVERSE FOR OUTBOARD BEARING - FKM	1	AUX309306	■	
511		CIRCLIPS	(1)			
537		CIRCLIPS	(1)			
602		O-RING	(1)			●
602A		O-RING	(1)			●
608		PIN	(1)			
621		SEAL	(1)			
627		PIN	(2)			
646		O-RING	(1)			●
647		LIP SEAL	(1)			●
707		LIP SEAL	(1)			●
716		LIP SEAL	(1)			●
727		SEAL	(1)			●
720	◆	OUTBOARD BEARING, COMPLETE - CVT - PGDN MECH SEAL	1	AUX310069	■	
720	◆	OUTBOARD BEARING, COMPLETE - FKM - PGDN MECH SEAL	1	AUX310066	■	
720	◆	OUTBOARD BEARING, COMPLETE - CVT - EXCEPT PGDN MECH SEALS	1	AUX310065	■	
720	◆	OUTBOARD BEARING, COMPLETE - FKM - EXCEPT PGDN MECH SEALS	1	AUX309307	■	
703		BALL BEARING	(1)			●
716		LIP SEAL	(1)			●
725		OUTBOARD BEARING	(1)			
726		SCREW	(3)			
727		SEAL	(1)			●
731		WASHER	(2)			
740	◆	COVER COMPLETE	1	AUX309311		
705		COVER	(1)			
707		LIP SEAL	(1)			●
723		SCREW	(4)			
868	◆	COMPLETE STIRRUP - CVT	1	AUX310351		
868	◆	COMPLETE STIRRUP - FKM	1	AUX309315		
858	◆	O-RING FKM	2	AUX200795		●
858	◆	SEAL FEP-FKM	2	AUX215301		●
859A		WASHER	(1)			
859B		SCREW	(1)			
865		PLUG	(2)			
867		STIRRUP	(1)			

# P15 BI

\* 1, 2, 4... : Quantity in equipment - (1), (2), (4)... : Quantity in kit

Item	Available	Description	Qty*	Ref.	Maintenance kit	Wear part
<b>Single bypass</b>						
<b>(without Spring 824 and without Complete plug 866) :</b>						
820	◆	SINGLE BYPASS, COMPLETE (WITHOUT SPRING) - CVT	1	AUX310342		
820	◆	SINGLE BYPASS, COMPLETE (WITHOUT SPRING) - FKM	1	AUX309312		
108		VALVE SEAT	(1)			
115		BYPASS ORIENTATION PLATE	(1)			
116		PIN	(2)			
125		SCREW	(1)			
801		BYPASS BODY	(1)			
823	◆	VALVE	1	AUX219066		
826A		WASHER	(1)			
827		BYPASS CAP	(1)			
858	◆	O-RING FKM	2	AUX200795		●
858	◆	SEAL FEP-FKM	2	AUX215301		●
859		SCREW	(2)			
898	◆	PRESSURE SCREW ASSEMBLY - CVT	1	AUX310348		
898	◆	PRESSURE SCREW ASSEMBLY - FKM	1	AUX309314		
807		SEAL	(1)			●
825		SPRING BASE	(1)			
826		ADJUSTING SCREW	(1)			
831		PIN	(1)			
834		NUT	(1)			
835		NUT	(1)			
837		SEAL	(1)			●
856		SCREW	(3)			
824	◆	2_4 BAR SPRING	1	AUX214367		
824	◆	4_7 BAR SPRING	1	AUX215298		
824	◆	7_12 BAR SPRING	1	AUX215299		
866	◆	COMPLETE PLUG	1	AUX309316	■	
850		SEAL	(1)			●
857		PLUG	(1)			
899	◆	SET OF SEALS + DIVERSE FOR BYPASS - CVT	1	AUX310357	■	
899	◆	SET OF SEALS + DIVERSE FOR BYPASS - FKM	1	AUX309318	■	
807		SEAL	(1)			●
831		PIN	(1)			
834		NUT	(1)			
835		NUT	(1)			
837		SEAL	(1)			●
850		SEAL	(1)			●
856		SCREW	(3)			
858	◆	O-RING FKM	2	AUX200795		●
858	◆	SEAL FEP-FKM	2	AUX215301		●
859		SCREW	(2)			



# P25 BI

\* 1, 2, 4... : Quantity in equipment - (1), (2), (4)... : Quantity in kit

Item	Available	Description	Qty*	Ref.	Maintenance kit	Wear part
98	◆	FULL SET OF JACKETED PUMP SCREWS	1	AUX309286		
98	◆	FULL SET OF PUMP SCREWS	1	AUX309285		
410		SCREW	(8)			
411		SCREW	(4)			
723		SCREW	(4)			
726		SCREW	(3)			
729		SCREW	(2)			
729A		SCREW	(2)			
730		NUT	(2)			
99	◆	SET OF SEALS - JACKETED PUMP - CVT	1	AUX310071	■	
99	◆	SET OF SEALS - JACKETED PUMP - FKM	1	AUX307393	■	
403		O-RING	(2)			●
417		SEAL	(2)			
602		O-RING	(1)			●
602A		O-RING	(1)			●
621		SEAL	(1)			
707		LIP SEAL	(1)			●
714		SEAL	(1)			●
716		LIP SEAL	(1)			●
727		SEAL	(1)			●
101	◆	BODY	1	AUX214330		
301	◆	ROTOR	1	AUX214331		
309	◆	SET OF 12 VANES TVP	1	AUX307738	■	
309	◆	SET OF 12 VANES TVP WITH HOLES	1	AUX307739	■	
317		VANE	(12)			●
325	◆	SET OF 6 PUSHRODS	1	AUX307379	■	
318		PUSHROD	(6)			●
400	◆	FRONT COVER COMPLETE	2	AUX309291		
400	◆	FRONT COVER COMPLETE - ENLARGED CLEARANCE	2	AUX312401		
401		FRONT COVER	(1)			
410		SCREW	(4)			
411		SCREW	(2)			
419		BUSHING SET	(1)			
407		FRONT COVER BUSHING	(1)			●
408		FRONT COVER INSERT	(1)			
423		PIN	(1)			
400	◆	FRONT COVER COMPLETE - JACKETED PUMP	2	AUX309292		
400	◆	FRONT COVER COMPLETE - JACKETED PUMP - ENLARGED CLEARANCE	2	AUX312402		
401		FRONT COVER	(1)			
410		SCREW	(2)			
411		SCREW	(1)			
416		PLUG	(2)			
417		SEAL	(2)			
419		BUSHING SET	(1)			
407		FRONT COVER BUSHING	(1)			●
408		FRONT COVER INSERT	(1)			
423		PIN	(1)			
409	◆	SET OF FRONT COVER O-RINGS - CVT	1	AUX310359	■	
409	◆	SET OF FRONT COVER O-RINGS - FKM	1	AUX307396	■	
403		O-RING	(2)			●
420	◆	SET OF CARBON BUSHINGS - ENLARGED CLEARANCE	1	AUX314101	■	
420	◆	SET OF CARBON BUSHINGS	1	AUX314100	■	
407		FRONT COVER BUSHING	(2)			●
424	◆	SET OF CARBON DISCS	1	AUX309325		
422		FRONT COVER DISC	(2)			●

## P25 BI

\* 1, 2, 4... : Quantity in equipment - (1), (2), (4)... : Quantity in kit

Item	Available	Description	Qty*	Ref.	Maintenance kit	Wear part
500	◆	SHAFT COMPLETE FOR PUMP WITH PUSHRODS	1	AUX309296		
500	◆	SHAFT COMPLETE FOR PUMP WITHOUT PUSHRODS	1	AUX309295		
501		SHAFT	(1)			
599	◆	SET OF KEYS - PUMP WITH PUSHRODS	1	AUX309298		
599	◆	SET OF KEYS - PUMP WITHOUT PUSHRODS	1	AUX309297		
508		KEY	(1)			
536		KEY	(1/2)			
537		CIRCLIPS	(1)			
600B	◆	SHAFT SEALS STANDARDIZED IN ACCORDANCE M7N21_30 C CSSF	1	AUX311595	■	●
600B	◆	SHAFT SEALS STANDARDIZED IN ACCORDANCE M7N21_30 C CSSP	1	AUX310362	■	●
600B	◆	SHAFT SEALS STANDARDIZED IN ACCORDANCE M7N21_30 C CSCSF	1	AUX312032	■	●
600B	◆	SHAFT SEALS STANDARDIZED IN ACCORDANCE M7N21_30 C CSCSP	1	AUX310803	■	●
600C	◆	KIT 2 MECHANICAL SEAL AUX311595 M7N21_30 C 2CSSF	1	AUX315951	■	●
600C	◆	KIT 2 MECHANICAL SEAL AUX310362 M7N21_30 C 2CSSP	1	AUX315952	■	●
600C	◆	KIT 2 MECHANICAL SEAL AUX312032 M7N21_30 C 2CSCSF	1	AUX315953	■	●
600C	◆	KIT 2 MECHANICAL SEAL AUX310803 M7N21_30 C 2CSCSP	1	AUX315954	■	●
609B	◆	PGSN SHAFTSEAL HOLDER COMPLETE - CVT	1	AUX310325		
609B	◆	PGSN SHAFTSEAL HOLDER COMPLETE - FKM	1	AUX309299		
511		CIRCLIPS	(1)			
512		SPACER	(1)			
601		SHAFTSEAL HOLDER	(1)			
602		O-RING	(1)			●
602A		O-RING	(1)			●
627		PIN	(1)			
729		SCREW	(2)			
730		NUT	(2)			
609C	◆	PGDN SHAFTSEAL HOLDER COMPLETE - CVT	1	AUX310327		
609C	◆	PGDN SHAFTSEAL HOLDER COMPLETE - FKM	1	AUX309301		
601		SHAFTSEAL HOLDER	(1)			
602A		O-RING	(1)			●
603		SHAFTSEAL SEAT	(1)			
608		PIN	(1)			
621		SEAL	(1)			
627		PIN	(2)			
729		SCREW	(2)			
730		NUT	(2)			
640	◆	RESERVOIR GREASE COMPLETE	1	AUX309310		
643		SNIFTER VALVE	(1)			
644		GREASE NIPPLE	(1)			
645		COVER	(1)			
646		O-RING	(1)			●
647		LIP SEAL	(1)			●
700	◆	COMPLETE FROND COVER COVER - CVT	1	AUX310336		
700	◆	COMPLETE FROND COVER COVER - FKM	1	AUX309305		
712		FRONT COVER COVER	(1)			
714		SEAL	(1)			●
726A		SCREW	(3)			
704	◆	BALL BEARING KIT	1	AUX309309		
537		CIRCLIPS	(1)			
703		BALL BEARING	(1)			●
731		WASHER	(2)			

## P25 BI

\* 1, 2, 4... : Quantity in equipment - (1), (2), (4)... : Quantity in kit

Item	Available	Description	Qty*	Ref.	Maintenance kit	Wear part
715	◆	SET OF SEALS + DIVERSE FOR OUTBOARD BEARING - CVT	1	AUX310339	■	
715	◆	SET OF SEALS + DIVERSE FOR OUTBOARD BEARING - FKM	1	AUX309306	■	
511		CIRCLIPS	(1)			
537		CIRCLIPS	(1)			
602		O-RING	(1)			●
602A		O-RING	(1)			●
608		PIN	(1)			
621		SEAL	(1)			
627		PIN	(2)			
646		O-RING	(1)			●
647		LIP SEAL	(1)			●
707		LIP SEAL	(1)			●
716		LIP SEAL	(1)			●
727		SEAL	(1)			●
720	◆	OUTBOARD BEARING, COMPLETE - CVT - PGDN MECH SEAL	1	AUX310069	■	
720	◆	OUTBOARD BEARING, COMPLETE - FKM - PGDN MECH SEAL	1	AUX310066	■	
720	◆	OUTBOARD BEARING, COMPLETE - CVT - EXCEPT PGDN MECH SEALS	1	AUX310065	■	
720	◆	OUTBOARD BEARING, COMPLETE - FKM - EXCEPT PGDN MECH SEALS	1	AUX309307	■	
703		BALL BEARING	(1)			●
716		LIP SEAL	(1)			●
725		OUTBOARD BEARING	(1)			
726		SCREW	(3)			
727		SEAL	(1)			●
731		WASHER	(2)			
740	◆	COVER COMPLETE	1	AUX309311		
705		COVER	(1)			
707		LIP SEAL	(1)			●
723		SCREW	(4)			
868	◆	COMPLETE STIRRUP - CVT	1	AUX310351		
868	◆	COMPLETE STIRRUP - FKM	1	AUX309315		
858	◆	O-RING FKM	2	AUX200795		●
858	◆	SEAL FEP-FKM	2	AUX215301		●
859A		WASHER	(1)			
859B		SCREW	(1)			
865		PLUG	(2)			
867		STIRRUP	(1)			

# P25 BI

\* 1, 2, 4... : Quantity in equipment - (1), (2), (4)... : Quantity in kit

Item	Available	Description	Qty*	Ref.	Maintenance kit	Wear part
<b>Single bypass</b>						
<b>(without Spring 824 and without Complete plug 866) :</b>						
820	◆	SINGLE BYPASS, COMPLETE (WITHOUT SPRING) - CVT	1	AUX310342		
820	◆	SINGLE BYPASS, COMPLETE (WITHOUT SPRING) - FKM	1	AUX309312		
108		VALVE SEAT	(1)			
115		BYPASS ORIENTATION PLATE	(1)			
116		PIN	(2)			
125		SCREW	(1)			
801		BYPASS BODY	(1)			
823	◆	VALVE	1	AUX219066		
826A		WASHER	(1)			
827		BYPASS CAP	(1)			
858	◆	O-RING FKM	2	AUX200795		●
858	◆	SEAL FEP-FKM	2	AUX215301		●
859		SCREW	(2)			
898	◆	PRESSURE SCREW ASSEMBLY - CVT	1	AUX310348		
898	◆	PRESSURE SCREW ASSEMBLY - FKM	1	AUX309314		
807		SEAL	(1)			●
825		SPRING BASE	(1)			
826		ADJUSTING SCREW	(1)			
831		PIN	(1)			
834		NUT	(1)			
835		NUT	(1)			
837		SEAL	(1)			●
856		SCREW	(3)			
824	◆	2_4 BAR SPRING	1	AUX214367		
824	◆	4_7 BAR SPRING	1	AUX215298		
824	◆	7_12 BAR SPRING	1	AUX215299		
866	◆	COMPLETE PLUG	1	AUX309316	■	
850		SEAL	(1)			●
857		PLUG	(1)			
899	◆	SET OF SEALS + DIVERSE FOR BYPASS - CVT	1	AUX310357	■	
899	◆	SET OF SEALS + DIVERSE FOR BYPASS - FKM	1	AUX309318	■	
807		SEAL	(1)			●
831		PIN	(1)			
834		NUT	(1)			
835		NUT	(1)			
837		SEAL	(1)			●
850		SEAL	(1)			●
856		SCREW	(3)			
858	◆	O-RING FKM	2	AUX200795		●
858	◆	SEAL FEP-FKM	2	AUX215301		●
859		SCREW	(2)			