



P.L. : 1008-C03

Effective
Replaces

March 2023
July 2020

PARTS LIST
PUMP
P100 BA

Keep this parts lists with Installation, Operation and Maintenance Instructions.

To order the required spare parts, indicate the desired Reference(s).

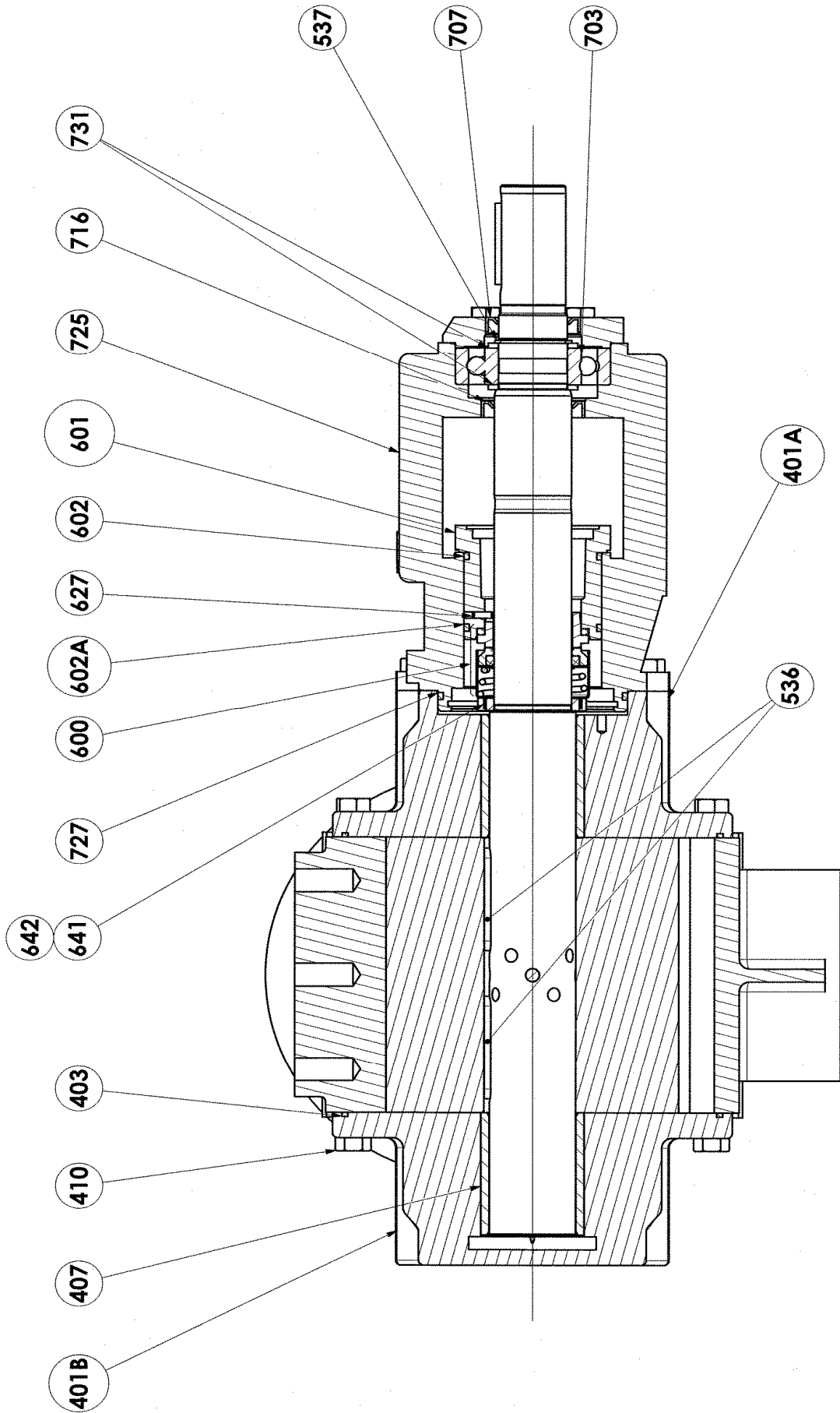
- ◆ Sets of parts or parts available to order.

CVT : FEP encapsulated FKM

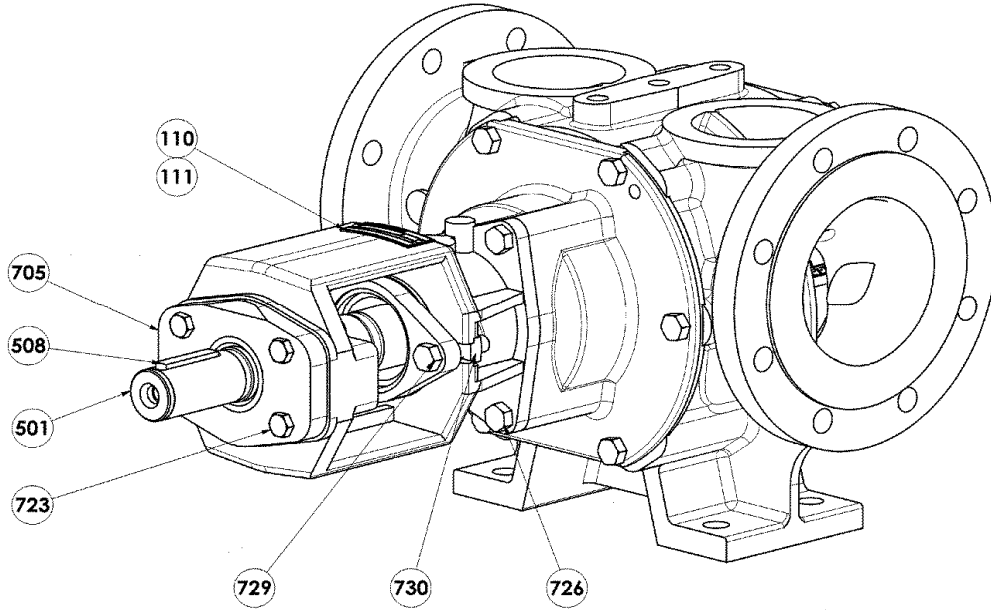
Z.I. la Plaine des Isles - 2 rue des Caillottes F-89000 AUXERRE - France

Tel : +33 (0)3 86 49 86 30 • Fax : +33 (0)3 86 49 87 17
contact.mouvex@psgdover.com • www.mouvex.com

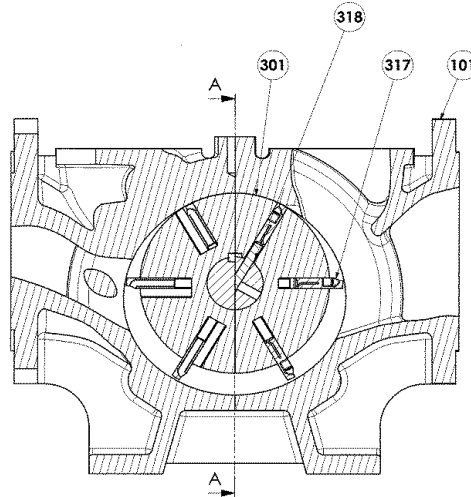
Standard pump with BLOCDIR mechanical seal



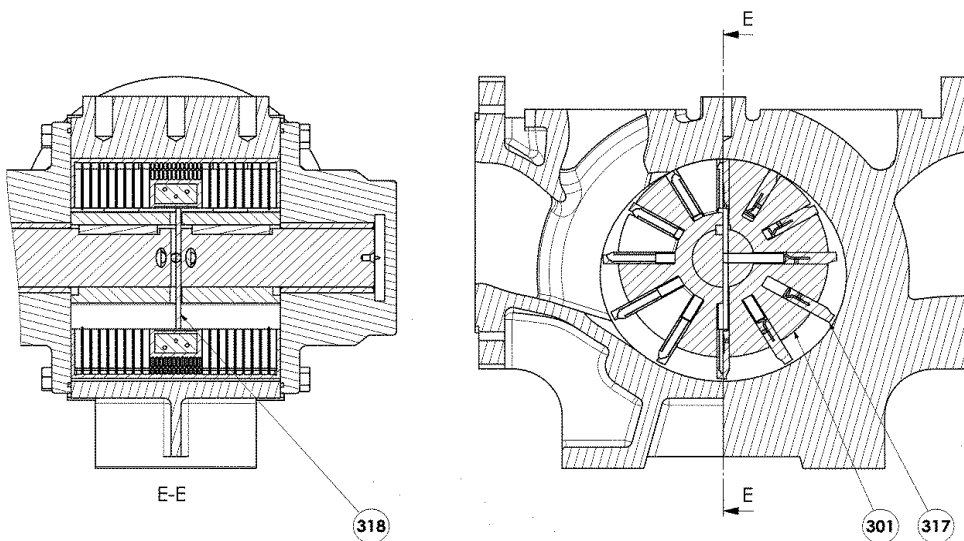
Standard pump



6 vanes rotor

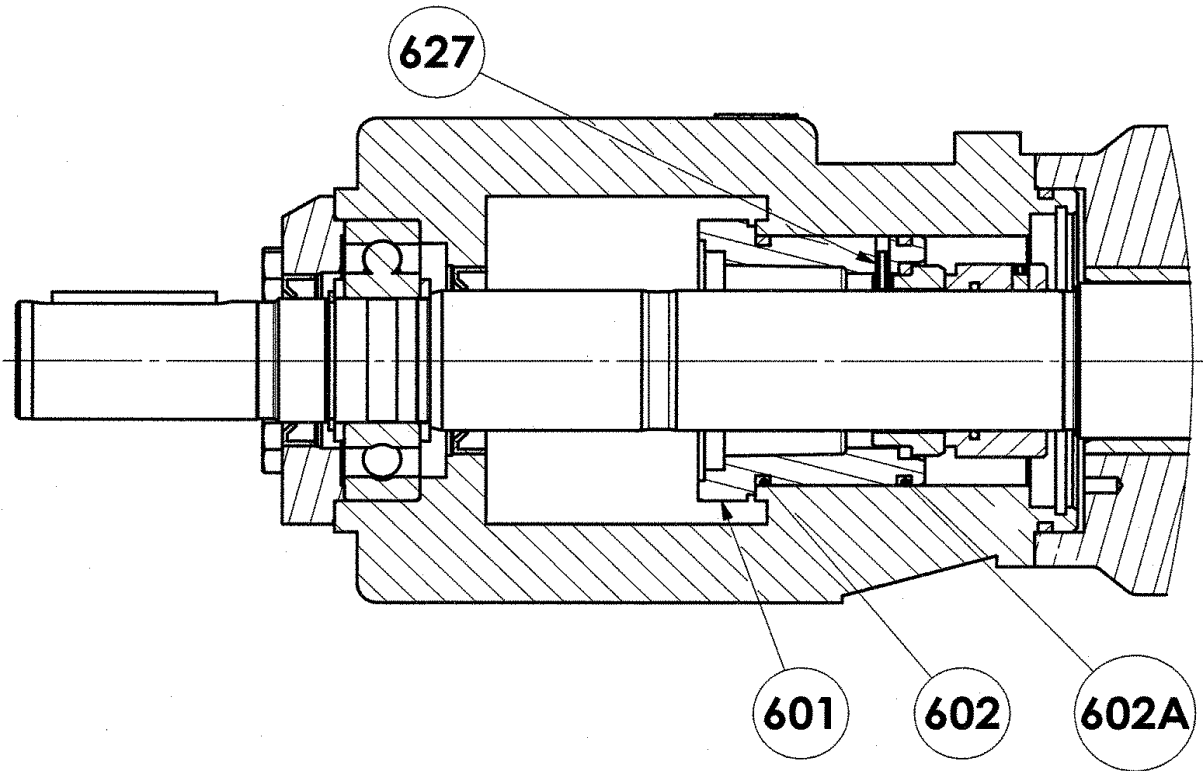


12 vanes rotor

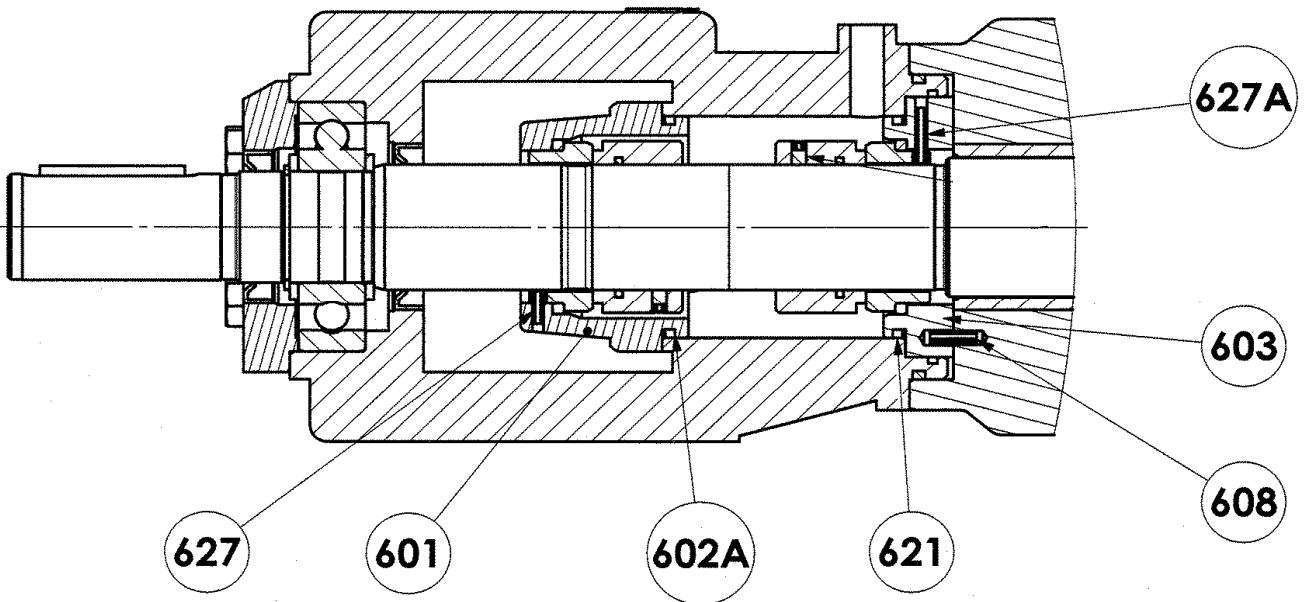


Standard pump

Shaftseal holder - PGSN

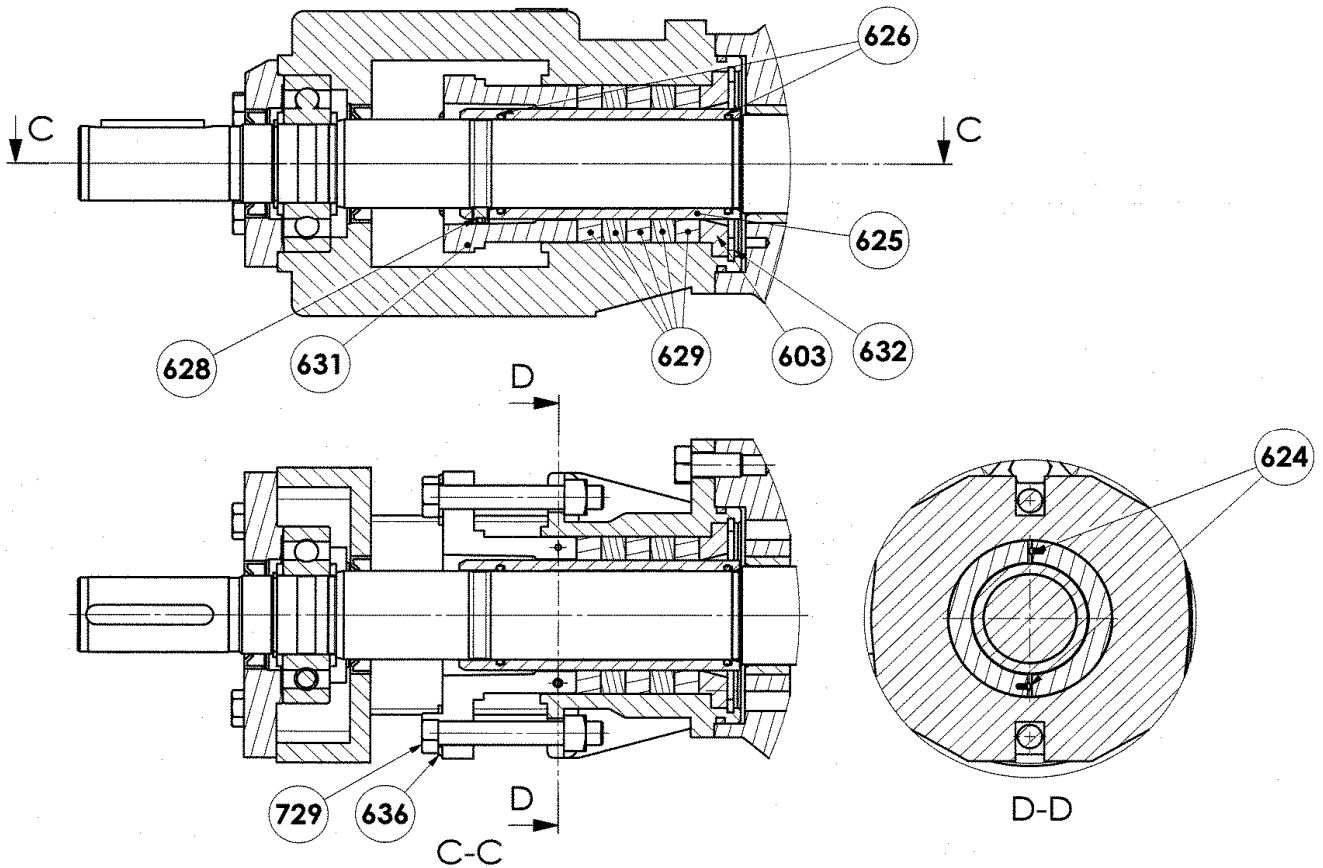


Shaftseal holder - PGDN

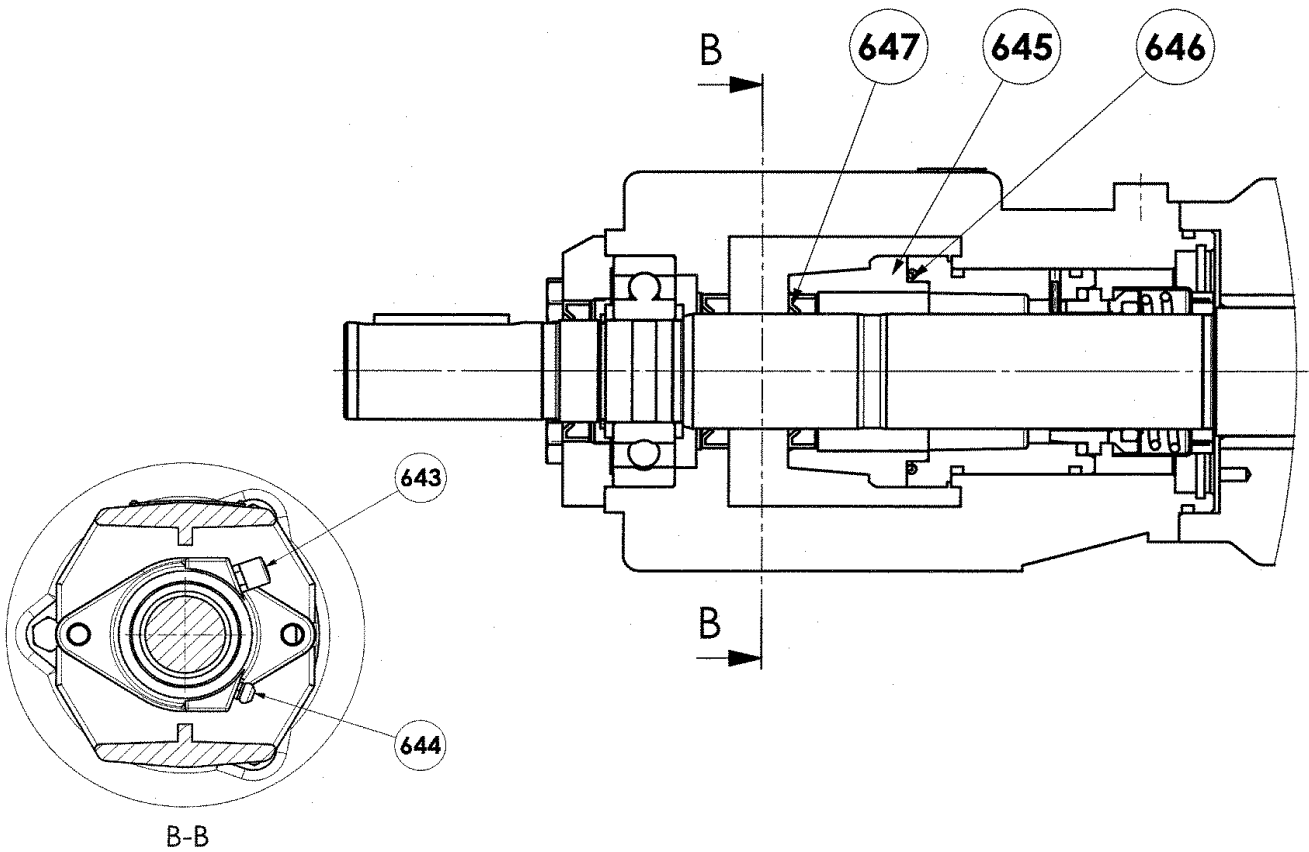


Standard pump

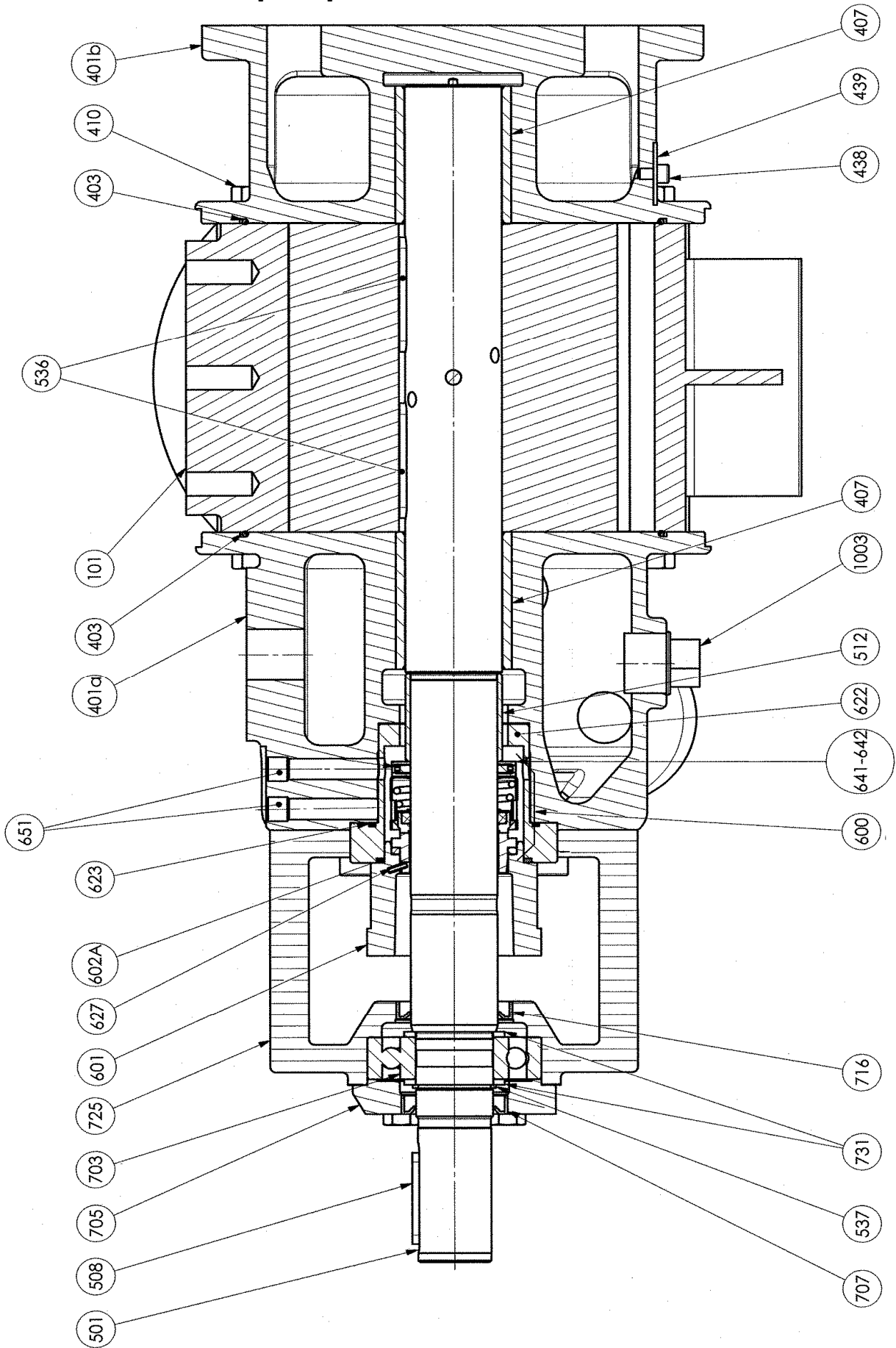
Set PTFE gland packing



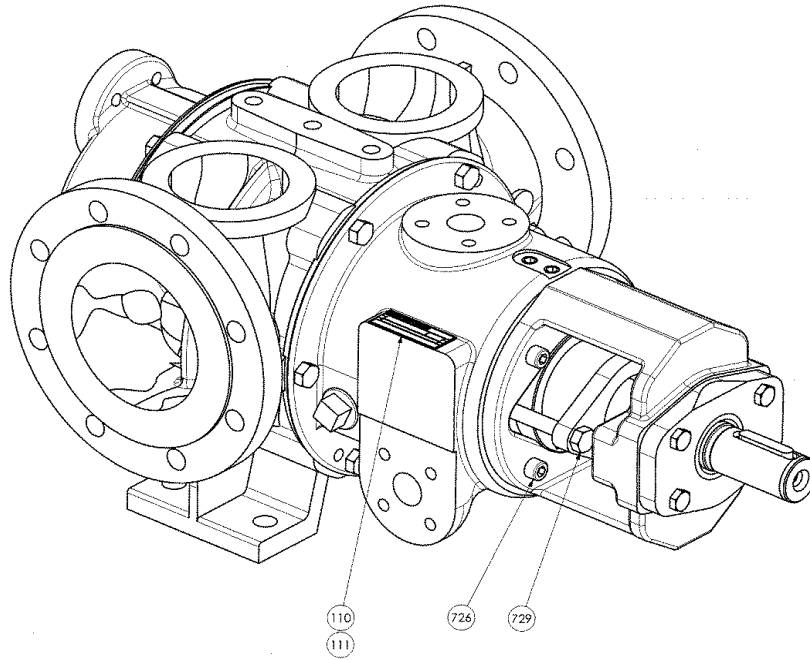
Grease container



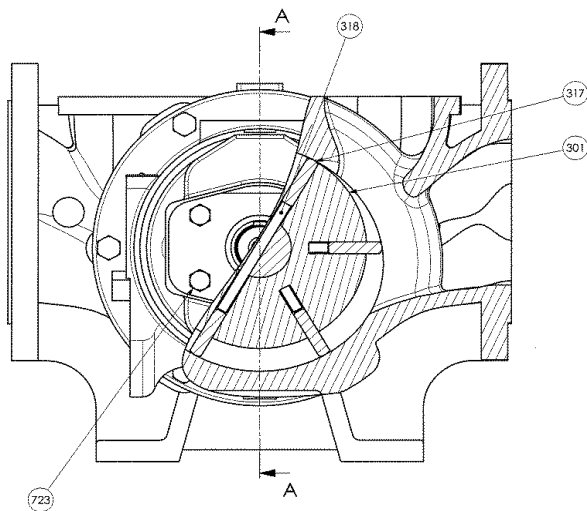
Jacketed pump with BLOCDIR mechanical seal



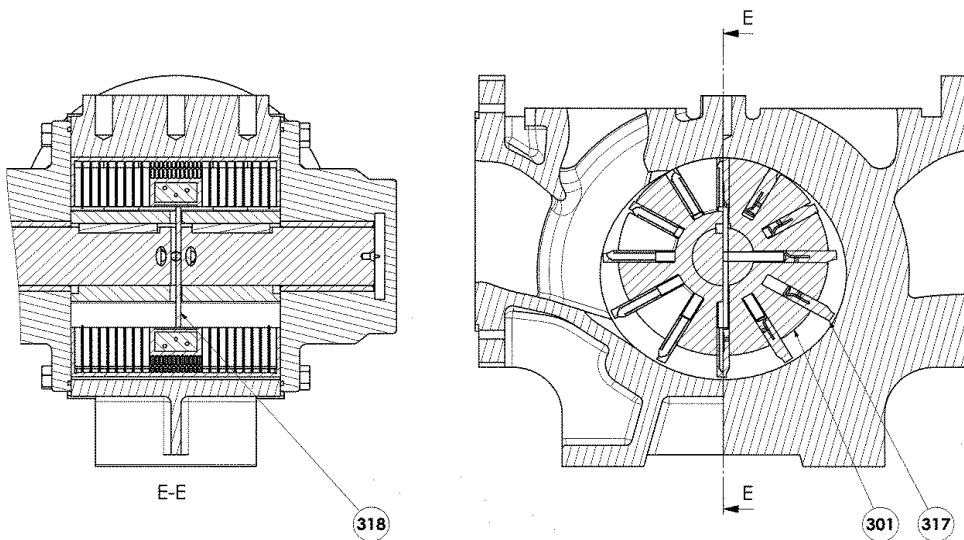
Jacketed pump



6 vanes rotor

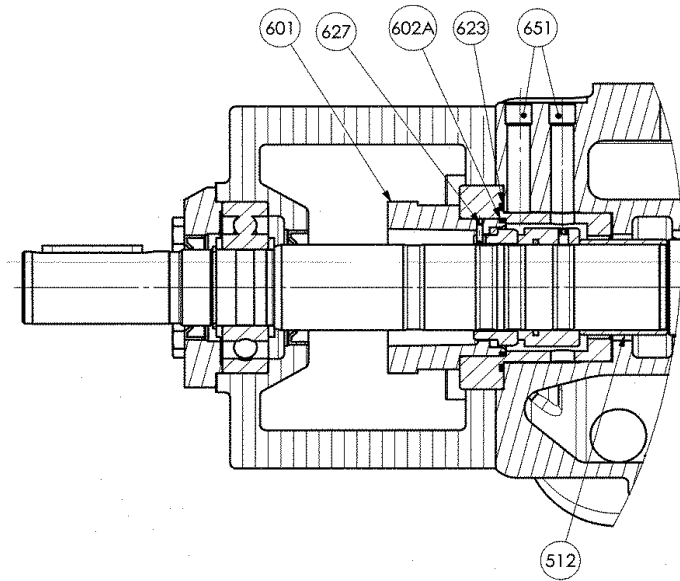


12 vanes rotor

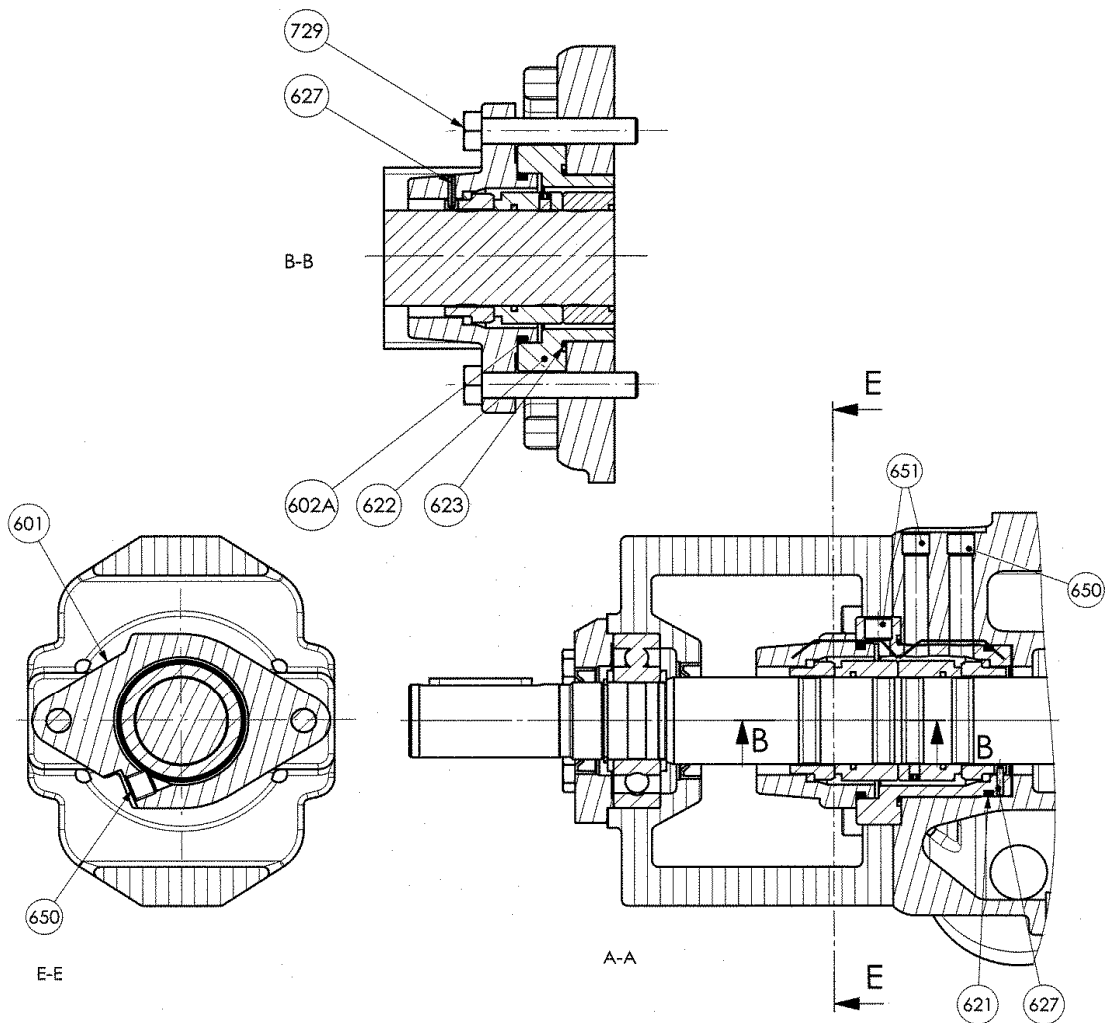


Jacketed pump

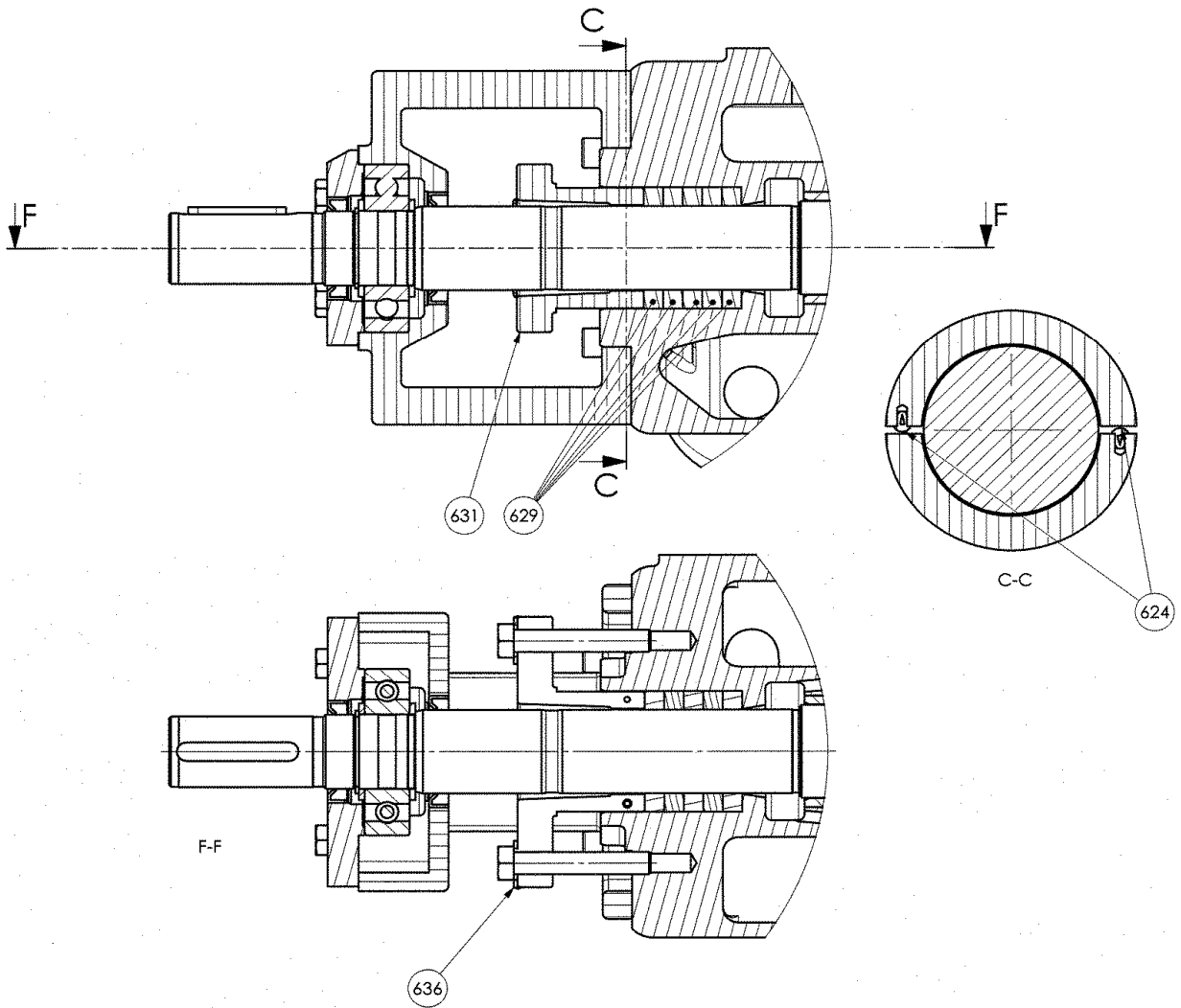
Shaftseal holder - PGSN



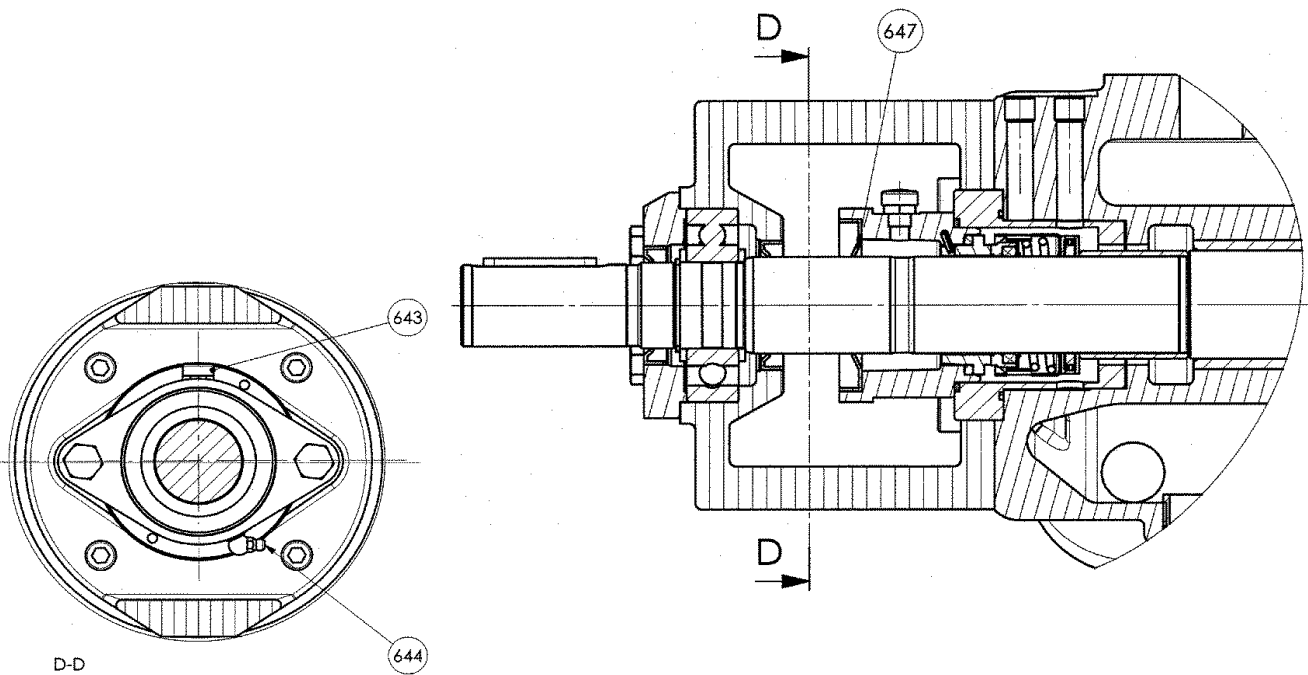
Shaftseal holder - PGDN



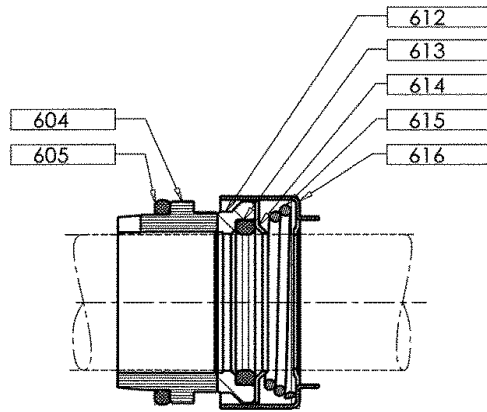
Jacketed pump Set PTFE gland packing



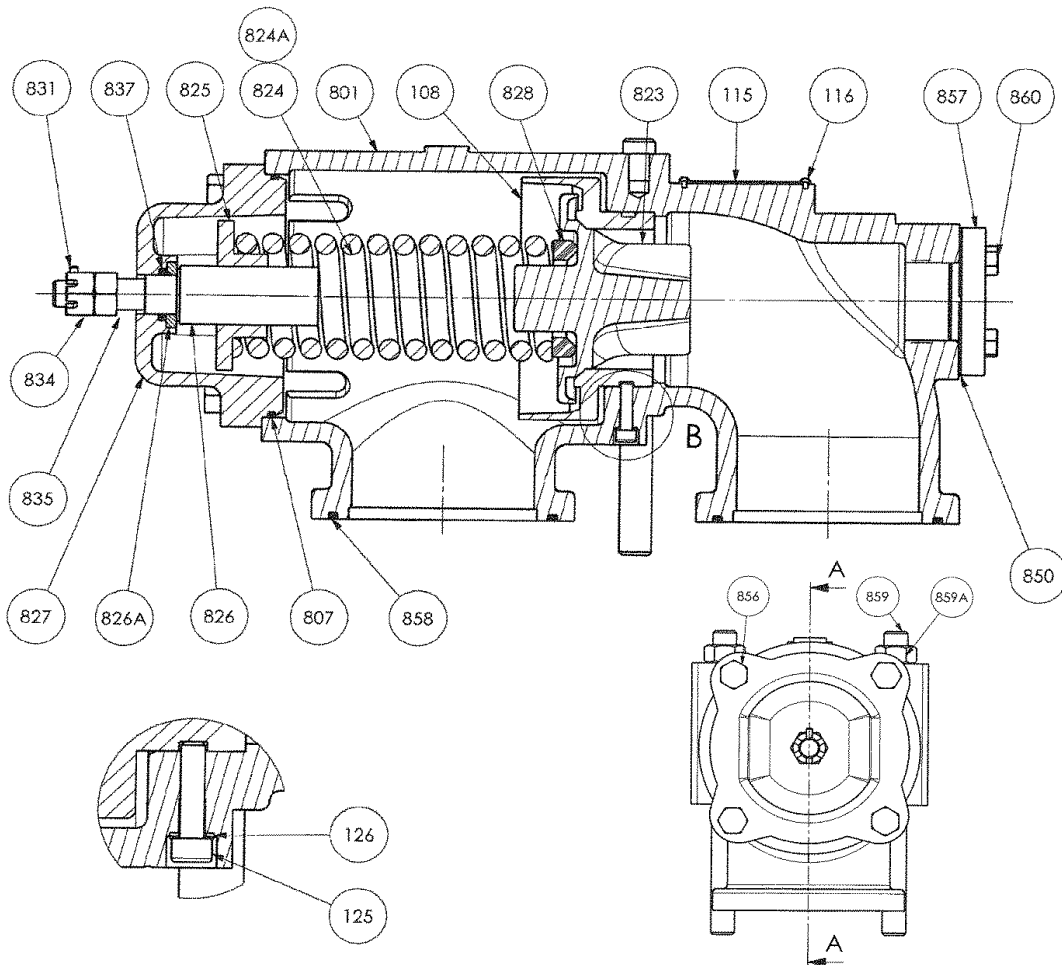
Grease container



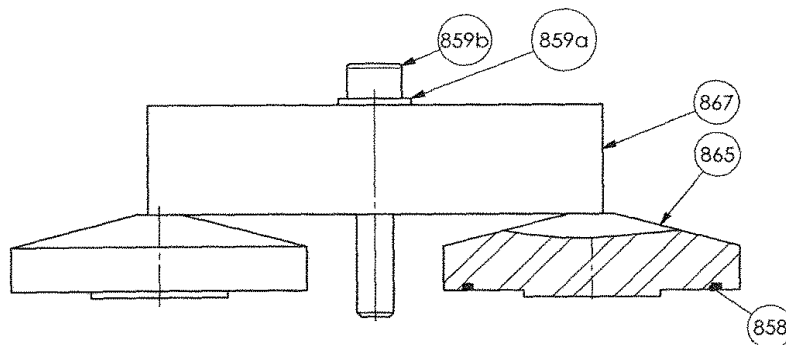
BLOCDIR mechanical seal



Bypass



Stirrup



P100 BA

* 1, 2, 4... : Quantity in equipment - (1), (2), (4)... : Quantity in kit

Item	Available	Description	Qty*	Ref.	Maintenance kit	Wear part
98	◆	FULL SET OF PUMP SCREWS	1	AUX314122		
410		SCREW	(12)			
642		SCREW	(2)			
723		SCREW	(4)			
726		SCREW	(6)			
729		SCREW	(2)			
730		NUT	(2)			
98	◆	FULL SET OF JACKETED PUMP SCREWS	1	AUX312961		
410		SCREW	(12)			
723		SCREW	(4)			
726		SCREW	(4)			
729		SCREW	(2)			
98	◆	FULL SET OF OUTBOARD BEARING SCREWS	1	AUX312899		
410		SCREW	(12)			
636		STIRRUP SHAFTSEAL HOLDER	(2)			
723		SCREW	(4)			
726		SCREW	(4)			
729		SCREW	(2)			
99	◆	SET OF SEALS - STANDARD PUMP - CVT	1	AUX314120	■	
99	◆	SET OF SEALS - STANDARD PUMP - FKM	1	AUX314118	■	
99	◆	SET OF SEALS - STANDARD PUMP - FKM HT	1	AUX314119	■	
403		O-RING	(2)			●
602		SEAL	(1)			●
602A		SEAL	(1)			●
621		SEAL (CVT)	(1)			
707		LIP SEAL	(1)			●
716		LIP SEAL	(1)			●
727		SEAL	(1)			●
99	◆	SET OF SEALS - JACKETED PUMP - CVT	1	AUX314332	■	
99	◆	SET OF SEALS - JACKETED PUMP - FKM	1	AUX314331	■	
99	◆	SET OF SEALS - JACKETED PUMP - FKM HT	1	AUX312898	■	
403		O-RING	(2)			●
537		RING	(1)			
707		LIP SEAL	(1)			●
716		LIP SEAL	(1)			●
101	◆	BODY NO CHROMIUM PLATING	1	AUX212055		
301	◆	6 VANES ROTOR	1	AUX220316		
301	◆	12 VANES ROTOR	1	AUX212056		
309	◆	SET OF 6 VANES TVP	1	AUX313378	■	
309	◆	SET OF 6 VANES TVP WITH HOLES	1	AUX313379	■	
309	◆	SET OF 12 VANES TVP	1	AUX307819	■	
309	◆	SET OF 12 VANES TVP WITH HOLES	1	AUX307820	■	
317		VANE	(6/12)			●
325	◆	SET OF 3 PUSHRODS	1	AUX312892	■	
325	◆	SET OF 6 PUSHRODS	1	AUX307607	■	
318		PUSHROD	(3/6)			●
400	◆	FRONT COVER COMPLETE - STANDARD VERSION	1	AUX314309		
400	◆	FRONT COVER COMPLETE - STANDARD VERSION - ENLARGED CLEARANCE	1	AUX314302		
400	◆	FRONT COVER COMPLETE - HT VERSION	1	AUX307611		
400	◆	FRONT COVER COMPLETE - HT VERSION - ENLARGED CLEARANCE	1	AUX312430		
401A		FRONT COVER	(1)			
401B		FRONT COVER	(1)			
407		FRONT COVER BUSHING	(2)			●
410		SCREW	(12)			

P100 BA

* 1, 2, 4... : Quantity in equipment - (1), (2), (4)... : Quantity in kit

Item	Available	Description	Qty*	Ref.	Maintenance kit	Wear part
400E	◆	FRONT COVER FOR JACKETED PUMP WITH : -MECHANICAL SEAL PGDN	1	AUX314318		
400E	◆	-MECHANICAL SEAL PGDN-HT	1	AUX314315		
400E	◆	-MECHANICAL SEAL PGDN-ENLARGED CLEARANCE	1	AUX314312		
400E	◆	-MECHANICAL SEAL PGDN-HT-ENLARGED CLEARANCE	1	AUX312895		
400E	◆	-MECHANICAL SEAL (EXCEPT PGDN)	1	AUX314317		
400E	◆	-MECHANICAL SEAL (EXCEPT PGDN)-HT	1	AUX314314		
400E	◆	-MECHANICAL SEAL (EXCEPT PGDN)-ENLARGED CLEARANCE	1	AUX314311		
400E	◆	-MECHANICAL SEAL (EXCEPT PGDN)-HT-ENLARGED CLEARANCE	1	AUX312894		
400E	◆	-PACKING	1	AUX314316		
400E	◆	-PACKING-HT	1	AUX314313		
400E	◆	-PACKING-ENLARGED CLEARANCE	1	AUX314310		
400E	◆	-PACKING-HT-ENLARGED CLEARANCE	1	AUX312893		
401A		FRONT COVER	(1)			
401B		FRONT COVER	(1)			
407		FRONT COVER BUSHING	(2)			●
410		SCREW	(12)			
438		SCREW	(1)			
439		SEAL	(1)			
1003		PLUG (FOR HEATING JACKET)	(3)			
409	◆	SET OF FRONT COVER O-RINGS - CVT	1	AUX313797	■	
409	◆	SET OF FRONT COVER O-RINGS - FKM HT	1	AUX305581	■	
409	◆	SET OF FRONT COVER O-RINGS - FKM	1	AUX304442	■	
403		O-RING	(2)			●
420	◆	SET OF CARBON BUSHINGS - STANDARD VERSION	1	AUX314121	■	
420	◆	SET OF CARBON BUSHINGS - HT VERSION	1	AUX314531	■	
420	◆	SET OF CARBON BUSHINGS - HT VERSION - ENLARGED CLEARANCE	1	AUX314530	■	
420	◆	SET OF CARBON BUSHINGS - STANDARD VERSION - ENLARGED CLEARANCE	1	AUX312900	■	
407		FRONT COVER BUSHING	(2)			●
500	◆	SHAFT COMPLETE P100 BA	1	AUX319638		
501		SHAFT	(1)			
599	◆	SET OF KEYS - PUMP WITH PUSHRODS	1	AUX307623		
508		KEY	(1)			
536		KEY	(2)			
537		RING	(1)			
600	◆	MECHANICAL SEAL - BLOCDIR LRB VT	1	AUX301012	■	
600	◆	MECHANICAL SEAL - BLOCDIR LRB HT	1	AUX305886	■	
600	◆	MECHANICAL SEAL - BLOCDIR C I CVT	1	AUX307562	■	
600	◆	MECHANICAL SEAL - BLOCDIR C I VT	1	AUX300999	■	
600	◆	MECHANICAL SEAL - BLOCDIR HR CVT	1	AUX307567	■	
600	◆	MECHANICAL SEAL - BLOCDIR HR VT	1	AUX303706	■	
600	◆	MECHANICAL SEAL - BLOCDIR HR HT	1	AUX306011	■	
610		STATIONARY SEAL FACE COMPLETE	(1)			
604		STATIONARY SEAL FACE	(1)			●
605		SEAL	(1)			●
619		BUSHING FOR FEP-FKM MECHANICAL SEAL	(1)			
697		ROTATING PART	(1)			
612		SEAL HOUSING	(1)			●
613		SEAL	(1)			●
614		SPRING GUIDE	(1)			
615		SPRING	(1)			
616		CAGE	(1)			

LRB : Bronze/Stainless steel CRI : Carbon/Stainless steel HR : Tungsten carbide/Tungsten carbide

P100 BA

* 1, 2, 4... : Quantity in equipment - (1), (2), (4)... : Quantity in kit

Item	Available	Description	Qty*	Ref.	Maintenance kit	Wear part
600B	◆	SHAFT SEALS STANDARDIZED IN ACCORDANCE M7N21_45 C CSSF	1	AUX312498	■	●
600B	◆	SHAFT SEALS STANDARDIZED IN ACCORDANCE M7N21_45 C CSSP	1	AUX312499	■	●
600B	◆	SHAFT SEALS STANDARDIZED IN ACCORDANCE M7N21_45 C CSCSF	1	AUX314370	■	●
600B	◆	SHAFT SEALS STANDARDIZED IN ACCORDANCE M7N21_45 C CSCSP	1	AUX313865	■	●
600C	◆	KIT 2 MECHANICAL SEAL AUX312498 M7N21_45 C 2CSSF	1	AUX315955	■	●
600C	◆	KIT 2 MECHANICAL SEAL AUX312499 M7N21_45 C 2CSSP	1	AUX315956	■	●
600C	◆	KIT 2 MECHANICAL SEAL AUX314370 M7N21_45 C 2CSCSF	1	AUX315957	■	●
600C	◆	KIT 2 MECHANICAL SEAL AUX313865 M7N21_45 C 2CSCSP	1	AUX315958	■	●
609A	◆	BLOCDIR SHAFTSEAL HOLDER COMPLETE - STANDARD PUMP :				
		- WITHOUT GREASE RESERVE - CVT	1	AUX313798		
609A	◆	- WITH GREASE RESERVE - CVT	1	AUX314323		
609A	◆	- WITHOUT GREASE RESERVE - FKM	1	AUX307616		
609A	◆	- WITH GREASE RESERVE - FKM	1	AUX314321		
609A	◆	- WITHOUT GREASE RESERVE - FKM HT	1	AUX307824		
609A	◆	- WITH GREASE RESERVE - FKM HT	1	AUX314322		
601		SHAFTSEAL HOLDER	(1)			
602		SEAL	(1)			●
602A		SEAL	(1)			●
627		PIN	(1)			
640	◆	RESERVOIR GREASE COMPLETE (PUMP WITH GREASE RESERVE)	1	AUX306190		
643		SNIFTER VALVE	(1)			
644		GREASE NIPPLE	(1)			
645		COVER	(1)			
646		O-RING	(1)			●
647		LIP SEAL	(1)			●
641		DRIVER	(1)			
642		SCREW	(2)			
729		SCREW	(2)			
730		NUT	(2)			
609B	◆	PGSN SHAFTSEAL HOLDER COMPLETE - STANDARD PUMP :				
		- WITHOUT GREASE RESERVE - CVT	1	AUX313800		
609B	◆	- WITH GREASE RESERVE - CVT	1	AUX314343		
609B	◆	- WITHOUT GREASE RESERVE - FKM	1	AUX308052		
609B	◆	- WITH GREASE RESERVE - FKM	1	AUX314341		
609B	◆	- WITHOUT GREASE RESERVE - FKM HT	1	AUX308053		
609B	◆	- WITH GREASE RESERVE - FKM HT	1	AUX314342		
601		SHAFTSEAL HOLDER	(1)			
602		SEAL	(1)			●
602A		SEAL	(1)			●
627		PIN	(1)			
640	◆	RESERVOIR GREASE COMPLETE (PUMP WITH GREASE RESERVE)	1	AUX306190		
643		SNIFTER VALVE	(1)			
644		GREASE NIPPLE	(1)			
645		COVER	(1)			
646		O-RING	(1)			●
647		LIP SEAL	(1)			●
729		SCREW	(2)			
730		NUT	(2)			
609C	◆	PGDN SHAFTSEAL HOLDER COMPLETE - STANDARD PUMP :				
		- CVT	1	AUX313801		
609C	◆	- FKM HT	1	AUX308055		
609C	◆	- FKM	1	AUX308054		
601		SHAFTSEAL HOLDER	(1)			
602A		SEAL	(1)			●
603		SHAFTSEAL SEAT	(1)			
608		PIN	(1)			
621		SEAL	(1)			
627		PIN	(1)			
627A		PIN	(1)			
729		SCREW	(2)			
730		NUT	(2)			

P100 BA

* 1, 2, 4... : Quantity in equipment - (1), (2), (4)... : Quantity in kit

Item	Available	Description	Qty*	Ref.	Maintenance kit	Wear part
609D	◆	SET PTFE GLAND PACKING - CVT - STANDARD PUMP	1	AUX313814		
609D	◆	SET PTFE GLAND PACKING - FKM HT - STANDARD PUMP	1	AUX311736		
609D	◆	SET PTFE GLAND PACKING - FKM - STANDARD PUMP	1	AUX310186		
603		SHAFTSEAL SEAT	(1)			
624		PIN	(2)			
625		JACKET	(1)			●
626		SEAL	(2)			●
628		SCREW	(3)			
629		PACKING	(5)			●
631		RAM	(1)			
632		CIRCLIPS	(1)			
636		STIRRUP SHAFTSEAL HOLDER	(2)			
729		SCREW	(2)			
730		NUT	(2)			
609E	◆	BLOCDIR SHAFTSEAL HOLDER COMPLETE - JACKETED PUMP :	1	AUX314326		
609E	◆	- WITHOUT GREASE RESERVE - CVT	1	AUX314329		
609E	◆	- WITH GREASE RESERVE - CVT	1	AUX314325		
609E	◆	- WITHOUT GREASE RESERVE - FKM	1	AUX314328		
609E	◆	- WITH GREASE RESERVE - FKM	1	AUX313461		
609E	◆	- WITHOUT GREASE RESERVE - FKM HT	1	AUX313462		
609E	◆	- WITH GREASE RESERVE - FKM HT	1			
512		SPACER	(1)			
601		SHAFTSEAL HOLDER	(1)			
602A		SEAL	(1)			●
622		JACKET	(1)			●
623		SEAL	(1)			●
627		PIN	(1)			
641		DRIVER	(1)			
642		SCREW	(2)			
643		SNIFTER VALVE (PUMP WITH GREASE RESERVE)	(1)			
644		GREASE NIPPLE (PUMP WITH GREASE RESERVE)	(1)			
647		LIP SEAL (PUMP WITH GREASE RESERVE)	(1)			●
651		PLUG	(2)			
729		SCREW	(2)			
609F	◆	PGSN SHAFTSEAL HOLDER COMPLETE - JACKETED PUMP :	1	AUX314346		
609F	◆	- WITHOUT GREASE RESERVE - CVT	1	AUX312901		
609F	◆	- WITHOUT GREASE RESERVE - FKM HT	1	AUX314345		
609F	◆	- WITHOUT GREASE RESERVE - FKM	1	AUX314349		
609F	◆	- WITH GREASE RESERVE - CVT	1	AUX314348		
609F	◆	- WITH GREASE RESERVE - FKM	1	AUX312939		
609F	◆	- WITH GREASE RESERVE - FKM HT	1			
512		SPACER	(1)			
601		SHAFTSEAL HOLDER	(1)			
602A		SEAL	(1)			●
622		JACKET	(1)			●
623		SEAL	(1)			●
627		PIN	(1)			
643		SNIFTER VALVE (PUMP WITH GREASE RESERVE)	(1)			
644		GREASE NIPPLE (PUMP WITH GREASE RESERVE)	(1)			
647		LIP SEAL (PUMP WITH GREASE RESERVE)	(1)			●
651		PLUG	(2)			
729		SCREW	(2)			

P100 BA

* 1, 2, 4... : Quantity in equipment - (1), (2), (4)... : Quantity in kit

Item	Available	Description	Qty*	Ref.	Maintenance kit	Wear part
609G	◆	PGDN SHAFTSEAL HOLDER COMPLETE - JACKETED PUMP :				
		- WITHOUT GREASE RESERVE - CVT	1	AUX314336		
609G	◆	- WITHOUT GREASE RESERVE - FKM	1	AUX314335		
609G	◆	- WITHOUT GREASE RESERVE - FKM HT	1	AUX312902		
601		SHAFTSEAL HOLDER	(1)			
602A		SEAL	(1)			●
621		SEAL	(1)			
622		JACKET	(1)			●
623		SEAL	(1)			●
627		PIN	(2)			
650		PLUG	(2)			
651		PLUG	(2)			
729		SCREW	(2)			
609H	◆	SET PTFE GLAND PACKING - FKM - CVT - FKM HT - JACKETED PUMP	1	AUX312896		
624		PIN	(2)			
629		PACKING	(5)			●
631		RAM	(1)			
636		STIRRUP SHAFTSEAL HOLDER	(2)			
651		PLUG	(2)			
729		SCREW	(2)			
704	◆	BALL BEARING KIT	1	AUX307829		
537		RING	(1)			
703		BALL BEARING	(1)			●
731		WASHER	(2)			

P100 BA

* 1, 2, 4... : Quantity in equipment - (1), (2), (4)... : Quantity in kit

Item	Available	Description	Qty*	Ref.	Maintenance kit	Wear part
715	◆	SET OF SEALS + DIVERSE FOR OUTBOARD BEARING - STANDARD PUMP :				
		- CVT	1	AUX313804	■	
715	◆	- FKM	1	AUX307618	■	
715	◆	- FKM HT	1	AUX307619	■	
		SET OF SEALS + DIVERSE FOR OUTBOARD BEARING - JACKETED PUMP :				
715	◆	- CVT	1	AUX318161	■	
715	◆	- FKM	1	AUX318162	■	
715	◆	- FKM HT	1	AUX318160	■	
537		RING	(1)			
602		SEAL	(1)			●
602A		SEAL (CVT : 2)	(1)			●
621		SEAL (CVT)	(2)			
627		PIN	(1)			
646		O-RING	(1)			●
647		LIP SEAL	(1)			●
707		LIP SEAL	(1)			●
714		SEAL (FKM HT)	(1)			●
716		LIP SEAL (FKM - CVT)	(1)			●
727		SEAL	(1)			●
720	◆	OUTBOARD BEARING, COMPLETE - FKM HT - PGDN MECH SEAL	1	AUX308637	■	
720	◆	OUTBOARD BEARING, COMPLETE - CVT - PGDN MECH SEAL	1	AUX313806	■	
720	◆	OUTBOARD BEARING, COMPLETE - FKM - PGDN MECH SEAL	1	AUX308636	■	
720	◆	OUTBOARD BEARING, COMPLETE - CVT - EXCEPT PGDN MECH SEALS	1	AUX313805	■	
720	◆	OUTBOARD BEARING, COMPLETE - FKM - EXCEPT PGDN MECH SEALS	1	AUX307612	■	
720	◆	OUTBOARD BEARING, COMPLETE - FKM HT - EXCEPT PGDN MECH SEALS	1	AUX307827	■	
703		BALL BEARING	(1)			●
716		LIP SEAL	(1)			●
725		OUTBOARD BEARING	(1)			
726		SCREW	(3)			
727		SEAL	(1)			●
731		WASHER	(2)			
720	◆	OUTBOARD BEARING, COMPLETE FOR JACKETED PUMP	1	AUX312897	■	
703		BALL BEARING	(1)			●
716		LIP SEAL	(1)			●
725		OUTBOARD BEARING	(1)			
726		SCREW	(4)			
731		WASHER	(2)			
740	◆	COVER COMPLETE	1	AUX307613		
705		COVER	(1)			
707		LIP SEAL	(1)			●
723		SCREW	(4)			
868	◆	COMPLETE STIRRUP - CVT	1	AUX313809		
868	◆	COMPLETE STIRRUP - FKM	1	AUX309896		
868	◆	COMPLETE STIRRUP - FKM HT	1	AUX309897		
858	◆	SEAL CVT	2	AUX224056		●
858	◆	SEAL FKM HT	2	AUX209269		●
858	◆	SEAL FKM	2	AUX205803		●
859A		WASHER	(1)			
859B		SCREW	(1)			
865		PLUG	(2)			
867		STIRRUP	(1)			

P100 BA

* 1, 2, 4... : Quantity in equipment - (1), (2), (4)... : Quantity in kit

Item	Available	Description	Qty*	Ref.	Maintenance kit	Wear part
Single bypass						
(without Spring 824 and without Complete plug 866) :						
820	◆	SINGLE BYPASS, COMPLETE (WITHOUT SPRING) - FKM HT	1	AUX307600		
820	◆	SINGLE BYPASS, COMPLETE (WITHOUT SPRING) - CVT	1	AUX313807		
820	◆	SINGLE BYPASS, COMPLETE (WITHOUT SPRING) - FKM	1	AUX307594		
108	◆	VALVE SEAT	1	AUX212211		
115		BYPASS ORIENTATION PLATE	(1)			
116		PIN	(2)			
125		SCREW	(1)			
126		SEAL	(1)			
801		BYPASS BODY	(1)			
823	◆	VALVE	1	AUX205189		
827		INTERNAL RELIEF VALVE CAP	(1)			
858	◆	SEAL CVT	2	AUX224056		●
858	◆	SEAL FKM HT	2	AUX209269		●
858	◆	SEAL FKM	2	AUX205803		●
859		STUD	(2)			
859A		NUT	(2)			
898	◆	PRESSURE SCREW ASSEMBLY - FKM	1	AUX307765		
898	◆	PRESSURE SCREW ASSEMBLY - CVT	1	AUX313815		
898	◆	PRESSURE SCREW ASSEMBLY - FKM HT	1	AUX307766		
807		SEAL	(1)			●
825		SPRING GUIDE	(1)			
826		ADJUSTING SCREW	(1)			
826A		WASHER	(1)			
831		PIN	(1)			
834		NUT	(1)			
835		NUT	(1)			
837		SEAL	(1)			●
856		SCREW	(4)			
824	◆	SPRING 3 BAR	1	AUX212076		
824	◆	6 BAR SPRING	1	AUX212077		
824	◆	9 BAR SPRING	1	AUX212078		
824	◆	12 BAR SPRING	1	AUX309516		
824A		9 BAR SPRING	(1)			
828		WASHER	(1)			
866	◆	COMPLETE PLUG	1	AUX307633	■	●
850		SEAL	(1)			
857		PLUG	(1)			
860		SCREW	(4)			
899	◆	SET OF SEALS + DIVERSE FOR BYPASS - FKM	1	AUX307776	■	●
899	◆	SET OF SEALS + DIVERSE FOR BYPASS - CVT	1	AUX313810	■	
899	◆	SET OF SEALS + DIVERSE FOR BYPASS - FKM HT	1	AUX307830	■	
807		SEAL	(1)			●
831		PIN	(1)			
834		NUT	(1)			
835		NUT	(1)			
837		SEAL	(1)			●
850		SEAL	(1)			●
856		SCREW	(4)			
858	◆	SEAL CVT	2	AUX224056		●
858	◆	SEAL FKM HT	2	AUX209269		●
858	◆	SEAL FKM	2	AUX205803		●
859		STUD	(2)			
859A		NUT	(2)			
860		SCREW	(4)			
861		WASHER	(4)			

P100 BA

* 1, 2, 4... : Quantity in equipment - (1), (2), (4)... : Quantity in kit

Item	Available	Description	Qty*	Ref.	Maintenance kit	Wear part
Double bypass						
(without Spring 824 and without Complete plug 866) :						
820A	◆	DOUBLE BYPASS, COMPLETE (WITHOUT SPRING) - FKM HT	1	AUX307603		
820A	◆	DOUBLE BYPASS, COMPLETE (WITHOUT SPRING) - CVT	1	AUX313808		
820A	◆	DOUBLE BYPASS, COMPLETE (WITHOUT SPRING) - FKM	1	AUX307597		
108	◆	VALVE SEAT	2	AUX212211		
115		BYPASS ORIENTATION PLATE	(1)			
116		PIN	(2)			
125		SCREW	(2)			
126		SEAL	(2)			
801		BYPASS BODY	(1)			
823	◆	VALVE	2	AUX205189		
827		INTERNAL RELIEF VALVE CAP	(2)			
858	◆	SEAL CVT	2	AUX224056		●
858	◆	SEAL FKM HT	2	AUX209269		●
858	◆	SEAL FKM	2	AUX205803		●
859		STUD	(2)			
859A		NUT	(2)			
898	◆	PRESSURE SCREW ASSEMBLY - FKM	2	AUX307765		
898	◆	PRESSURE SCREW ASSEMBLY - CVT	2	AUX313815		
898	◆	PRESSURE SCREW ASSEMBLY - FKM HT	2	AUX307766		
807		SEAL	(1)			●
825		SPRING GUIDE	(1)			
826		ADJUSTING SCREW	(1)			
826A		WASHER	(1)			
831		PIN	(1)			
834		NUT	(1)			
835		NUT	(1)			
837		SEAL	(1)			●
856		SCREW	(4)			
824	◆	SPRING 3 BAR	2	AUX212076		
824	◆	6 BAR SPRING	2	AUX212077		
824	◆	9 BAR SPRING	2	AUX212078		
824	◆	12 BAR SPRING	2	AUX309516		
824A		9 BAR SPRING	(1)			
828		WASHER	(1)			
866	◆	COMPLETE PLUG	2	AUX307633	■	●
850		SEAL	(1)			
857		PLUG	(1)			
860		SCREW	(4)			
899	◆	SET OF SEALS + DIVERSE FOR BYPASS - FKM	2	AUX307776	■	
899	◆	SET OF SEALS + DIVERSE FOR BYPASS - CVT	2	AUX313810	■	
899	◆	SET OF SEALS + DIVERSE FOR BYPASS - FKM HT	2	AUX307830	■	
807		SEAL	(1)			●
831		PIN	(1)			
834		NUT	(1)			
835		NUT	(1)			
837		SEAL	(1)			●
850		SEAL	(1)			●
856		SCREW	(4)			
858	◆	SEAL CVT	2	AUX224056		●
858	◆	SEAL FKM HT	2	AUX209269		●
858	◆	SEAL FKM	2	AUX205803		●
859		STUD	(2)			
859A		NUT	(2)			
860		SCREW	(4)			
861		WASHER	(4)			