



P.L. : 1008-C02

Effective
Replaces

July 2020
January 2019

PARTS LIST
PUMP
P40 BA - P60 BA

Keep this parts lists with Installation, Operation and Maintenance Instructions.

To order the required spare parts, indicate the desired Reference(s).

- ◆ Sets of parts or parts available to order.

CVT : FEP encapsulated FKM

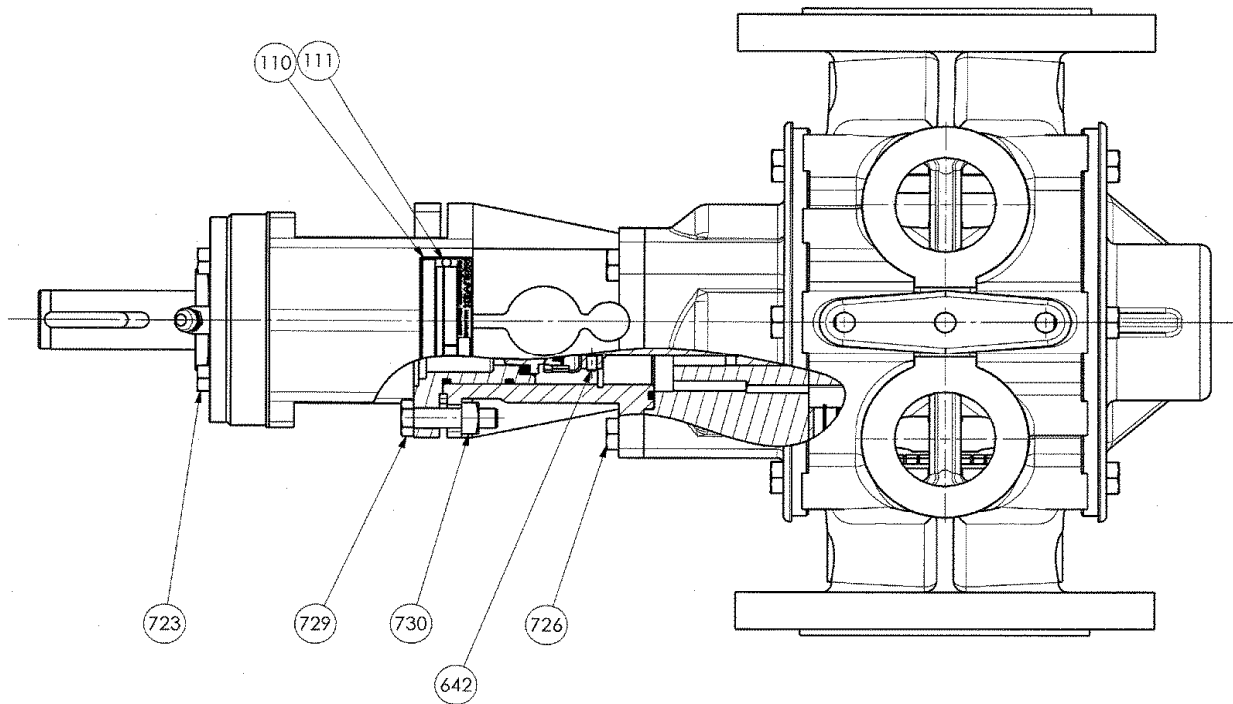
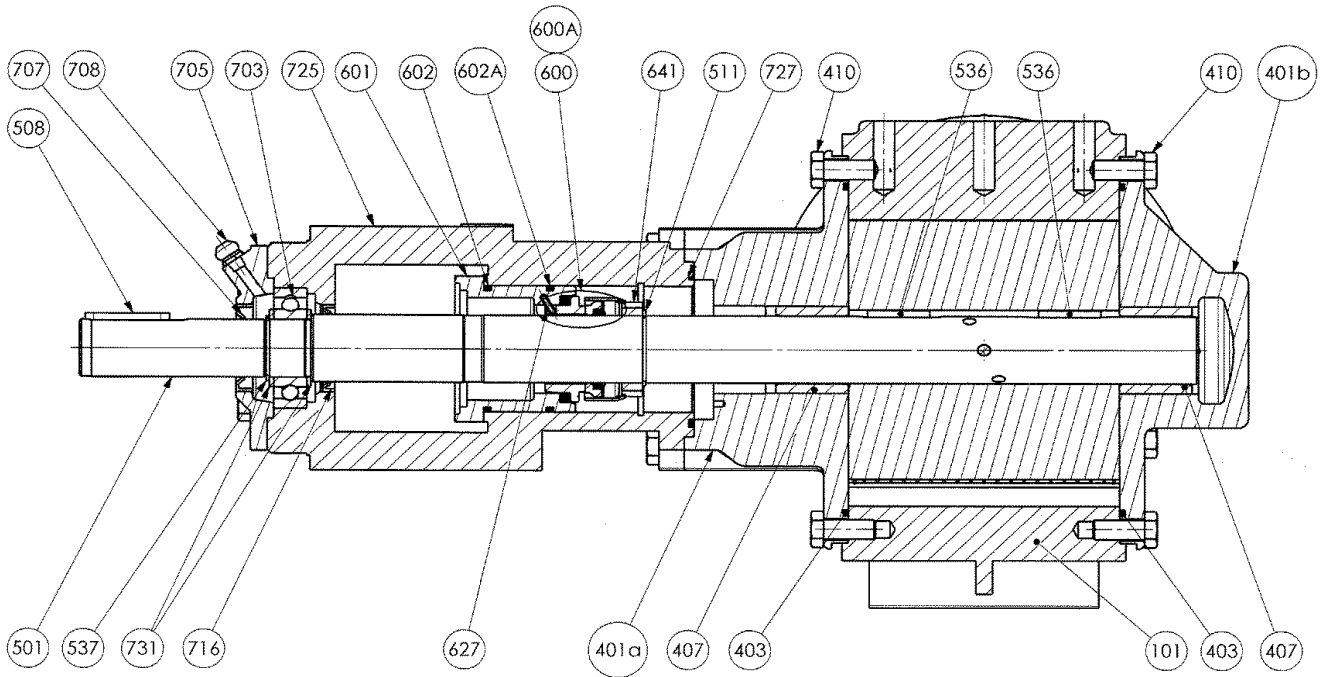
Z.I. la Plaine des Isles - 2 rue des Caillottes F-89000 AUXERRE - France

Tel : +33 (0)3 86 49 86 30 • Fax : +33 (0)3 86 49 87 17

contact.mouvex@psgdover.com • www.mouvex.com

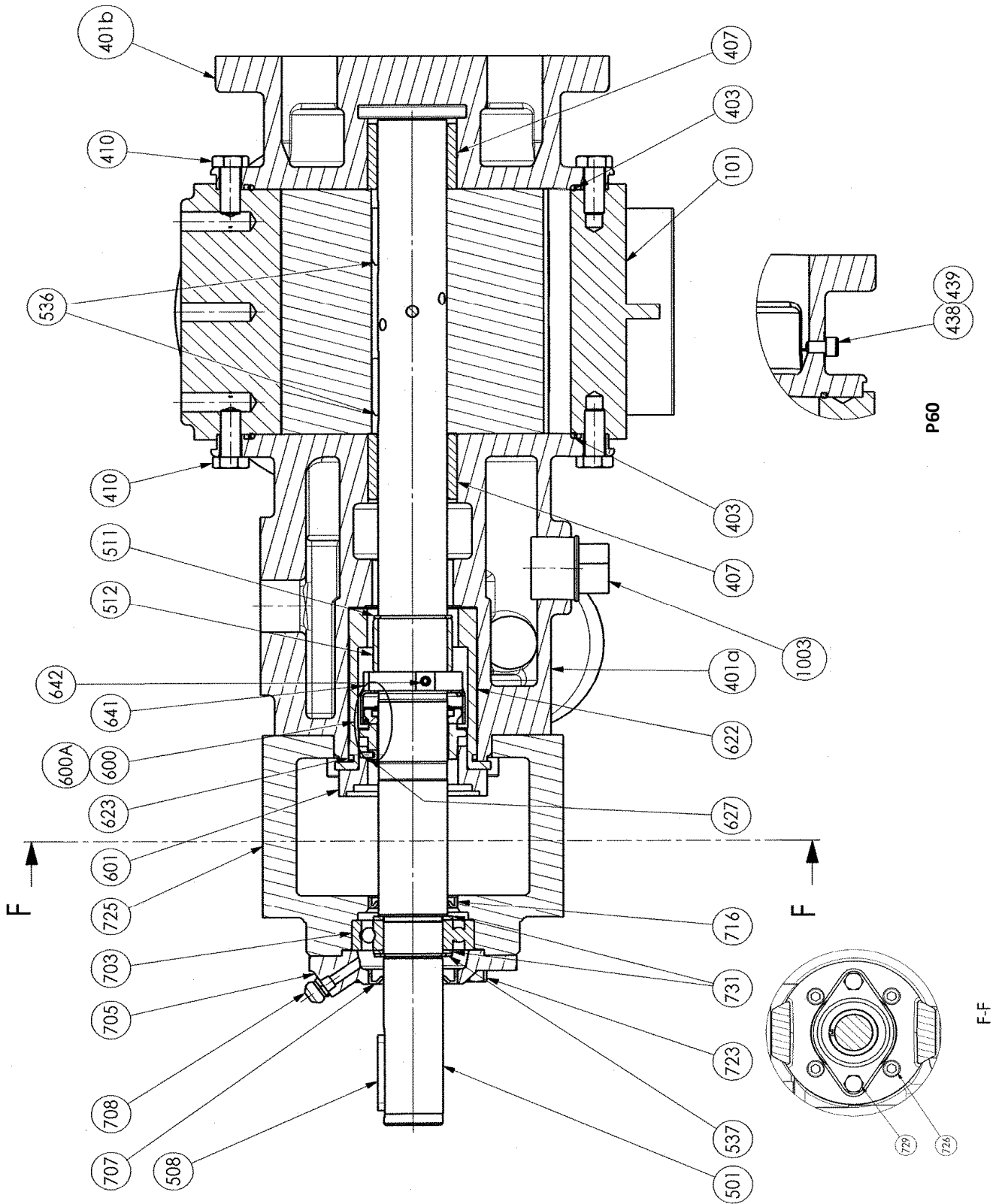
P40 BA - P60 BA

Standard pump with BLOCDIR mechanical seal



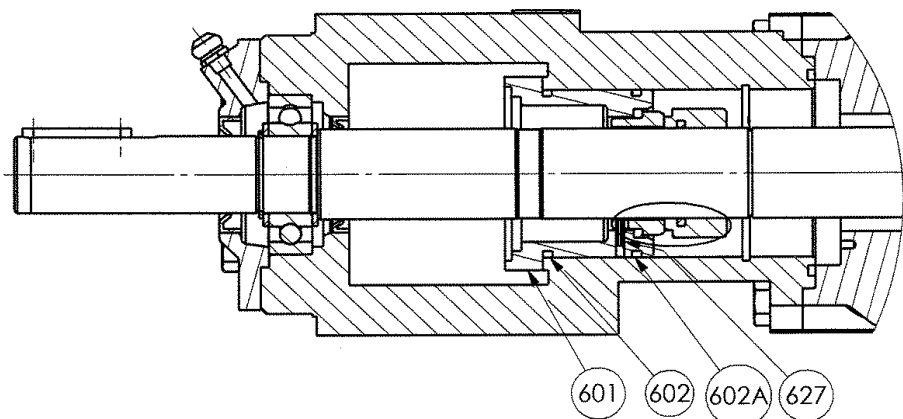
P40 BA - P60 BA

Jacketed pump with BLOCDIR mechanical seal

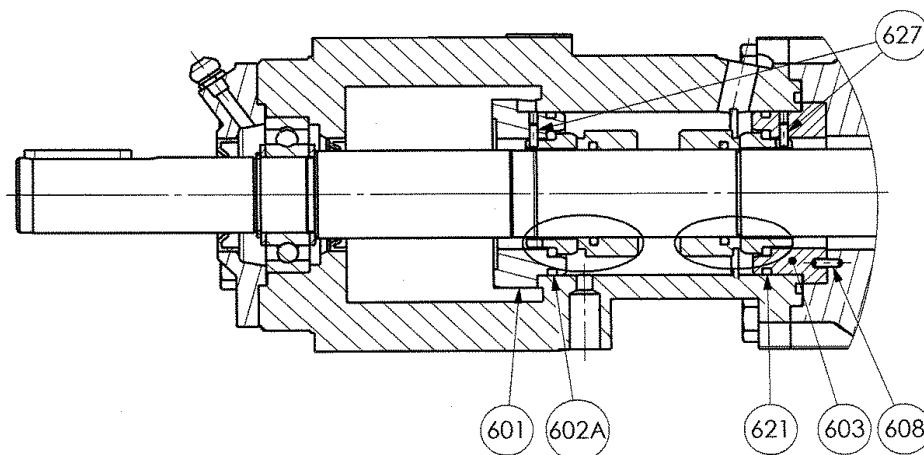


P40 BA - P60 BA Standard pump

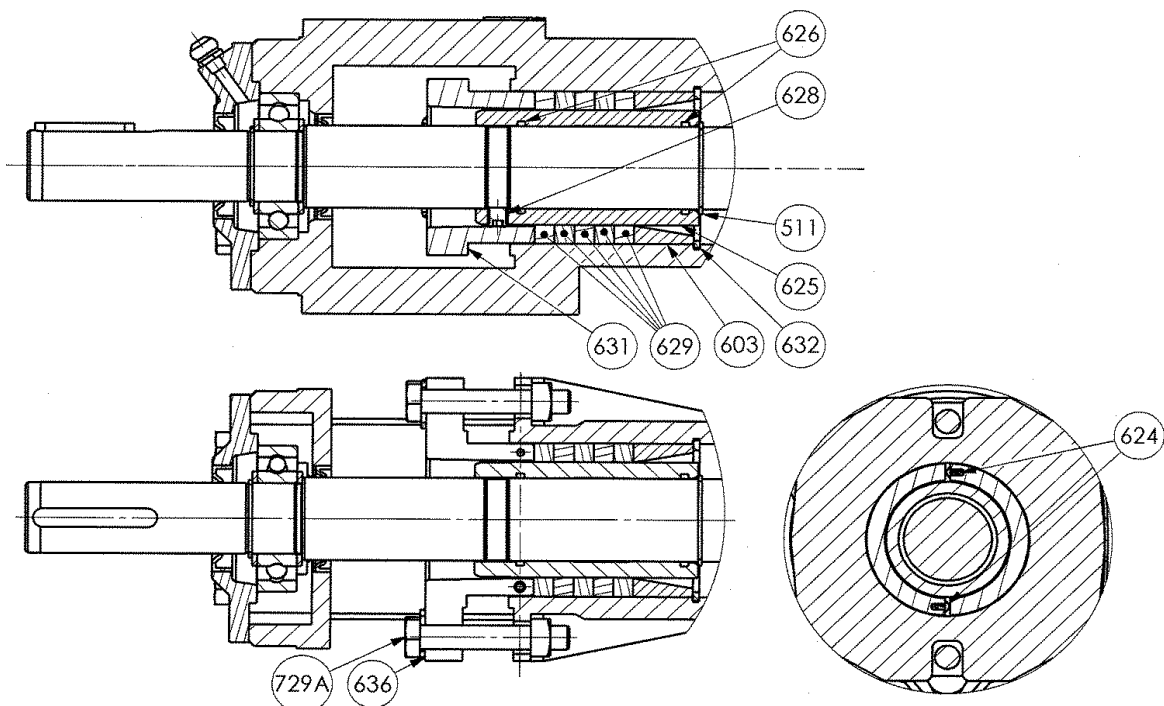
Shaftseal holder - PGSN



Shaftseal holder - PGDN

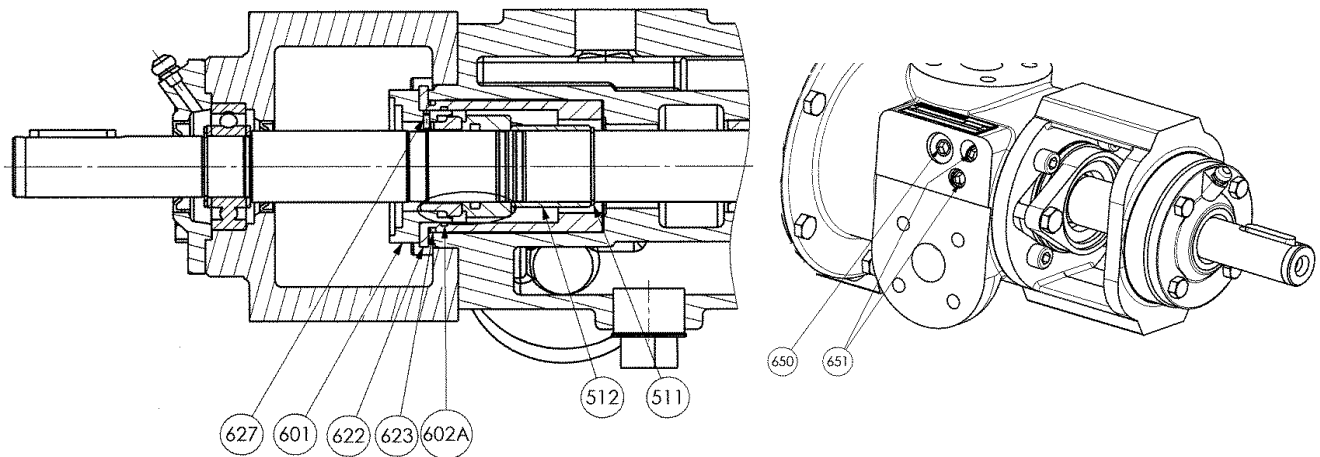


Set PTFE gland packing

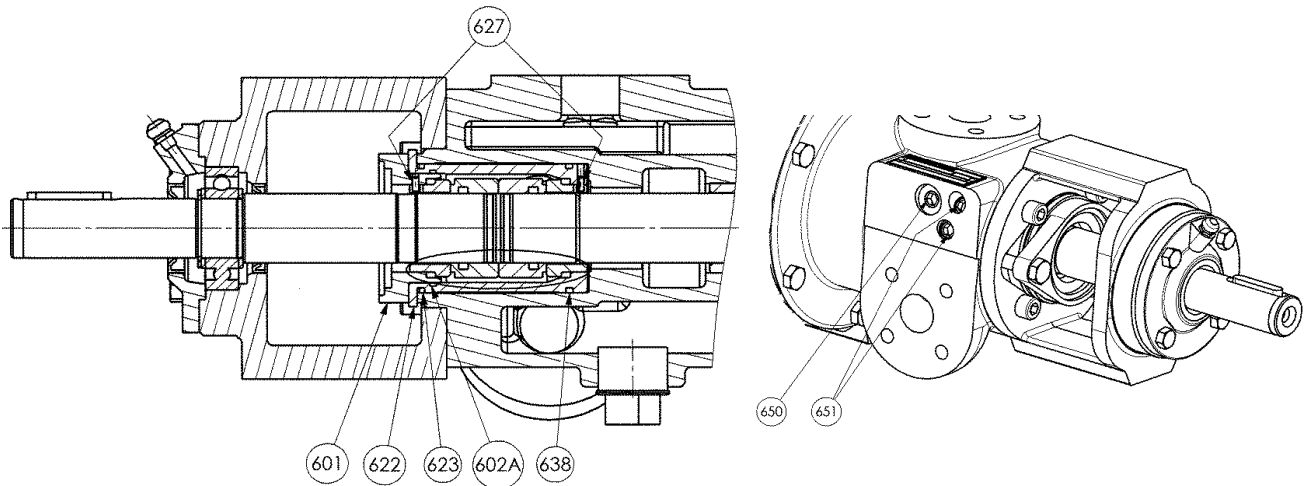


P40 BA - P60 BA Jacketed pump

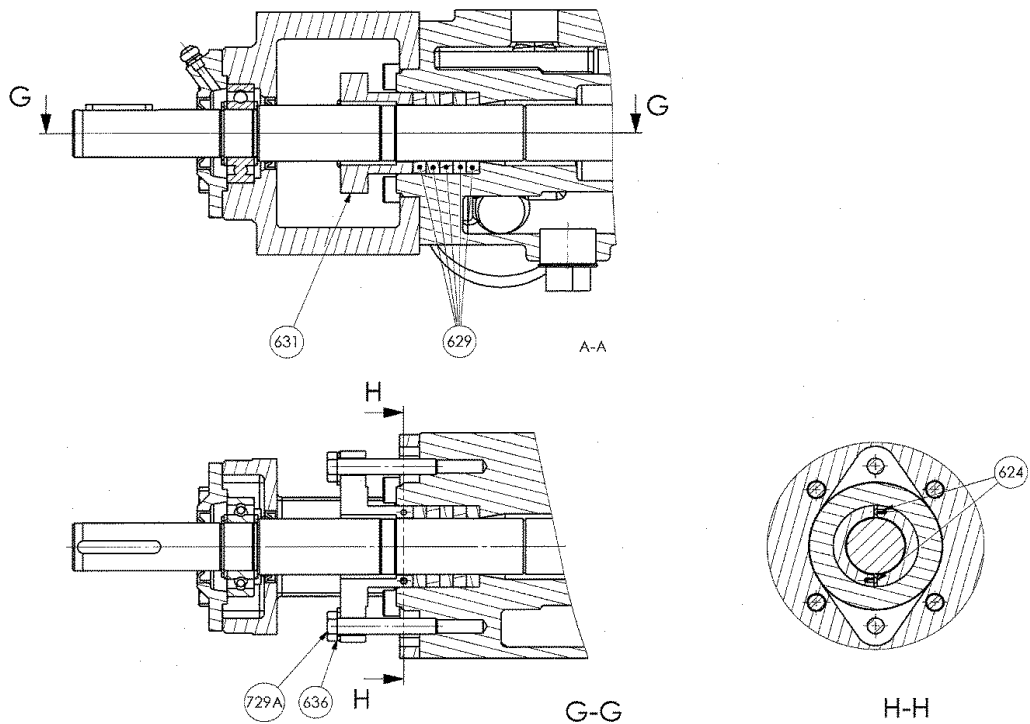
Shaftseal holder - PGSN



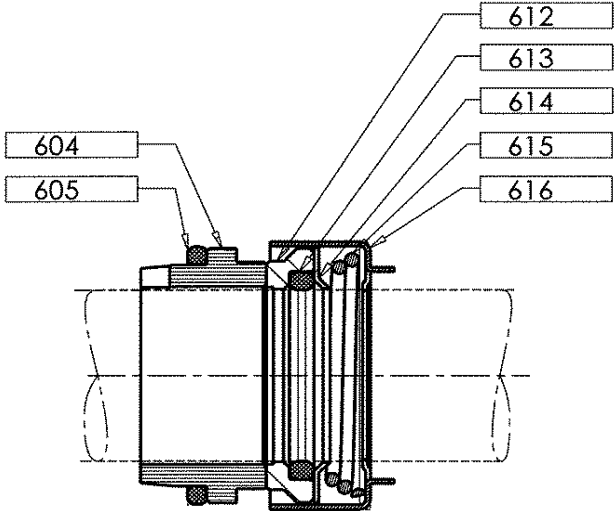
Shaftseal holder - PGDN



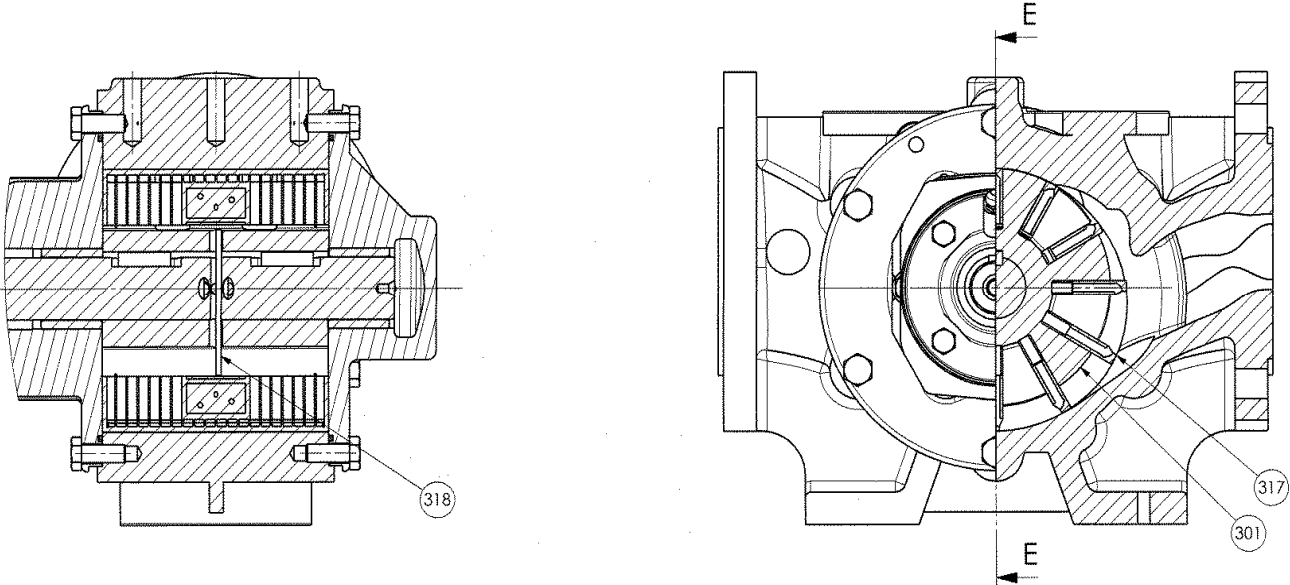
Set PTFE gland packing



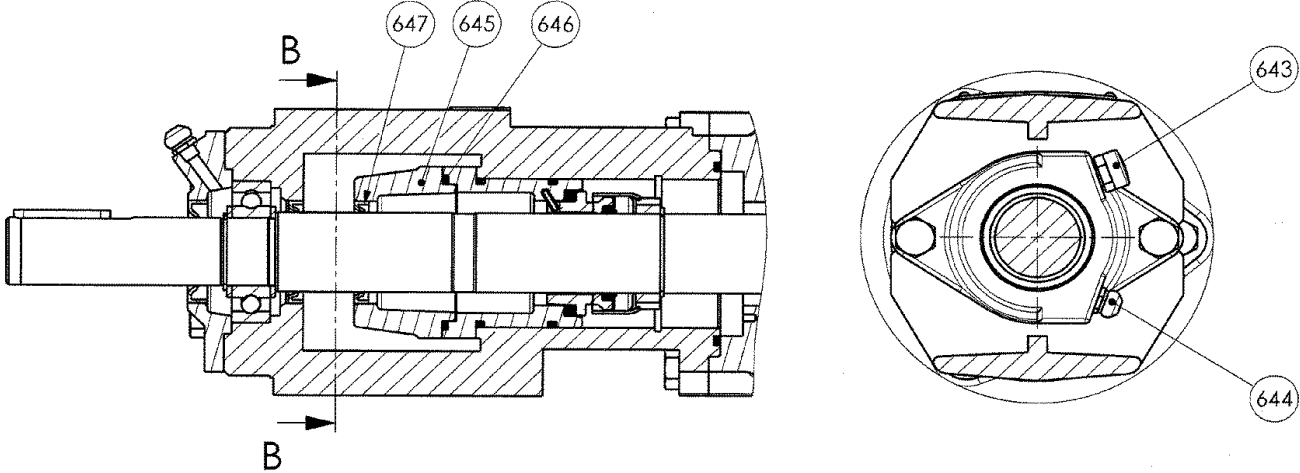
BLOCDIR mechanical seal



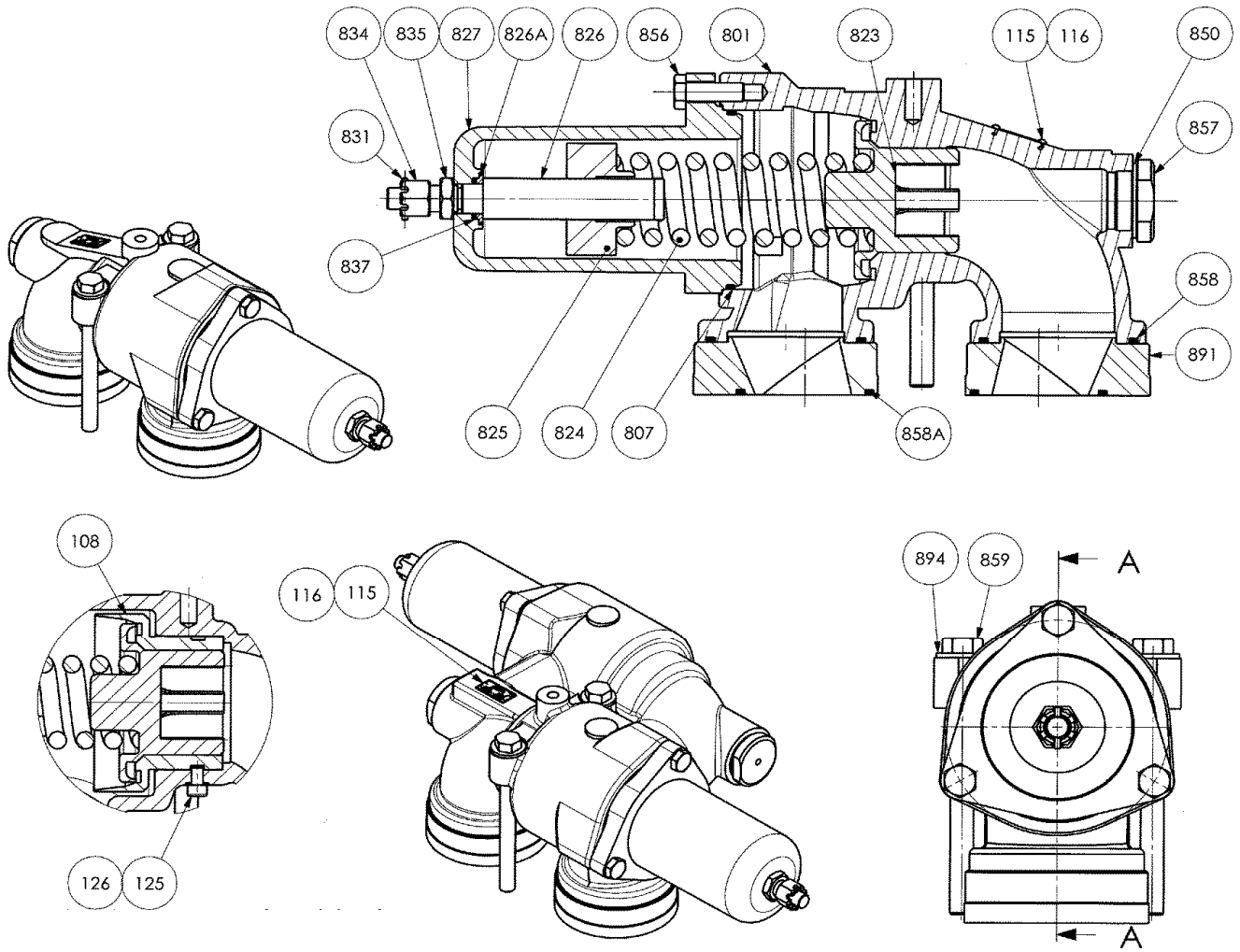
12 vanes rotor



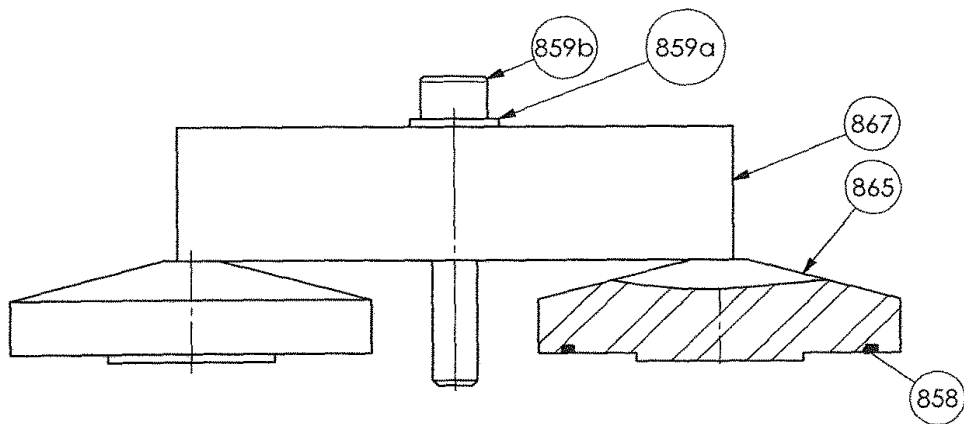
Grease container



Bypass



Stirrup



P40 BA

* 1, 2, 4... : Quantity in equipment - (1), (2), (4)... : Quantity in kit

Item	Available	Description	Qty*	Ref.	Maintenance kit	Wear part
98	◆	FULL SET OF PUMP SCREWS	1	AUX314095		
410		SCREW	(12)			
642		SCREW	(2)			
723		SCREW	(4)			
726		SCREW	(6)			
729		SCREW	(2)			
729A		SCREW	(2)			
730		NUT	(2)			
98	◆	FULL SET OF JACKETED PUMP SCREWS	1	AUX308792		
410		SCREW	(8)			
642		SCREW	(2)			
723		SCREW	(4)			
726		SCREW	(6)			
729		SCREW	(2)			
729A		SCREW	(2)			
730		NUT	(2)			
99	◆	SET OF SEALS - STANDARD PUMP - CVT	1	AUX314097	■	
99	◆	SET OF SEALS - STANDARD PUMP - FKM	1	AUX314092	■	
99	◆	SET OF SEALS - STANDARD PUMP - FKM HT	1	AUX314093	■	
403		O-RING	(2)			●
602		SEAL	(1)			●
602A		SEAL	(1)			●
621		SEAL	(1)			
707		LIP SEAL	(1)			●
716		LIP SEAL	(1)			●
727		SEAL	(1)			●
99	◆	SET OF SEALS - JACKETED PUMP - CVT	1	AUX314363	■	
99	◆	SET OF SEALS - JACKETED PUMP - FKM	1	AUX314361	■	
99	◆	SET OF SEALS - JACKETED PUMP - FKM HT	1	AUX312774	■	
403		O-RING	(2)			●
537		CIRCLIPS	(1)			
602A		SEAL	(1)			●
623		SEAL	(1)			●
638		SEAL	(1)			●
707		LIP SEAL	(1)			●
716		LIP SEAL	(1)			●
101	◆	BODY NO CHROMIUM PLATING	1	AUX211502		
301	◆	12 VANES ROTOR	1	AUX211503		
301	◆	6 VANES ROTOR	1	AUX220279		
309	◆	SET OF 6 VANES TVP	1	AUX313380	■	
309	◆	SET OF 6 VANES TVP WITH HOLES	1	AUX313381	■	
309	◆	SET OF 12 VANES TVP WITH HOLES	1	AUX307787	■	
309	◆	SET OF 12 VANES TVP	1	AUX307788	■	
317		VANE	(6/12)			●
325	◆	SET OF 3 PUSHRODS	1	AUX312767	■	
325	◆	SET OF 6 PUSHRODS	1	AUX307085	■	
318		PUSHROD	(3/6)			●

P40 BA

* 1, 2, 4... : Quantity in equipment - (1), (2), (4)... : Quantity in kit

Item	Available	Description	Qty*	Ref.	Maintenance kit	Wear part
400	◆	FRONT COVER COMPLETE - STANDARD VERSION	1	AUX307080		
400	◆	FRONT COVER COMPLETE - HT VERSION	1	AUX314269		
400	◆	FRONT COVER COMPLETE - STANDARD VERSION - ENLARGED CLEARANCE	1	AUX312440		
400	◆	FRONT COVER COMPLETE - HT VERSION - ENLARGED CLEARANCE	1	AUX314274		
401A		FRONT COVER	(1)			
401B		FRONT COVER	(1)			
407		BUSHING	(2)			●
410		SCREW	(12)			
400E	◆	FRONT COVER FOR JACKETED PUMP WITH : -MECHANICAL SEAL	1	AUX314270		
400E	◆	-MECHANICAL SEAL-HT	1	AUX314272		
400E	◆	-MECHANICAL SEAL-ENLARGED CLEARANCE	1	AUX312769		
400E	◆	-MECHANICAL SEAL-HT-ENLARGED CLEARANCE	1	AUX314275		
400E	◆	-PACKING	1	AUX314271		
400E	◆	-PACKING-HT	1	AUX314273		
400E	◆	-PACKING-ENLARGED CLEARANCE	1	AUX312768		
400E	◆	-PACKING-HT-ENLARGED CLEARANCE	1	AUX314276		
401A		FRONT COVER	(1)			
401B		FRONT COVER	(1)			
407		BUSHING	(2)			●
410		SCREW	(12)			
1003		PLUG (FOR HEATING JACKET)	(1)			
409	◆	SET OF FRONT COVER O-RINGS - FKM HT	1	AUX307098	■	
409	◆	SET OF FRONT COVER O-RINGS - FKM	1	AUX304373	■	
409	◆	SET OF FRONT COVER O-RINGS - CVT	1	AUX309321	■	
403		O-RING	(2)			●
420	◆	SET OF CARBON BUSHINGS - HT VERSION - ENLARGED CLEARANCE	1	AUX314099	■	
420	◆	SET OF CARBON BUSHINGS - STANDARD VERSION - ENLARGED CLEARANCE	1	AUX314369	■	
420	◆	SET OF CARBON BUSHINGS - HT VERSION	1	AUX314098	■	
420	◆	SET OF CARBON BUSHINGS - STANDARD VERSION	1	AUX314368	■	
407		BUSHING	(2)			●
500	◆	SHAFT COMPLETE P40 BA	1	AUX319637		
501		SHAFT	(1)			
599	◆	SET OF KEYS - PUMP WITH PUSHRODS	1	AUX307092		
508		KEY	(1)			
536		KEY	(2)			
537		CIRCLIPS	(1)			
600	◆	MECHANICAL SEAL - BLOCDIR LRB VT	1	AUX300648	■	
600	◆	MECHANICAL SEAL - BLOCDIR LRB HT	1	AUX307135	■	
600	◆	MECHANICAL SEAL - BLOCDIR CRI CVT	1	AUX307549	■	
600	◆	MECHANICAL SEAL - BLOCDIR CRI VT	1	AUX300639	■	
600	◆	MECHANICAL SEAL - BLOCDIR HR CVT	1	AUX307550	■	
600	◆	MECHANICAL SEAL - BLOCDIR HR VT	1	AUX303333	■	
600	◆	MECHANICAL SEAL - BLOCDIR HR HT	1	AUX307136	■	
610		STATIONARY SEAL FACE COMPLETE	(1)			
604		STATIONARY SEAL FACE	(1)			●
605		SEAL	(1)			●
619		BUSHING FOR FEP-FKM MECHANICAL SEAL	(1)			
697		ROTATING PART	(1)			
612		SEAL HOUSING	(1)			●
613		SEAL	(1)			●
614		SPRING BASE	(1)			
615		SPRING	(1)			
616		CAGE	(1)			

LRB : Bronze/Stainless steel CRI : Carbon/Stainless steel HR : Tungsten carbide/Tungsten carbide

P40 BA

* 1, 2, 4... : Quantity in equipment - (1), (2), (4)... : Quantity in kit

Item	Available	Description	Qty*	Ref.	Maintenance kit	Wear part
600B	◆	SHAFT SEALS STANDARDIZED IN ACCORDANCE M7N21_35 C CSSF	1	AUX311808	■	●
600B	◆	SHAFT SEALS STANDARDIZED IN ACCORDANCE M7N21_35 C CSSP	1	AUX310386	■	●
600B	◆	SHAFT SEALS STANDARDIZED IN ACCORDANCE M7N21_35 C CSCSF	1	AUX312022	■	●
600B	◆	SHAFT SEALS STANDARDIZED IN ACCORDANCE M7N21_35 C CSCSP	1	AUX311480	■	●
600C	◆	KIT 2 MECHANICAL SEAL AUX311808 M7N21_35 C 2CSSF	1	AUX315939	■	●
600C	◆	KIT 2 MECHANICAL SEAL AUX310386 M7N21_35 C 2CSSP	1	AUX315940	■	●
600C	◆	KIT 2 MECHANICAL SEAL AUX312022 M7N21_35 C 2CSCSF	1	AUX315941	■	●
600C	◆	KIT 2 MECHANICAL SEAL AUX311480 M7N21_35 C 2CSCSP	1	AUX315942	■	●
609A	◆	BLOCDIR SHAFTSEAL HOLDER COMPLETE - CVT - STANDARD PUMP	1	AUX312375		
609A	◆	BLOCDIR SHAFTSEAL HOLDER COMPLETE - FKM - STANDARD PUMP	1	AUX307778		
609A	◆	BLOCDIR SHAFTSEAL HOLDER COMPLETE - FKM HT - STANDARD PUMP	1	AUX307779		
511		CIRCLIPS	(1)			
601		SHAFTSEAL HOLDER	(1)			
602		SEAL	(1)			●
602A		SEAL	(1)			●
627		PIN	(1)			
641		DRIVER	(1)			
642		SCREW	(2)			
729		SCREW	(2)			
730		NUT	(2)			
609B	◆	PGSN SHAFTSEAL HOLDER COMPLETE - CVT - STANDARD PUMP	1	AUX312448		
609B	◆	PGSN SHAFTSEAL HOLDER COMPLETE - FKM HT - STANDARD PUMP	1	AUX307812		
609B	◆	PGSN SHAFTSEAL HOLDER COMPLETE - FKM - STANDARD PUMP	1	AUX307811		
601		SHAFTSEAL HOLDER	(1)			
602		SEAL	(1)			●
602A		SEAL	(1)			●
627		PIN	(1)			
729		SCREW	(2)			
730		NUT	(2)			
609C	◆	PGDN SHAFTSEAL HOLDER COMPLETE - CVT - STANDARD PUMP	1	AUX312449		
609C	◆	PGDN SHAFTSEAL HOLDER COMPLETE - FKM - STANDARD PUMP	1	AUX307860		
609C	◆	PGDN SHAFTSEAL HOLDER COMPLETE - FKM HT - STANDARD PUMP	1	AUX307861		
601		SHAFTSEAL HOLDER	(1)			
602A		SEAL	(1)			●
603		SHAFTSEAL SEAT	(1)			
608		PIN	(1)			
621		SEAL	(1)			
627		PIN	(2)			
729		SCREW	(2)			
730		NUT	(2)			
609D	◆	SET PTFE GLAND PACKING - CVT - STANDARD PUMP	1	AUX312479		
609D	◆	SET PTFE GLAND PACKING - FKM HT - STANDARD PUMP	1	AUX312478		
609D	◆	SET PTFE GLAND PACKING - FKM - STANDARD PUMP	1	AUX309693		
511		CIRCLIPS	(1)			
603		SHAFTSEAL SEAT	(1)			
624		PIN	(2)			
625		JACKET	(1)			●
626		SEAL	(2)			●
628		SCREW	(3)			
629		PACKING	(5)			●
631		RAM	(1)			
632		CIRCLIPS	(1)			
636		STIRRUP SHAFTSEAL HOLDER	(2)			
729A		SCREW	(2)			
730		NUT	(2)			

P40 BA

* 1, 2, 4... : Quantity in equipment - (1), (2), (4)... : Quantity in kit

Item	Available	Description	Qty*	Ref.	Maintenance kit	Wear part
609E	◆	BLOCDIR SHAFTSEAL HOLDER COMPLETE - CVT - JACKETED PUMP	1	AUX314287		
609E	◆	BLOCDIR SHAFTSEAL HOLDER COMPLETE - FKM - JACKETED PUMP	1	AUX314286		
609E	◆	BLOCDIR SHAFTSEAL HOLDER COMPLETE - FKM HT - JACKETED PUMP	1	AUX313460		
511		CIRCLIPS	(1)			
512		SPACER	(1)			
601		SHAFTSEAL HOLDER	(1)			
622		JACKET	(1)			●
623		SEAL	(1)			●
627		PIN	(1)			
641		DRIVER	(1)			
642		SCREW	(2)			
650		PLUG	(2)			
651		PLUG	(2)			
729		SCREW	(2)			
609F	◆	PGSN SHAFTSEAL HOLDER COMPLETE - CVT - JACKETED PUMP	1	AUX314281		
609F	◆	PGSN SHAFTSEAL HOLDER COMPLETE - FKM - JACKETED PUMP	1	AUX314280		
609F	◆	PGSN SHAFTSEAL HOLDER COMPLETE - FKM HT - JACKETED PUMP	1	AUX312776		
511		CIRCLIPS	(1)			
512		SPACER	(1)			
601		SHAFTSEAL HOLDER	(1)			
602A		SEAL	(1)			●
622		JACKET	(1)			●
623		SEAL	(1)			●
627		PIN	(1)			
650		PLUG	(2)			
651		PLUG	(2)			
729		SCREW - FKM & CVT	(2)			
779		SCREW - FKM HT	(2)			
609G	◆	PGDN SHAFTSEAL HOLDER COMPLETE - CVT - JACKETED PUMP	1	AUX314284		
609G	◆	PGDN SHAFTSEAL HOLDER COMPLETE - FKM - JACKETED PUMP	1	AUX314283		
609G	◆	PGDN SHAFTSEAL HOLDER COMPLETE - FKM HT - JACKETED PUMP	1	AUX312777		
601		SHAFTSEAL HOLDER	(1)			
602A		SEAL	(1)			●
622		JACKET	(1)			●
623		SEAL	(1)			●
627		PIN	(2)			
638		SEAL	(1)			●
650		PLUG	(2)			
651		PLUG	(2)			
729		SCREW	(2)			
609H	◆	SET PTFE GLAND PACKING - FKM - CVT - FKM HT - JACKETED PUMP	1	AUX312771		
624		PIN	(2)			
629		PACKING	(5)			●
631		RAM	(1)			
636		STIRRUP SHAFTSEAL HOLDER	(2)			
650		PLUG	(2)			
651		PLUG	(2)			
729A		SCREW	(2)			
640	◆	RESERVOIR GREASE COMPLETE	1	AUX307099		
643		SNIFTER VALVE	(1)			
644		GREASE NIPPLE	(1)			
645		COVER	(1)			
646		SEAL	(1)			●
647		LIP SEAL	(1)			●

P40 BA

* 1, 2, 4... : Quantity in equipment - (1), (2), (4)... : Quantity in kit

Item	Available	Description	Qty*	Ref.	Maintenance kit	Wear part
704	◆	BALL BEARING KIT	1	AUX307792		
537		CIRCLIPS	(1)			
703		BALL BEARING	(1)			●
731		WASHER	(2)			
715	◆	SET OF SEALS + DIVERSE FOR OUTBOARD BEARING - STANDARD PUMP :	1	AUX312339	■	
715	◆	- CVT	1	AUX307100	■	
715	◆	- FKM	1	AUX307165	■	
511		CIRCLIPS	(1)			
537		CIRCLIPS	(1)			
602		SEAL	(1)			●
602A		SEAL	(1)			●
608		PIN	(1)			
621		SEAL	(1)			
627		PIN	(1)			
646		SEAL	(1)			●
647		LIP SEAL	(1)			●
707		LIP SEAL	(1)			●
716		LIP SEAL	(1)			●
727		SEAL	(1)			●
715	◆	SET OF SEALS + DIVERSE FOR OUTBOARD BEARING - JACKETED PUMP :	1	AUX314367	■	
715	◆	- CVT	1	AUX314364	■	
715	◆	- FKM	1	AUX314365	■	
511		CIRCLIPS	(1)			
537		CIRCLIPS	(1)			
602A		SEAL	(1)			●
623		SEAL	(1)			●
627		PIN	(2)			
638		SEAL	(1)			●
646		SEAL	(1)			●
647		LIP SEAL	(1)			●
707		LIP SEAL	(1)			●
716		LIP SEAL	(1)			●
720	◆	OUTBOARD BEARING, COMPLETE - STANDARD PUMP :	1	AUX312452	■	
720	◆	- CVT - PGDN MECH SEAL	1	AUX307863	■	
720	◆	- FKM - PGDN MECH SEAL	1	AUX307864	■	
720	◆	- FKM HT - PGDN MECH SEAL	1	AUX307706	■	
720	◆	- FKM HT - EXCEPT PGDN MECH SEALS	1	AUX312338	■	
720	◆	- CVT - EXCEPT PGDN MECH SEALS	1	AUX307131	■	
720	◆	- FKM - EXCEPT PGDN MECH SEALS	1			
703		BALL BEARING	(1)			●
716		LIP SEAL	(1)			●
725		OUTBOARD BEARING	(1)			
726		SCREW	(3)			
727		SEAL	(1)			●
731		WASHER	(2)			
720	◆	OUTBOARD BEARING, COMPLETE FOR JACKETED PUMP	1	AUX312772	■	
703		BALL BEARING	(1)			●
716		LIP SEAL	(1)			●
725		OUTBOARD BEARING	(1)			
726		SCREW	(4)			
731		WASHER	(2)			
740	◆	COVER COMPLETE	1	AUX307702		
705		BEARING COVER	(1)			
707		LIP SEAL	(1)			●
708		GREASE NIPPLE	(1)			
723		SCREW	(4)			

P40 BA

* 1, 2, 4... : Quantity in equipment - (1), (2), (4)... : Quantity in kit

Item	Available	Description	Qty*	Ref.	Maintenance kit	Wear part
Single bypass						
(without Spring 824 and without Complete plug 866) :						
820	◆	SINGLE BYPASS, COMPLETE (WITHOUT SPRING) - CVT	1	AUX319748		
820	◆	SINGLE BYPASS, COMPLETE (WITHOUT SPRING) - FKM	1	AUX319749		
820	◆	SINGLE BYPASS, COMPLETE (WITHOUT SPRING) - FKM HT	1	AUX319750		
115		BYPASS ORIENTATION PLATE	(1)			
116		PIN	(2)			
801		BYPASS BODY	(1)			
823	◆	VALVE	1	AUX212426		
827		INTERNAL RELIEF VALVE CAP	(1)			
858	◆	SEAL FKM HT	2	AUX200818		●
858	◆	SEAL FEP-FKM	2	AUX211442		●
858	◆	SEAL FKM	2	AUX200912		●
858A		O-RING	(2)			●
859		SCREW	(2)			
891		SPACER	(2)			
894		WASHER	(2)			
898	◆	PRESSURE SCREW ASSEMBLY - CVT	1	AUX319751		
898	◆	PRESSURE SCREW ASSEMBLY - FKM HT	1	AUX319752		
898	◆	PRESSURE SCREW ASSEMBLY - FKM	1	AUX319753		
807		SEAL	(1)			●
825		SPRING BASE	(1)			
826		ADJUSTING SCREW	(1)			
826A		WASHER	(1)			
831		PIN	(1)			
834		NUT	(1)			
835		NUT	(1)			
837		SEAL	(1)			●
856		SCREW	(3)			
824	◆	3 BAR SPRING	1	AUX216012		
824	◆	6 BAR SPRING	1	AUX216013		
824	◆	12 BAR SPRING	1	AUX219067		
866	◆	COMPLETE PLUG	1	AUX307734	■	
850		SEAL	(1)			●
857		PLUG	(1)			
899	◆	SET OF SEALS + DIVERSE FOR BYPASS - CVT	1	AUX312337	■	
899	◆	SET OF SEALS + DIVERSE FOR BYPASS - FKM	1	AUX309594	■	
899	◆	SET OF SEALS + DIVERSE FOR BYPASS - FKM HT	1	AUX309595	■	
807		SEAL	(1)			●
831		PIN	(1)			
834		NUT	(1)			
835		NUT	(1)			
837		SEAL	(1)			●
850		SEAL	(1)			●
856		SCREW	(3)			
858	◆	SEAL FKM HT	2	AUX200818		●
858	◆	SEAL FEP-FKM	2	AUX211442		●
858	◆	SEAL FKM	2	AUX200912		●
858A		SEAL	(2)			●
859		SCREW	(2)			

P40 BA

* 1, 2, 4... : Quantity in equipment - (1), (2), (4)... : Quantity in kit

Item	Available	Description	Qty*	Ref.	Maintenance kit	Wear part
Double bypass						
(without Spring 824 and without Complete plug 866) :						
820A	◆	DOUBLE BYPASS, COMPLETE (WITHOUT SPRING) - CVT	1	AUX319754		
820A	◆	DOUBLE BYPASS, COMPLETE (WITHOUT SPRING) - FKM	1	AUX319755		
820A	◆	DOUBLE BYPASS, COMPLETE (WITHOUT SPRING) - FKM HT	1	AUX319756		
108		VALVE SEAT	(2)			
115		BYPASS ORIENTATION PLATE	(1)			
116		PIN	(2)			
125		SCREW	(2)			
126		SEAL	(2)			
801		BYPASS BODY	(1)			
823	◆	VALVE	2	AUX212426		
827		INTERNAL RELIEF VALVE CAP	(2)			
858	◆	SEAL FKM HT	2	AUX200818		●
858	◆	SEAL FEP-FKM	2	AUX211442		●
858	◆	SEAL FKM	2	AUX200912		●
858A		O-RING	(2)			●
859		SCREW	(2)			
891		SPACER	(2)			
894		WASHER	(2)			
898	◆	PRESSURE SCREW ASSEMBLY - CVT	2	AUX319751		
898	◆	PRESSURE SCREW ASSEMBLY - FKM HT	2	AUX319752		
898	◆	PRESSURE SCREW ASSEMBLY - FKM	2	AUX319753		
807		SEAL	(1)			●
825		SPRING BASE	(1)			
826		ADJUSTING SCREW	(1)			
826A		WASHER	(1)			
831		PIN	(1)			
834		NUT	(1)			
835		NUT	(1)			
837		SEAL	(1)			●
856		SCREW	(3)			
824	◆	3 BAR SPRING	2	AUX216012		
824	◆	6 BAR SPRING	2	AUX216013		
824	◆	12 BAR SPRING	2	AUX219067		
866	◆	COMPLETE PLUG	2	AUX307734	■	
850		SEAL	(1)			●
857		PLUG	(1)			
899	◆	SET OF SEALS + DIVERSE FOR BYPASS - CVT	2	AUX312337	■	
899	◆	SET OF SEALS + DIVERSE FOR BYPASS - FKM	2	AUX309594	■	
899	◆	SET OF SEALS + DIVERSE FOR BYPASS - FKM HT	2	AUX309595	■	
807		SEAL	(1)			●
831		PIN	(1)			
834		NUT	(1)			
835		NUT	(1)			
837		SEAL	(1)			●
850		SEAL	(1)			●
856		SCREW	(3)			
858	◆	SEAL FKM HT	2	AUX200818		●
858	◆	SEAL FEP-FKM	2	AUX211442		●
858	◆	SEAL FKM	2	AUX200912		●
858A		SEAL	(2)			●
859		SCREW	(2)			

P40 BA

* 1, 2, 4... : Quantity in equipment - (1), (2), (4)... : Quantity in kit

Item	Available	Description	Qty*	Ref.	Maintenance kit	Wear part
868	◆	COMPLETE STIRRUP - FKM HT	1	AUX308808		
868	◆	COMPLETE STIRRUP - CVT	1	AUX312411		
868	◆	COMPLETE STIRRUP - FKM	1	AUX308807		
858	◆	O-RING FKM	2	AUX200795		●
858	◆	SEAL FEP-FKM	2	AUX215301		●
858	◆	O-RING FKM HT	2	AUX209454		●
859A		WASHER	(1)			
859B		SCREW	(1)			
865		PLUG	(2)			
867		STIRRUP	(1)			

P60 BA

* 1, 2, 4... : Quantity in equipment - (1), (2), (4)... : Quantity in kit

Item	Available	Description	Qty*	Ref.	Maintenance kit	Wear part
98	◆	FULL SET OF PUMP SCREWS	1	AUX307299		
410		SCREW	(8)			
642		SCREW	(2)			
723		SCREW	(4)			
726		SCREW	(6)			
729		SCREW	(2)			
729A		SCREW	(2)			
730		NUT	(2)			
98	◆	FULL SET OF OUTBOARD BEARING SCREWS	1	AUX312886		
410		SCREW	(12)			
636		STIRRUP SHAFTSEAL HOLDER	(2)			
723		SCREW	(4)			
726		SCREW	(4)			
729		SCREW	(2)			
99	◆	SET OF SEALS - STANDARD PUMP - CVT	1	AUX314108	■	
99	◆	SET OF SEALS - STANDARD PUMP - FKM	1	AUX314107	■	
99	◆	SET OF SEALS - STANDARD PUMP - FKM HT	1	AUX314110	■	
403		O-RING	(2)			●
602		SEAL	(1)			●
602A		SEAL	(1)			●
621		SEAL	(1)			
707		LIP SEAL	(1)			●
716		LIP SEAL	(1)			●
727		SEAL	(1)			●
99	◆	SET OF JACKETED PUMP SEALS - CVT	1	AUX314380	■	
99	◆	SET OF JACKETED PUMP SEALS - FKM	1	AUX314378	■	
99	◆	SET OF JACKETED PUMP SEALS - FKM HT	1	AUX312885	■	
403		O-RING	(2)			●
537		CIRCLIPS	(1)			
707		LIP SEAL	(1)			●
716		LIP SEAL	(1)			●
101	◆	BODY NO CHROMIUM PLATING	1	AUX211669		
301	◆	12 VANES ROTOR	1	AUX211670		
301	◆	6 VANES ROTOR	1	AUX220313		
309	◆	SET OF 12 VANES TVP	1	AUX307677	■	
309	◆	SET OF 12 VANES TVP WITH HOLES	1	AUX307678	■	
309	◆	SET OF 6 VANES TVP	1	AUX313354	■	
309	◆	SET OF 6 VANES TVP WITH HOLES	1	AUX313377	■	
317		VANE	(6/12)			●
325	◆	SET OF 3 PUSHRODS	1	AUX312879	■	
325	◆	SET OF 6 PUSHRODS	1	AUX307202	■	
318		PUSHROD	(3/6)			●
400	◆	FRONT COVER COMPLETE - STANDARD VERSION	1	AUX314279		
400	◆	FRONT COVER COMPLETE - STANDARD VERSION - ENLARGED CLEARANCE	1	AUX314292		
400	◆	FRONT COVER COMPLETE - HT VERSION	1	AUX314111		
400	◆	FRONT COVER COMPLETE - HT VERSION - ENLARGED CLEARANCE	1	AUX314112		
401A		FRONT COVER	(1)			
401B		FRONT COVER	(1)			
407		BUSHING	(2)			●
410		SCREW	(12)			

P60 BA

* 1, 2, 4... : Quantity in equipment - (1), (2), (4)... : Quantity in kit

Item	Available	Description	Qty*	Ref.	Maintenance kit	Wear part
400E	◆	FRONT COVER FOR JACKETED PUMP WITH :	1	AUX314295		
400E	◆	-MECHANICAL SEAL	1	AUX314277		
400E	◆	-MECHANICAL SEAL-HT	1	AUX314293		
400E	◆	-MECHANICAL SEAL-ENLARGED CLEARANCE	1	AUX315633		
400E	◆	-MECHANICAL SEAL-HT-ENLARGED CLEARANCE	1	AUX314296		
400E	◆	-PACKING	1	AUX314278		
400E	◆	-PACKING-HT	1	AUX314294		
400E	◆	-PACKING-ENLARGED CLEARANCE	1	AUX312880		
400E	◆	-PACKING-HT-ENLARGED CLEARANCE	1			
401A		FRONT COVER	(1)			
401B		FRONT COVER	(1)			
407		BUSHING	(2)			●
410		SCREW	(12)			
438		SCREW	(1)			
439		SEAL	(1)			
1003		PLUG (FOR HEATING JACKET)	(3)			
409	◆	SET OF FRONT COVER O-RINGS - CVT	1	AUX312096	■	
409	◆	SET OF FRONT COVER O-RINGS - FKM	1	AUX304382	■	
409	◆	SET OF FRONT COVER O-RINGS - FKM HT	1	AUX305081	■	
403		O-RING	(2)			●
420	◆	SET OF CARBON BUSHINGS - STANDARD VERSION - ENLARGED CLEARANCE	1	AUX312887	■	
420	◆	SET OF CARBON BUSHINGS - STANDARD VERSION	1	AUX314113	■	
420	◆	SET OF CARBON BUSHINGS - HT VERSION	1	AUX307801	■	
420	◆	SET OF CARBON BUSHINGS - HT VERSION - ENLARGED CLEARANCE	1	AUX312464	■	
407		BUSHING	(2)			●
500	◆	SHAFT COMPLETE P60 BA	1	AUX319605		
501		SHAFT	(1)			
599	◆	SET OF KEYS - PUMP WITH PUSHRODS	1	AUX307092		
508		KEY	(1)			
536		KEY	(2)			
537		CIRCLIPS	(1)			
600	◆	MECHANICAL SEAL - BLOCDIR LRB VT	1	AUX300648	■	
600	◆	MECHANICAL SEAL - BLOCDIR LRB HT	1	AUX307135	■	
600	◆	MECHANICAL SEAL - BLOCDIR CRI CVT	1	AUX307549	■	
600	◆	MECHANICAL SEAL - BLOCDIR CRI VT	1	AUX300639	■	
600	◆	MECHANICAL SEAL - BLOCDIR HR CVT	1	AUX307550	■	
600	◆	MECHANICAL SEAL - BLOCDIR HR VT	1	AUX303333	■	
600	◆	MECHANICAL SEAL - BLOCDIR HR HT	1	AUX307136	■	
610		STATIONARY SEAL FACE COMPLETE	(1)			
604		STATIONARY SEAL FACE	(1)			●
605		SEAL	(1)			●
619		BUSHING FOR FEP-FKM MECHANICAL SEAL	(1)			
697		ROTATING PART	(1)			
612		SEAL HOUSING	(1)			●
613		SEAL	(1)			●
614		SPRING BASE	(1)			
615		SPRING	(1)			
616		CAGE	(1)			
600B	◆	SHAFT SEALS STANDARDIZED IN ACCORDANCE M7N21_35 C CSSF	1	AUX311808	■	●
600B	◆	SHAFT SEALS STANDARDIZED IN ACCORDANCE M7N21_35 C CSSP	1	AUX310386	■	●
600B	◆	SHAFT SEALS STANDARDIZED IN ACCORDANCE M7N21_35 C CSCSF	1	AUX312022	■	●
600B	◆	SHAFT SEALS STANDARDIZED IN ACCORDANCE M7N21_35 C CSCSP	1	AUX311480	■	●
600C	◆	KIT 2 MECHANICAL SEAL AUX311808 M7N21_35 C 2CSSF	1	AUX315939	■	●
600C	◆	KIT 2 MECHANICAL SEAL AUX310386 M7N21_35 C 2CSSP	1	AUX315940	■	●
600C	◆	KIT 2 MECHANICAL SEAL AUX312022 M7N21_35 C 2CSCSF	1	AUX315941	■	●
600C	◆	KIT 2 MECHANICAL SEAL AUX311480 M7N21_35 C 2CSCSP	1	AUX315942	■	●

LRB : Bronze/Stainless steel CRI : Carbon/Stainless steel HR : Tungsten carbide/Tungsten carbide

P60 BA

* 1, 2, 4... : Quantity in equipment - (1), (2), (4)... : Quantity in kit

Item	Available	Description	Qty*	Ref.	Maintenance kit	Wear part
609A	◆	BLOCDIR SHAFTSEAL HOLDER COMPLETE - CVT - STANDARD PUMP	1	AUX312375		
609A	◆	BLOCDIR SHAFTSEAL HOLDER COMPLETE - FKM - STANDARD PUMP	1	AUX307778		
609A	◆	BLOCDIR SHAFTSEAL HOLDER COMPLETE - FKM HT - STANDARD PUMP	1	AUX307779		
511		CIRCLIPS	(1)			
601		SHAFTSEAL HOLDER	(1)			
602		SEAL	(1)			●
602A		SEAL	(1)			●
627		PIN	(1)			
641		DRIVER	(1)			
642		SCREW	(2)			
729		SCREW	(2)			
730		NUT	(2)			
609B	◆	PGSN SHAFTSEAL HOLDER COMPLETE - CVT - STANDARD PUMP	1	AUX312448		
609B	◆	PGSN SHAFTSEAL HOLDER COMPLETE - FKM HT - STANDARD PUMP	1	AUX307812		
609B	◆	PGSN SHAFTSEAL HOLDER COMPLETE - FKM - STANDARD PUMP	1	AUX307811		
601		SHAFTSEAL HOLDER	(1)			
602		SEAL	(1)			●
602A		SEAL	(1)			●
627		PIN	(1)			
729		SCREW	(2)			
730		NUT	(2)			
609C	◆	PGDN SHAFTSEAL HOLDER COMPLETE - CVT - STANDARD PUMP	1	AUX312449		
609C	◆	PGDN SHAFTSEAL HOLDER COMPLETE - FKM - STANDARD PUMP	1	AUX307860		
609C	◆	PGDN SHAFTSEAL HOLDER COMPLETE - FKM HT - STANDARD PUMP	1	AUX307861		
601		SHAFTSEAL HOLDER	(1)			
602A		SEAL	(1)			●
603		SHAFTSEAL SEAT	(1)			
608		PIN	(1)			
621		SEAL	(1)			
627		PIN	(2)			
729		SCREW	(2)			
730		NUT	(2)			
609D	◆	SET PTFE GLAND PACKING - CVT - STANDARD PUMP	1	AUX312479		
609D	◆	SET PTFE GLAND PACKING - FKM HT - STANDARD PUMP	1	AUX312478		
609D	◆	SET PTFE GLAND PACKING - FKM - STANDARD PUMP	1	AUX309693		
511		CIRCLIPS	(1)			
603		SHAFTSEAL SEAT	(1)			
624		PIN	(2)			
625		JACKET	(1)			●
626		SEAL	(2)			●
628		SCREW	(3)			
629		PACKING	(5)			●
631		RAM	(1)			
632		CIRCLIPS	(1)			
636		STIRRUP SHAFTSEAL HOLDER	(2)			
729A		SCREW	(2)			
730		NUT	(2)			

P60 BA

* 1, 2, 4... : Quantity in equipment - (1), (2), (4)... : Quantity in kit

Item	Available	Description	Qty*	Ref.	Maintenance kit	Wear part
609E	◆	BLOCDIR SHAFTSEAL HOLDER COMPLETE - CVT - JACKETED PUMP	1	AUX314298		
609E	◆	BLOCDIR SHAFTSEAL HOLDER COMPLETE - FKM - JACKETED PUMP	1	AUX314297		
609E	◆	BLOCDIR SHAFTSEAL HOLDER COMPLETE - FKM HT - JACKETED PUMP	1	AUX313460		
511		CIRCLIPS	(1)			
512		SPACER	(1)			
601		SHAFTSEAL HOLDER	(1)			
622		JACKET	(1)			●
623		SEAL	(1)			●
627		PIN	(1)			
641		DRIVER	(1)			
642		SCREW	(2)			
650		PLUG	(2)			
651		PLUG	(2)			
729		SCREW	(2)			
609F	◆	PGSN SHAFTSEAL HOLDER COMPLETE - CVT - JACKETED PUMP	1	AUX314304		
609F	◆	PGSN SHAFTSEAL HOLDER COMPLETE - FKM - JACKETED PUMP	1	AUX314303		
609F	◆	PGSN SHAFTSEAL HOLDER COMPLETE - FKM HT - JACKETED PUMP	1	AUX312888		
511		CIRCLIPS	(1)			
512		SPACER	(1)			
601		SHAFTSEAL HOLDER	(1)			
602A		SEAL	(1)			●
622		JACKET	(1)			●
623		SEAL	(1)			●
627		PIN	(1)			
650		PLUG	(2)			
651		PLUG	(2)			
729		SCREW	(2)			
609G	◆	PGDN SHAFTSEAL HOLDER COMPLETE - CVT - JACKETED PUMP	1	AUX314307		
609G	◆	PGDN SHAFTSEAL HOLDER COMPLETE - FKM - JACKETED PUMP	1	AUX314306		
609G	◆	PGDN SHAFTSEAL HOLDER COMPLETE - FKM HT - JACKETED PUMP	1	AUX312889		
601		SHAFTSEAL HOLDER	(1)			
602A		SEAL	(1)			●
622		JACKET	(1)			●
623		SEAL	(1)			●
627		PIN	(2)			
638		SEAL	(1)			●
650		PLUG	(2)			
651		PLUG	(2)			
729		SCREW	(2)			
609H	◆	SET PTFE GLAND PACKING - FKM - CVT - FKM HT - JACKETED PUMP	1	AUX312771		
624		PIN	(2)			
629		PACKING	(5)			●
631		RAM	(1)			
636		STIRRUP SHAFTSEAL HOLDER	(2)			
650		PLUG	(2)			
651		PLUG	(2)			
729A		SCREW	(2)			
640	◆	RESERVOIR GREASE COMPLETE	1	AUX307099		
643		SNIFTER VALVE	(1)			
644		GREASE NIPPLE	(1)			
645		COVER	(1)			
646		SEAL	(1)			●
647		LIP SEAL	(1)			●
704	◆	BALL BEARING KIT	1	AUX307792		
537		CIRCLIPS	(1)			
703		BALL BEARING	(1)			●
731		WASHER	(2)			

P60 BA

* 1, 2, 4... : Quantity in equipment - (1), (2), (4)... : Quantity in kit

Item	Available	Description	Qty*	Ref.	Maintenance kit	Wear part
715	◆	SET OF SEALS + DIVERSE FOR OUTBOARD BEARING - STANDARD PUMP :	1	AUX312339	■	
715	◆	- CVT	1	AUX307100	■	
715	◆	- FKM	1	AUX307165	■	
		- FKM HT	1			
511		CIRCLIPS	(1)			
537		CIRCLIPS	(1)			
602		SEAL	(1)			●
602A		SEAL	(1)			●
608		PIN	(1)			
621		SEAL	(1)			
627		PIN	(1)			
646		SEAL	(1)			●
647		LIP SEAL	(1)			●
707		LIP SEAL	(1)			●
716		LIP SEAL	(1)			●
727		SEAL	(1)			●
715	◆	SET OF SEALS + DIVERSE FOR OUTBOARD BEARING - JACKETED PUMP :	1	AUX314384	■	
715	◆	- CVT	1	AUX314382	■	
715	◆	- FKM	1	AUX314381	■	
		- FKM HT	1			
511		CIRCLIPS	(1)			
537		CIRCLIPS	(1)			
602A		SEAL	(1)			●
623		SEAL	(1)			●
627		PIN	(2)			
638		SEAL	(1)			●
646		SEAL	(1)			●
647		LIP SEAL	(1)			●
707		LIP SEAL	(1)			●
716		LIP SEAL	(1)			●
720	◆	OUTBOARD BEARING, COMPLETE - STANDARD PUMP :	1	AUX312452	■	
720	◆	- CVT - PGDN MECH SEAL	1	AUX307863	■	
720	◆	- FKM - PGDN MECH SEAL	1	AUX307864	■	
720	◆	- FKM HT - PGDN MECH SEAL	1	AUX307706	■	
720	◆	- FKM HT - EXCEPT PGDN MECH SEALS	1	AUX312338	■	
720	◆	- CVT - EXCEPT PGDN MECH SEALS	1	AUX307131	■	
720	◆	- FKM - EXCEPT PGDN MECH SEALS	1			
703		BALL BEARING	(1)			●
716		LIP SEAL	(1)			●
725		OUTBOARD BEARING	(1)			
726		SCREW	(3)			
727		SEAL	(1)			●
731		WASHER	(2)			
720	◆	OUTBOARD BEARING, COMPLETE FOR JACKETED PUMP	1	AUX312884	■	
703		BALL BEARING	(1)			●
716		LIP SEAL	(1)			●
725		OUTBOARD BEARING	(1)			
726		SCREW	(4)			
731		WASHER	(2)			
740	◆	COVER COMPLETE	1	AUX307702		
705		BEARING COVER	(1)			
707		LIP SEAL	(1)			●
708		GREASE NIPPLE	(1)			
723		SCREW	(4)			

P60 BA

* 1, 2, 4... : Quantity in equipment - (1), (2), (4)... : Quantity in kit

Item	Available	Description	Qty*	Ref.	Maintenance kit	Wear part
Single bypass						
(without Spring 824 and without Complete plug 866) :						
820	◆	SINGLE BYPASS, COMPLETE (WITHOUT SPRING) - CVT	1	AUX319757		
820	◆	SINGLE BYPASS, COMPLETE (WITHOUT SPRING) - FKM	1	AUX319758		
820	◆	SINGLE BYPASS, COMPLETE (WITHOUT SPRING) - FKM HT	1	AUX319759		
115		BYPASS ORIENTATION PLATE	(1)			
116		PIN	(2)			
801		BYPASS BODY	(1)			
823	◆	VALVE	1	AUX212426		
827		INTERNAL RELIEF VALVE CAP	(1)			
858	◆	SEAL FKM HT	2	AUX200818		●
858	◆	SEAL FEP-FKM	2	AUX211442		●
858	◆	SEAL FKM	2	AUX200912		●
859		SCREW	(2)			
894		WASHER	(2)			
898	◆	PRESSURE SCREW ASSEMBLY - CVT	1	AUX319751		
898	◆	PRESSURE SCREW ASSEMBLY - FKM HT	1	AUX319752		
898	◆	PRESSURE SCREW ASSEMBLY - FKM	1	AUX319753		
807		SEAL	(1)			●
825		SPRING BASE	(1)			
826		ADJUSTING SCREW	(1)			
826A		WASHER	(1)			
831		PIN	(1)			
834		NUT	(1)			
835		NUT	(1)			
837		SEAL	(1)			●
856		SCREW	(3)			
824	◆	3 BAR SPRING	1	AUX216012		
824	◆	6 BAR SPRING	1	AUX216013		
824	◆	12 BAR SPRING	1	AUX219067		
866	◆	COMPLETE PLUG	1	AUX307734	■	●
850		SEAL	(1)			
857		PLUG	(1)			
899	◆	SET OF SEALS + DIVERSE FOR BYPASS - CVT	1	AUX312142	■	●
899	◆	SET OF SEALS + DIVERSE FOR BYPASS - FKM	1	AUX307238	■	●
899	◆	SET OF SEALS + DIVERSE FOR BYPASS - FKM HT	1	AUX307239	■	●
807		SEAL	(1)			●
831		PIN	(1)			
834		NUT	(1)			
835		NUT	(1)			
837		SEAL	(1)			●
850		SEAL	(1)			●
856		SCREW	(3)			
858	◆	SEAL FKM HT	2	AUX200818		●
858	◆	SEAL FEP-FKM	2	AUX211442		●
858	◆	SEAL FKM	2	AUX200912		●
859		SCREW	(2)			

P60 BA

* 1, 2, 4... : Quantity in equipment - (1), (2), (4)... : Quantity in kit

Item	Available	Description	Qty*	Ref.	Maintenance kit	Wear part
Double bypass						
(without Spring 824 and without Complete plug 866) :						
820A	◆	DOUBLE BYPASS, COMPLETE (WITHOUT SPRING) - CVT	1	AUX319760		
820A	◆	DOUBLE BYPASS, COMPLETE (WITHOUT SPRING) - FKM	1	AUX319761		
820A	◆	DOUBLE BYPASS, COMPLETE (WITHOUT SPRING) - FKM HT	1	AUX319762		
108		VALVE SEAT	(2)			
115		BYPASS ORIENTATION PLATE	(1)			
116		PIN	(2)			
125		SCREW	(2)			
126		SEAL	(2)			
801		BYPASS BODY	(1)			
823	◆	VALVE	2	AUX212426		
827		INTERNAL RELIEF VALVE CAP	(2)			
858	◆	SEAL FKM HT	2	AUX200818		●
858	◆	SEAL FEP-FKM	2	AUX211442		●
858	◆	SEAL FKM	2	AUX200912		●
859		SCREW	(2)			
894		WASHER	(2)			
898	◆	PRESSURE SCREW ASSEMBLY - CVT	2	AUX319751		
898	◆	PRESSURE SCREW ASSEMBLY - FKM HT	2	AUX319752		
898	◆	PRESSURE SCREW ASSEMBLY - FKM	2	AUX319753		
807		SEAL	(1)			●
825		SPRING BASE	(1)			
826		ADJUSTING SCREW	(1)			
826A		WASHER	(1)			
831		PIN	(1)			
834		NUT	(1)			
835		NUT	(1)			
837		SEAL	(1)			●
856		SCREW	(3)			
824	◆	3 BAR SPRING	2	AUX216012		
824	◆	6 BAR SPRING	2	AUX216013		
824	◆	12 BAR SPRING	2	AUX219067		
866	◆	COMPLETE PLUG	2	AUX307734	■	●
850		SEAL	(1)			
857		PLUG	(1)			
899	◆	SET OF SEALS + DIVERSE FOR BYPASS - CVT	2	AUX312142	■	●
899	◆	SET OF SEALS + DIVERSE FOR BYPASS - FKM	2	AUX307238	■	●
899	◆	SET OF SEALS + DIVERSE FOR BYPASS - FKM HT	2	AUX307239	■	●
807		SEAL	(1)			●
831		PIN	(1)			
834		NUT	(1)			
835		NUT	(1)			
837		SEAL	(1)			●
850		SEAL	(1)			●
856		SCREW	(3)			
858	◆	SEAL FKM HT	2	AUX200818		●
858	◆	SEAL FEP-FKM	2	AUX211442		●
858	◆	SEAL FKM	2	AUX200912		●
859		SCREW	(2)			

P60 BA

* 1, 2, 4... : Quantity in equipment - (1), (2), (4)... : Quantity in kit

Item	Available	Description	Qty*	Ref.	Maintenance kit	Wear part
868	◆	COMPLETE STIRRUP - FKM HT	1	AUX308811		
868	◆	COMPLETE STIRRUP - CVT	1	AUX312467		
868	◆	COMPLETE STIRRUP - FKM	1	AUX308810		
858	◆	SEAL FKM HT	2	AUX200818		●
858	◆	SEAL FEP-FKM	2	AUX211442		●
858	◆	SEAL FKM	2	AUX200912		●
859A		WASHER	(1)			
859B		SCREW	(1)			
865		PLUG	(2)			
867		STIRRUP	(1)			