

## **PARTS LIST**

### **PUMP**

### **SLP25 i**

Keep this parts lists with Installation, Operation and Maintenance Instructions.

To order the required spare parts, indicate the desired Reference(s).

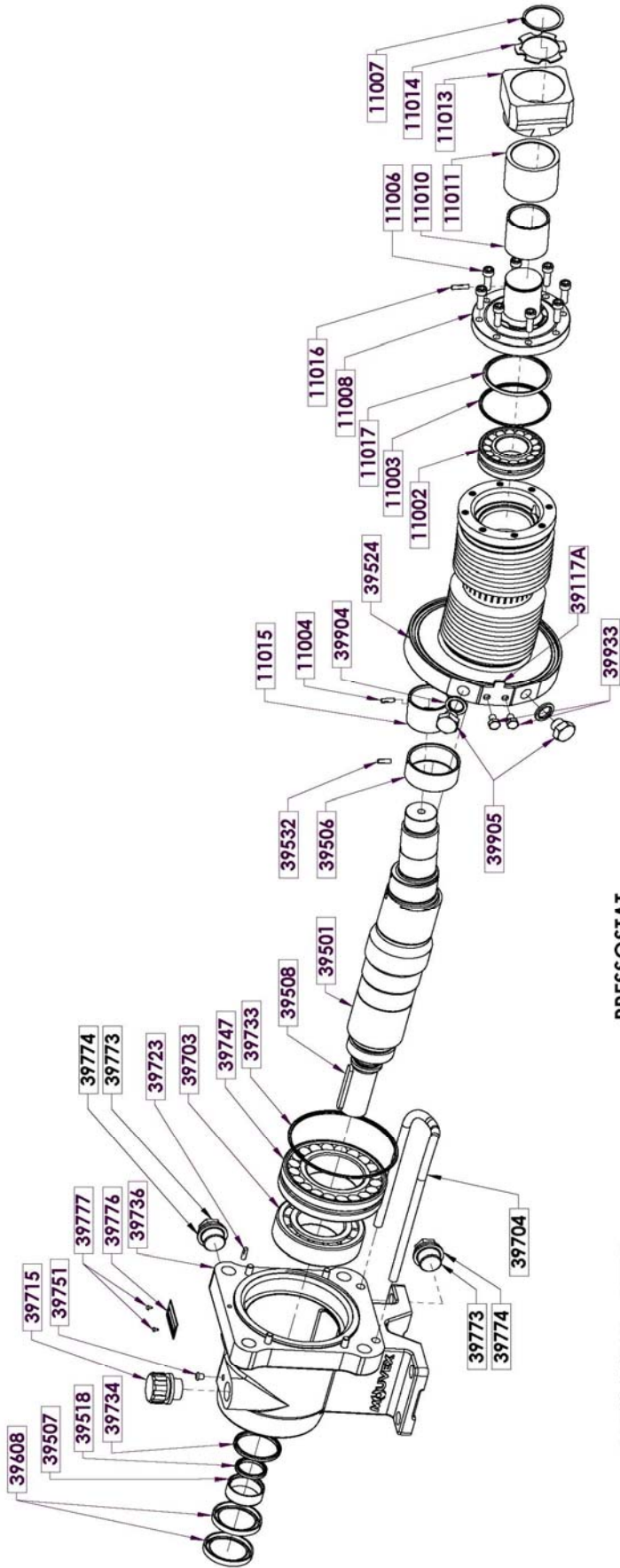
- ◆ Sets of parts or parts available to order.

CVT : FEP encapsulated FKM

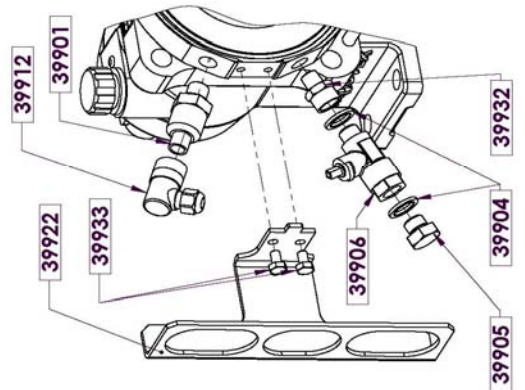
# SLP25 i



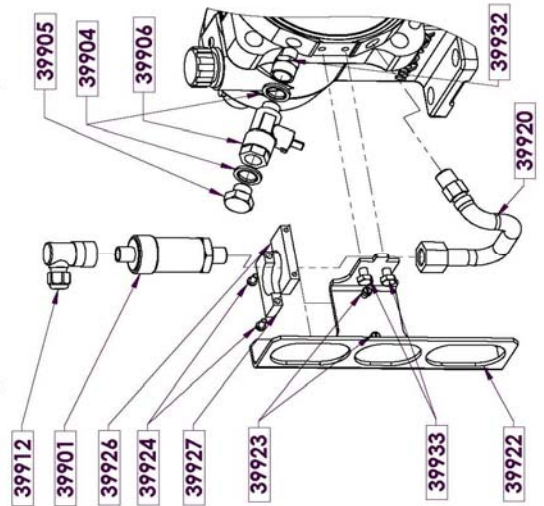
# Transmission SL MECH D 135



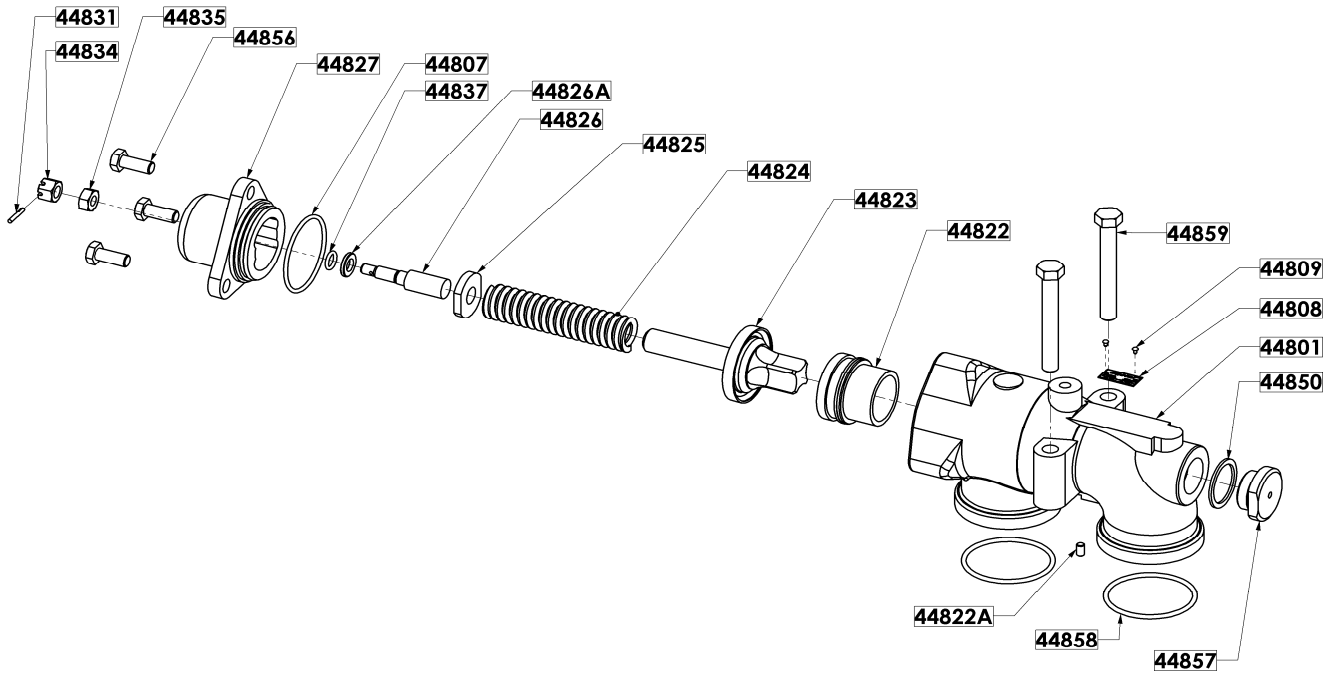
PRESSOSTAT  
(PRESSURE SWITCH)



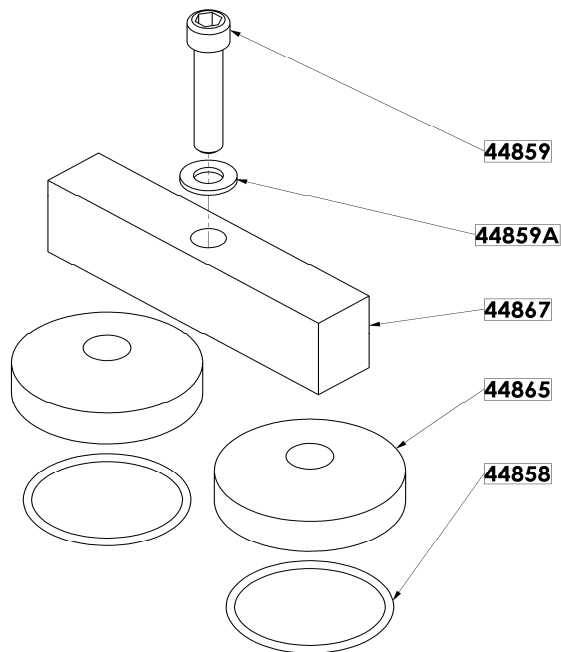
PRESSOSTAT - ATEX  
(PRESSURE SWITCH - ATEX)



## Bypass



## Stirrup



# SLP25 i

\* 1, 2, 4... : Quantity in equipment - (1), (2), (4)... : Quantity in kit

Item	Available	Description	Qty*	Ref.	Maintenance kit	Wear part
11097 11006	◆	FULL SET OF SQUARE DRIVER HUB SCREWS SCREW	1 (8)	AUX315336		
11098 11114 11114A 11115 11116 21013 21014 44410 44411	◆	FULL SET OF PUMP SCREWS SCREW SCREW WASHER SCREW SCREW NUT SCREW SCREW	1 (4) (4) (4) (16) (4) (4) (10) (2)	AUX318963		
11099 11007 11008 11010 11011 11013 11014 11016	◆  ◆	SQUARE DRIVER HUB AND SQUARE BUSHING KIT CIRCLIPS SQUARE DRIVER HUB BUSHING BUSHING SQUARE BUSHING FLANGE PIN	1 (1) 1 (1) (1) (1) (1) (1)	AUX315037  AUX226822		
11100 11101 11107 11118 11120 11122 11123 11124	◆	SLP25 ADAPTATION KIT MAIN BODY BUSHING FLANGE ADAPTATION BASE PIN CONNECTING TUBE PIN	1 (1) (1) (1) (1) (1) (1) (1)	AUX318959		
11100 11101 11107 11120 11122 11123 11124 11125 11126 11127 11130 11131	◆	SLP25 ADAPTATION KIT _ SUCTION RIGHT_LEFT MAIN BODY BUSHING ADAPTATION BASE PIN CONNECTING TUBE PIN FLANGE SCREW NUT ADAPTATION GASKET	1 (1) (1) (1) (1) (1) (1) (1) (1) (4) (4) (1) (1)	AUX318986		
11400 44401 44407 44408 44423	◆	COMPLETE FRONT COVER FRONT COVER BUSHING FRONT COVER INSERT PIN	1 (1) (1) (1) (1)	AUX315261		
39009 39507 39518 39608 39715 39774	◆	GASKETS_BUSHING_PLUG KIT FOR SLP25 BEARING RING SEAL LIP SEAL BREATHER SEAL	1 (1) (1) (2) (1) (2)	AUX318992		
39596 39596 39596	◆ ◆ ◆	COMPLETE TRANSMISSION : WITHOUT BELLOWS MONITORING SYSTEM WITH PRESSURE SWITCH BELLOWS MONITORING SYSTEM WITH ATEX PRESSURE SWITCH BELLOWS MONITORING SYSTEM	1 1 1	AUX318984 AUX318958 AUX318982	■ ■ ■	● ● ●

# SLP25 i

\* 1, 2, 4... : Quantity in equipment - (1), (2), (4)... : Quantity in kit

Item	Available	Description	Qty*	Ref.	Maintenance kit	Wear part
<b>44099</b>	◆	<b>SET OF SEALS FOR PUMP - CVT</b>	<b>1</b>	<b>AUX319079</b>	■	●
11003		SEAL	(1)			
11017		SEAL	(1)			
11104		SEAL	(1)			
11117		SEAL	(2)			
21012		GASKET	(1)			
39113		SEAL	(1)			
44403		SEAL	(2)			
44714		SEAL FEP-FKM	(1)			
<b>44101</b>	◆	<b>BODY</b>	<b>1</b>	<b>AUX214330</b>		
<b>44301</b>	◆	<b>ROTOR</b>	<b>1</b>	<b>AUX214331</b>		
<b>44309</b>	◆	<b>SET OF 6 VANES TVP</b>	<b>1</b>	<b>AUX315257</b>	■	●
<b>44309</b>	◆	<b>SET OF 6 VANES TVP WITH HOLES</b>	<b>1</b>	<b>AUX315258</b>	■	●
44317		VANE	(6)			
<b>44325</b>	◆	<b>SET OF 3 PUSHRODS</b>	<b>1</b>	<b>AUX314086</b>	■	
44318		PUSHROD	(3)			
<b>44420</b>	◆	<b>SET OF CARBON BUSHINGS</b>	<b>1</b>	<b>AUX315335</b>	■	●
11011		BUSHING	(1)			
11107		BUSHING	(1)			
44407		BUSHING	(1)			
<b>44424</b>	◆	<b>SET OF CARBON DISCS SLP25</b>	<b>1</b>	<b>AUX315263</b>	■	●
44422		FRONT COVER DISC	(2)			
<b>44500</b>	◆	<b>DRIVE_SHAFT COMPLETE</b>	<b>1</b>	<b>AUX315265</b>		
11105		DRIVER	(1)			
11108		BUSHING	(1)			
11109		PIN	(1)			
11110		CIRCLIPS	(1)			
11112		KEY	(1)			
11119		CIRCLIPS	(1)			
44501		SHAFT	(1)			
44536		KEY	(2)			
<b>44712</b>	◆	<b>FRONT COVER COVER</b>	<b>1</b>	<b>AUX214336</b>		

# SLP25 i

\* 1, 2, 4... : Quantity in equipment - (1), (2), (4)... : Quantity in kit

Item	Available	Description	Qty*	Ref.	Maintenance kit	Wear part
		<b>Bypass (without Spring 44824 and without Complete plug 44866) :</b>				
<b>44820</b>	◆	<b>SINGLE BYPASS, COMPLETE (WITHOUT SPRING) - CVT</b>	<b>1</b>	<b>AUX315268</b>		
44108		VALVE SEAT	(1)			
44115		BYPASS ORIENTATION PLATE	(1)			
44116		PIN	(2)			
44125		SCREW	(1)			
44801		BYPASS BODY	(1)			
44823		VALVE	(1)			
44826A		WASHER	(1)			
44827	◆	BYPASS CAP	1	AUX214357		
44858	◆	SEAL FEP-FKM	2	AUX215301		●
44859		SCREW	(2)			
44898		PRESSURE SCREW ASSEMBLY - CVT	(1)			
44807		SEAL	(1)			●
44825		SPRING BASE	(1)			
44826		ADJUSTING SCREW	(1)			
44831		PIN	(1)			
44834		NUT	(1)			
44835		NUT	(1)			
44837		SEAL	(1)			●
44856		SCREW	(3)			
<b>44824</b>	◆	<b>2_4 BAR SPRING</b>	<b>1</b>	<b>AUX214367</b>		
<b>44824</b>	◆	<b>4_7 BAR SPRING</b>	<b>1</b>	<b>AUX215298</b>		
<b>44824</b>	◆	<b>7_12 BAR SPRING</b>	<b>1</b>	<b>AUX215299</b>		
<b>44866</b>	◆	<b>COMPLETE PLUG</b>	<b>1</b>	<b>AUX315270</b>		
44850		SEAL	(1)			●
44857		PLUG	(1)			
<b>44899</b>	◆	<b>SET OF BYPASS SEALS - CVT</b>	<b>1</b>	<b>AUX315333</b>		
44807		SEAL	(1)			●
44837		SEAL	(1)			●
44850		SEAL	(1)			●
44858	◆	SEAL FEP-FKM	2	AUX215301		●
<b>44868</b>	◆	<b>COMPLETE STIRRUP - CVT</b>	<b>1</b>	<b>AUX318990</b>		
44858	◆	SEAL FEP-FKM	2	AUX215301		●
44859		SCREW	(1)			
44859A		WASHER	(1)			
44865		PLUG	(2)			
44867		STIRRUP	(1)			
<b>44899</b>	◆	<b>SET OF SEALS FOR STIRRUP - CVT</b>	<b>1</b>	<b>AUX315334</b>		
44858	◆	SEAL FEP-FKM	2	AUX215301		●