

PARTS LIST
PUMPS
SLC12 i - SLC18 i

Keep this parts lists with Installation, Operation and Maintenance Instructions.

To order the required spare parts, indicate the desired Reference(s).

- ◆ Sets of parts or parts available to order.

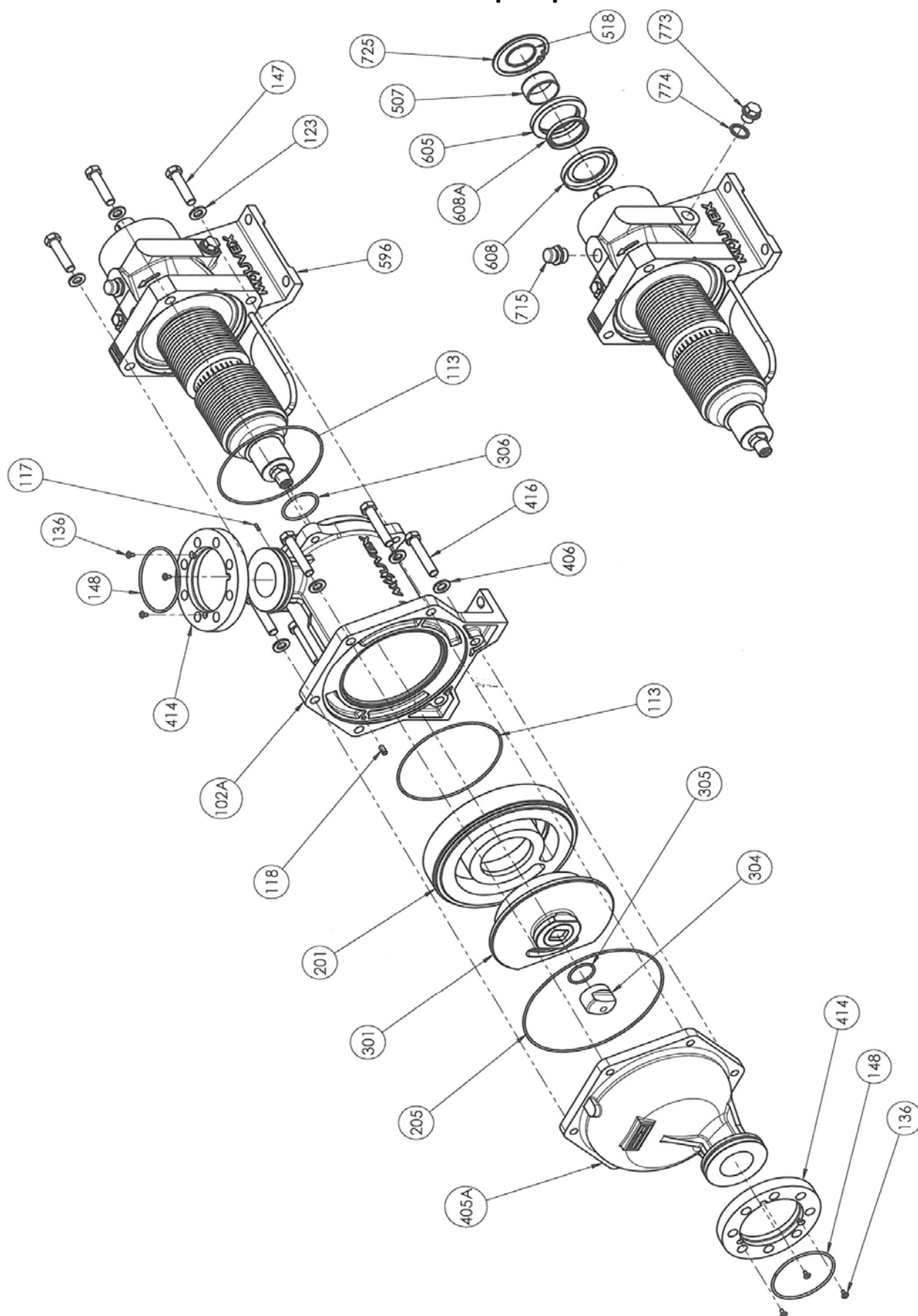
CVT : FEP encapsulated FKM

Z.I. la Plaine des Isles - 2 rue des Caillottes F-89000 AUXERRE - France

Tel : +33 (0)3 86 49 86 30 • Fax : +33 (0)3 86 49 87 17

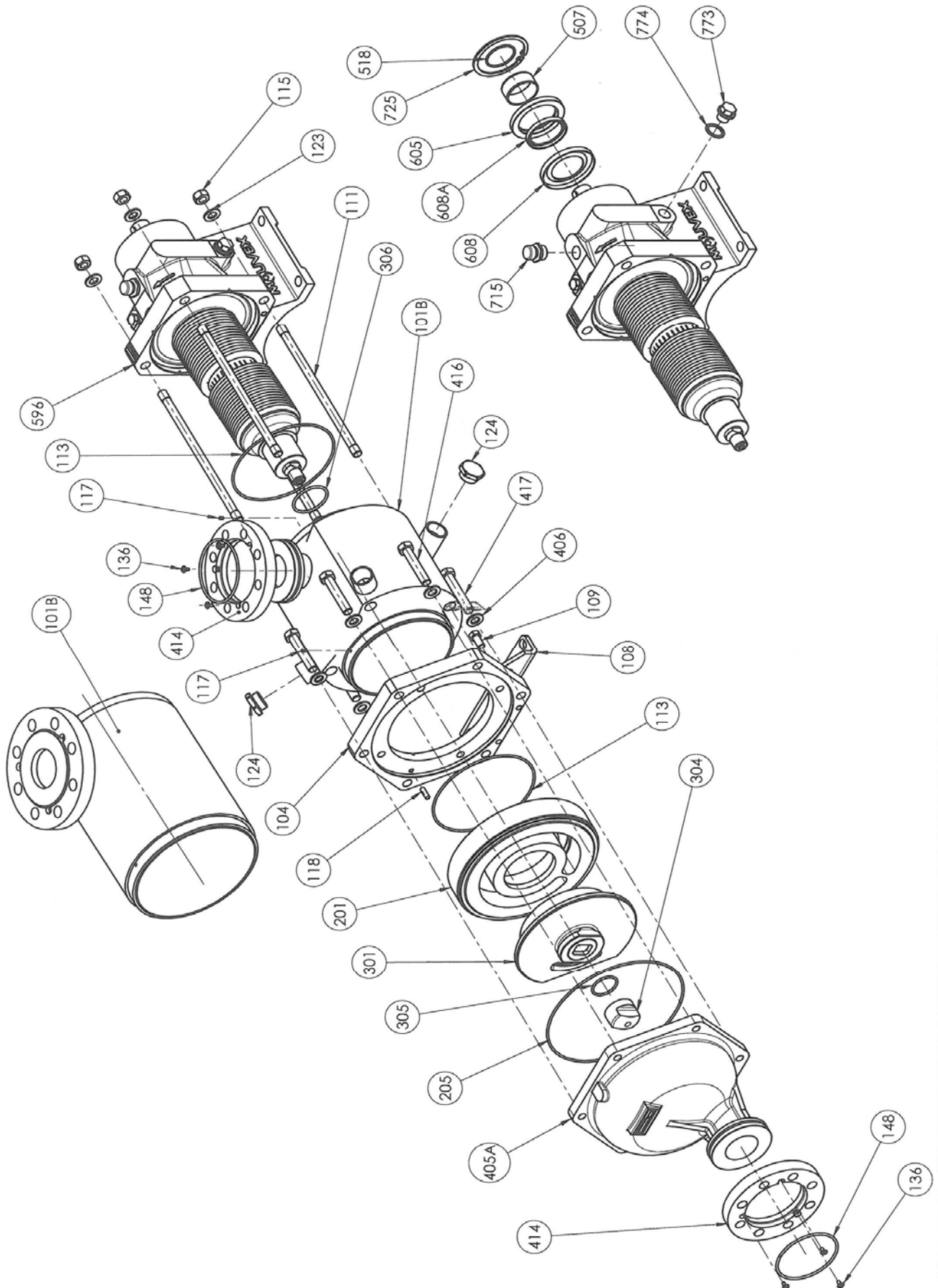
contact.mouvex@psgdover.com • www.mouvex.com

SLC12 i - SLC18 i Standard pump



SLC12 i - SLC18 i

Jacketed pump / turn able manifold



SLC12 i

* 1, 2, 4... : Quantity in equipment - (1), (2), (4)... : Quantity in kit

Item	Available	Description	Qty*	Ref.	Maintenance kit	Wear part
8	◆	PLUGS + BREATHER	1	AUX314259		
715	◆	SNIFTER VALVE	1	AUX220281		●
771		SEAL	(1)			●
772		PLUG	(1)			
9	◆	BEARING GASKETS _ RING SET	1	AUX312855		
507		SEAL RING	(1)			●
518		O-RING	(1)			●
605		RING	(1)			●
608		LIP SEAL	(1)			●
608A		LIP SEAL	(1)			●
725		CIRCLIPS	(1)			
100B	◆	INLET MANIFOLD WITHOUT FLANGE SLC 12_18 - STANDARD	1	AUX317096		
102A		MAIN BODY	(1)			
117		PIN	(1)			
118		PIN	(1)			
100	◆	INLET MANIFOLD WITHOUT FLANGE SLC 12_18 - JACKET	1	AUX317687		
101B		MAIN BODY	(1)			
104		MAIN BODY FLANGE	(1)			
108		SUPPORT FOOT	(1)			
109		SCREW	(2)			
117		PIN	(2)			
118		PIN	(1)			
124		PLUG	(2)			
100C	◆	INLET MANIFOLD WITHOUT FLANGE SLC 12_18 - TURN ABLE MANIFOLD	1	AUX317669		
101B		MAIN BODY	(1)			
104		MAIN BODY FLANGE	(1)			
108		SUPPORT FOOT	(1)			
109		SCREW	(2)			
117		PIN	(2)			
118		PIN	(1)			
410	◆	KIT FLANGES MAIN BODY_FRONT COVER PN16 SLC 12_18	1	AUX317101		
410	◆	KIT FLANGES MAIN BODY_FRONT COVER PN20 SLC 12_18	1	AUX317102		
136		SCREW	(6)			
148		ROD	(2)			
414		FLANGE	(2)			
119	◆	SCREWS SET SLC 12 - STANDARD PUMP	1	AUX317097		
123		WASHER	(4)			
147		SCREW	(4)			
406		WASHER	(6)			
416		SCREW	(6)			
119A	◆	SCREWS SET SLC 12 - JACKETED PUMP_TURN ABLE MANIFOLD	1	AUX317103		
111		STUD	(4)			
115		NUT	(4)			
123		WASHER	(4)			
406		WASHER	(6)			
416		SCREW	(4)			
417		SCREW	(2)			
119B	◆	SCREWS SET SLC 12 - JACKETED PUMP_TURN ABLE MANIFOLD	1	AUX317103		
111		STUD	(4)			
115		NUT	(4)			
123		WASHER	(4)			
406		WASHER	(6)			
416		SCREW	(4)			
417		SCREW	(2)			

SLC12 i

* 1, 2, 4... : Quantity in equipment - (1), (2), (4)... : Quantity in kit

Item	Available	Description	Qty*	Ref.	Maintenance kit	Wear part
200	◆	SET CYLINDER_PISTON	1	AUX312865	■	
201		CYLINDER	(1)			●
301		PISTON	(1)			●
304	◆	PISTON NUT	1	AUX218053		●
206	◆	SET OF CVT 'O' RING SEALS	1	AUX317100	■	
206	◆	SET OF FKM 'O' RING SEALS	1	AUX317099	■	
113		SEAL	(2)			●
205		SEAL RING	(1)			●
305		SEAL	(1)			●
306		SEAL	(1)			●
405A	◆	FRONT COVER SLC 12_18	1	AUX230216		
596	◆	COMPLETE TRANSMISSION :	1	AUX313789	■	●
596	◆	WITHOUT BELLOWS MONITORING SYSTEM	1	AUX313848	■	●
596	◆	WITHOUT BELLOWS MONITORING SYSTEM - JACKET	1	AUX313670	■	●
596	◆	WITH PRESSURE SWITCH BELLOWS MONITORING SYSTEM	1	AUX313786	■	●
596	◆	WITH ATEX PRESSURE SWITCH BELLOWS MONITORING SYSTEM	1	AUX313786	■	●
596	◆	WITH ATEX PRESSURE SWITCH BELLOWS MONITORING SYSTEM - JACKET	1	AUX313791	■	●
596	◆	WITH PRESSURE SWITCH BELLOWS MONITORING SYSTEM - JACKET	1	AUX313671	■	●

SLC18 i

* 1, 2, 4... : Quantity in equipment - (1), (2), (4)... : Quantity in kit

Item	Available	Description	Qty*	Ref.	Maintenance kit	Wear part
8	◆	PLUGS + BREATHER	1	AUX314259		
715	◆	SNIFTER VALVE	1	AUX220281		●
771		SEAL	(1)			●
772		PLUG	(1)			
9	◆	BEARING GASKETS _ RING SET	1	AUX312855		
507		SEAL RING	(1)			●
518		O-RING	(1)			●
605		RING	(1)			●
608		LIP SEAL	(1)			●
608A		LIP SEAL	(1)			●
725		CIRCLIPS	(1)			
100B	◆	INLET MANIFOLD WITHOUT FLANGE SLC 12_18 - STANDARD	1	AUX317096		
102A		MAIN BODY	(1)			
117		PIN	(1)			
118		PIN	(1)			
100	◆	INLET MANIFOLD WITHOUT FLANGE SLC 12_18 - JACKET	1	AUX317687		
101B		MAIN BODY	(1)			
104		MAIN BODY FLANGE	(1)			
108		SUPPORT FOOT	(1)			
109		SCREW	(2)			
117		PIN	(2)			
118		PIN	(1)			
124		PLUG	(2)			
100C	◆	INLET MANIFOLD WITHOUT FLANGE SLC 12_18 - TURN ABLE MANIFOLD	1	AUX317669		
101B		MAIN BODY	(1)			
104		MAIN BODY FLANGE	(1)			
108		SUPPORT FOOT	(1)			
109		SCREW	(2)			
117		PIN	(2)			
118		PIN	(1)			
410	◆	KIT FLANGES MAIN BODY_FRONT COVER PN16 SLC 12_18	1	AUX317101		
410	◆	KIT FLANGES MAIN BODY_FRONT COVER PN20 SLC 12_18	1	AUX317102		
136		SCREW	(6)			
148		ROD	(2)			
414		FLANGE	(2)			
119	◆	SCREWS SET SLC 18 - STANDARD PUMP	1	AUX317098		
123		WASHER	(4)			
147		SCREW	(4)			
406		WASHER	(6)			
416		SCREW	(6)			
119A	◆	SCREWS SET SLC 18 - JACKETED PUMP_TURN ABLE MANIFOLD	1	AUX317104		
111		STUD	(4)			
115		NUT	(4)			
123		WASHER	(4)			
406		WASHER	(6)			
416		SCREW	(4)			
417		SCREW	(2)			
119B	◆	SCREWS SET SLC 18 - JACKETED PUMP_TURN ABLE MANIFOLD	1	AUX317104		
111		STUD	(4)			
115		NUT	(4)			
123		WASHER	(4)			
406		WASHER	(6)			
416		SCREW	(4)			
417		SCREW	(2)			

SLC18 i

* 1, 2, 4... : Quantity in equipment - (1), (2), (4)... : Quantity in kit

Item	Available	Description	Qty*	Ref.	Maintenance kit	Wear part
200	◆	SET CYLINDER_PISTON	1	AUX312867	■	
201		CYLINDER	(1)			●
301		PISTON	(1)			●
304	◆	PISTON NUT	1	AUX218397		●
206	◆	SET OF CVT 'O' RING SEALS	1	AUX317100	■	
206	◆	SET OF FKM 'O' RING SEALS	1	AUX317099	■	
113		SEAL	(2)			●
205		SEAL RING	(1)			●
305		SEAL	(1)			●
306		SEAL	(1)			●
405A	◆	FRONT COVER SLC 12_18	1	AUX230216		
596	◆	COMPLETE TRANSMISSION :	1			
596	◆	WITHOUT BELLOWS MONITORING SYSTEM	1	AUX313789	■	●
596	◆	WITHOUT BELLOWS MONITORING SYSTEM - JACKET	1	AUX313848	■	●
596	◆	WITH PRESSURE SWITCH BELLOWS MONITORING SYSTEM	1	AUX313670	■	●
596	◆	WITH ATEX PRESSURE SWITCH BELLOWS MONITORING SYSTEM	1	AUX313786	■	●
596	◆	WITH ATEX PRESSURE SWITCH BELLOWS MONITORING SYSTEM - JACKET	1	AUX313791	■	●
596	◆	WITH PRESSURE SWITCH BELLOWS MONITORING SYSTEM -JACKET	1	AUX313671	■	●