



P.L. :	1001-P01
Effective Replaces	September 2020 March 2018

PARTS LIST
PUMPS
MICRO C 125 - 250 - 500 - 800

Keep this parts lists with Installation, Operation and Maintenance Instructions.

To order the required spare parts, indicate the desired Reference(s).

- ◆ To order the required spare parts, indicate the desired Reference(s).

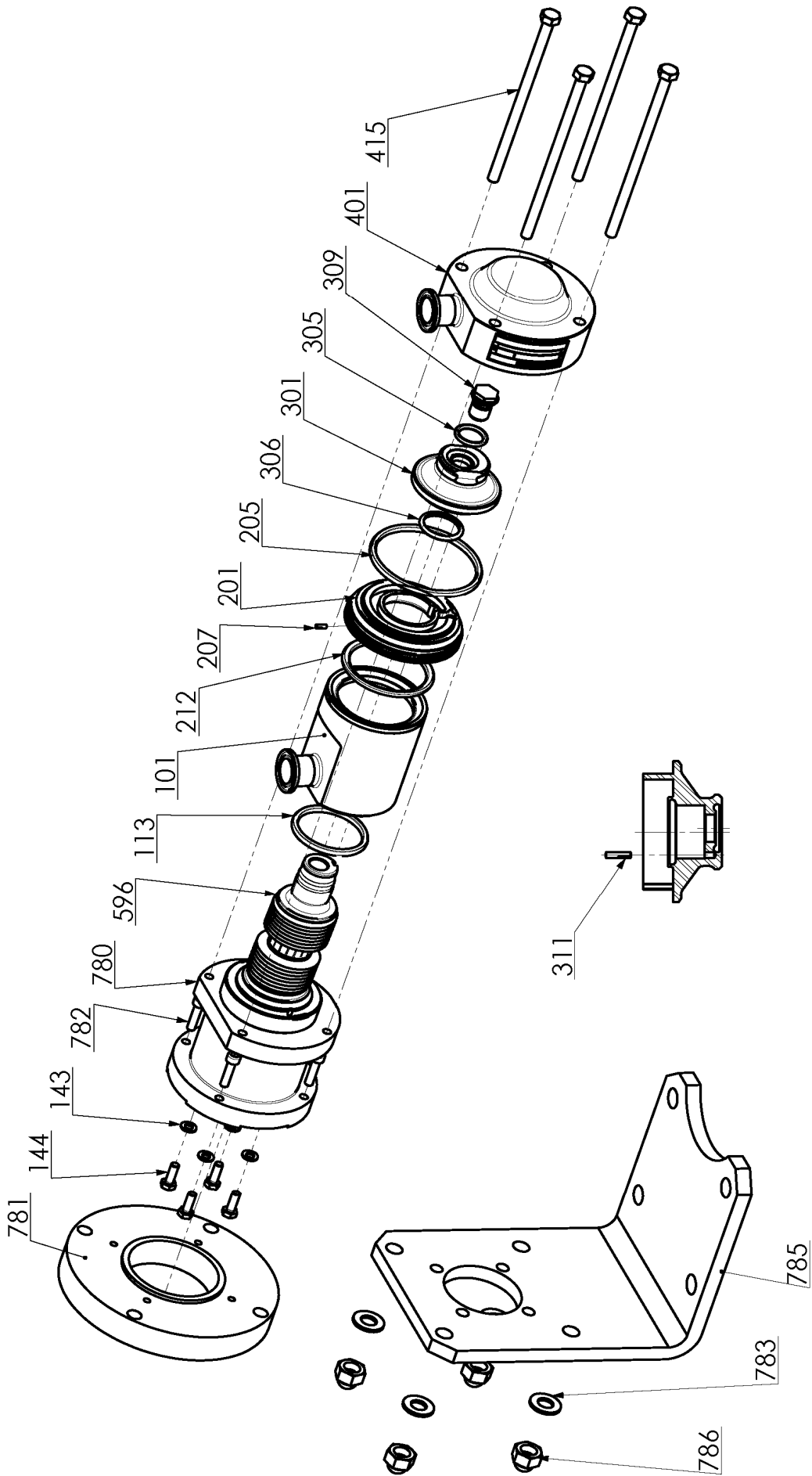
FEP-FKM : FEP encapsulated FKM

Z.I. la Plaine des Isles - 2 rue des Caillottes F-89000 AUXERRE - France

Tel : +33 (0)3 86 49 86 30 • Fax : +33 (0)3 86 49 87 17

contact.mouvex@psgdover.com • www.mouvex.com

MICRO C 125 - 250 - 500 - 800



MICRO C 125

* 1, 2, 4... : Quantity in equipment - (1), (2), (4)... : Quantity in kit

Item	Available	Description	Qty*	Ref.	Maintenance kit	Wear part
101	◆	INLET MANIFOLD CONNECTION 1_2" BSP	1	AUX313830		
101	◆	INLET MANIFOLD CONNECTION 1_2" NPT	1	AUX313831		
101	◆	INLET MANIFOLD CONNECTION CLAMP ASME BPE	1	AUX316485		
101	◆	INLET MANIFOLD CONNECTION CLAMP DIN 32676	1	AUX313829		
101	◆	INLET MANIFOLD CONNECTION CL ISO25	1	AUX314046		
101	◆	INLET MANIFOLD CONNECTION DIN20	1	AUX313828		
101	◆	INLET MANIFOLD CONNECTION SMS25	1	AUX313918		
200	◆	SET CYLINDER_PISTON MC125	1	AUX313836	■	
201		CYLINDER	(1)			●
207		PIN	(1)			
301		PISTON	(1)			●
309	◆	PISTON SCREW	1	AUX224792		
311		PIN	(1)			
206	◆	SET OF FEP-FKM 'O' RING SEALS	1	AUX313840	■	
206	◆	SET OF FKM 'O' RING SEALS	1	AUX313839	■	
113		SEAL	(1)			●
205		SEAL RING	(1)			●
212		SEAL	(1)			●
305		SEAL	(1)			●
306		SEAL	(1)			●
309	◆	PISTON SCREW	1	AUX224792		
401	◆	FRONT COVER PLATE 1_2" BSP	1	AUX313834		
401	◆	FRONT COVER PLATE 1_2" NPT	1	AUX313835		
401	◆	FRONT COVER PLATE CLAMP ASME BPE	1	AUX316486		
401	◆	FRONT COVER PLATE CLAMP DIN 32676	1	AUX313833		
401	◆	FRONT COVER PLATE CLAMP ISO25	1	AUX314047		
401	◆	FRONT COVER PLATE DIN20	1	AUX313832		
401	◆	FRONT COVER PLATE SMS25	1	AUX313919		
415	◆	SCREW	4	AUX224186	■	
596	◆	COMPLETE TRANSMISSION	1	AUX313817	■	●
1024	◆	TRANSMISSION ADAPTATION KIT (for pump delivered before the 31.08.2008)	1	AUX315143		
309		PISTON SCREW	(1)			
780		TRUNK	(1)			

MICRO C 250

* 1, 2, 4... : Quantity in equipment - (1), (2), (4)... : Quantity in kit

Item	Available	Description	Qty*	Ref.	Maintenance kit	Wear part
101	◆	INLET MANIFOLD CONNECTION 1_2" BSP	1	AUX313830		
101	◆	INLET MANIFOLD CONNECTION 1_2" NPT	1	AUX313831		
101	◆	INLET MANIFOLD CONNECTION CLAMP ASME BPE	1	AUX316485		
101	◆	INLET MANIFOLD CONNECTION CLAMP DIN 32676	1	AUX313829		
101	◆	INLET MANIFOLD CONNECTION CL ISO25	1	AUX314046		
101	◆	INLET MANIFOLD CONNECTION DIN20	1	AUX313828		
101	◆	INLET MANIFOLD CONNECTION SMS25	1	AUX313918		
200	◆	SET CYLINDER_PISTON MC250	1	AUX313837	■	
201		CYLINDER	(1)			●
207		PIN	(1)			
301		PISTON	(1)			●
309	◆	PISTON SCREW	1	AUX224792		
311		PIN	(1)			
206	◆	SET OF FEP-FKM 'O' RING SEALS	1	AUX313840	■	
206	◆	SET OF FKM 'O' RING SEALS	1	AUX313839	■	
113		SEAL	(1)			●
205		SEAL RING	(1)			●
212		SEAL	(1)			●
305		SEAL	(1)			●
306		SEAL	(1)			●
309	◆	PISTON SCREW	1	AUX224792		
401	◆	FRONT COVER PLATE 1_2" BSP	1	AUX313834		
401	◆	FRONT COVER PLATE 1_2" NPT	1	AUX313835		
401	◆	FRONT COVER PLATE CLAMP ASME BPE	1	AUX316486		
401	◆	FRONT COVER PLATE CLAMP DIN 32676	1	AUX313833		
401	◆	FRONT COVER PLATE CLAMP ISO25	1	AUX314047		
401	◆	FRONT COVER PLATE DIN20	1	AUX313832		
401	◆	FRONT COVER PLATE SMS25	1	AUX313919		
415	◆	SCREW	4	AUX224186	■	
596	◆	COMPLETE TRANSMISSION	1	AUX313817	■	●
1024	◆	TRANSMISSION ADAPTATION KIT (for pump delivered before the 31.08.2008)	1	AUX315143		
309		PISTON SCREW	(1)			
780		TRUNK	(1)			

MICRO C 500

* 1, 2, 4... : Quantity in equipment - (1), (2), (4)... : Quantity in kit

Item	Available	Description	Qty*	Ref.	Maintenance kit	Wear part
101	◆	INLET MANIFOLD CONNECTION 1_2" BSP	1	AUX313830		
101	◆	INLET MANIFOLD CONNECTION 1_2" NPT	1	AUX313831		
101	◆	INLET MANIFOLD CONNECTION CLAMP ASME BPE	1	AUX316485		
101	◆	INLET MANIFOLD CONNECTION CLAMP DIN 32676	1	AUX313829		
101	◆	INLET MANIFOLD CONNECTION CL ISO25	1	AUX314046		
101	◆	INLET MANIFOLD CONNECTION DIN20	1	AUX313828		
101	◆	INLET MANIFOLD CONNECTION SMS25	1	AUX313918		
200	◆	SET CYLINDER_PISTON MC500	1	AUX313838	■	
201		CYLINDER	(1)			●
207		PIN	(1)			
301		PISTON	(1)			●
309	◆	PISTON SCREW	1	AUX224792		
311		PIN	(1)			
206	◆	SET OF FEP-FKM 'O' RING SEALS	1	AUX313840	■	
206	◆	SET OF FKM 'O' RING SEALS	1	AUX313839	■	
113		SEAL	(1)			●
205		SEAL RING	(1)			●
212		SEAL	(1)			●
305		SEAL	(1)			●
306		SEAL	(1)			●
309	◆	PISTON SCREW	1	AUX224792		
401	◆	FRONT COVER PLATE 1_2" BSP	1	AUX313834		
401	◆	FRONT COVER PLATE 1_2" NPT	1	AUX313835		
401	◆	FRONT COVER PLATE CLAMP ASME BPE	1	AUX316486		
401	◆	FRONT COVER PLATE CLAMP DIN 32676	1	AUX313833		
401	◆	FRONT COVER PLATE CLAMP ISO25	1	AUX314047		
401	◆	FRONT COVER PLATE DIN20	1	AUX313832		
401	◆	FRONT COVER PLATE SMS25	1	AUX313919		
415	◆	SCREW	4	AUX224186	■	
596	◆	COMPLETE TRANSMISSION	1	AUX313817	■	●
1024	◆	TRANSMISSION ADAPTATION KIT (for pump delivered before the 31.08.2008)	1	AUX315143		
309		PISTON SCREW	(1)			
780		TRUNK	(1)			

MICRO C 800

* 1, 2, 4... : Quantity in equipment - (1), (2), (4)... : Quantity in kit

Item	Available	Description	Qty*	Ref.	Maintenance kit	Wear part
101	◆	INLET MANIFOLD CONNECTION 1_2" BSP	1	AUX313830		
101	◆	INLET MANIFOLD CONNECTION 1_2" NPT	1	AUX313831		
101	◆	INLET MANIFOLD CONNECTION CLAMP ASME BPE	1	AUX316485		
101	◆	INLET MANIFOLD CONNECTION CLAMP DIN 32676	1	AUX313829		
101	◆	INLET MANIFOLD CONNECTION CL ISO25	1	AUX314046		
101	◆	INLET MANIFOLD CONNECTION DIN20	1	AUX313828		
101	◆	INLET MANIFOLD CONNECTION SMS25	1	AUX313918		
200	◆	SET CYLINDER_PISTON MC800	1	AUX314448	■	
201		CYLINDER	(1)			●
207		PIN	(1)			
301		PISTON	(1)			●
309	◆	PISTON SCREW	1	AUX224792		
311		PIN	(1)			
206	◆	SET OF FEP-FKM 'O' RING SEALS	1	AUX313840	■	
206	◆	SET OF FKM 'O' RING SEALS	1	AUX313839	■	
113		SEAL	(1)			●
205		SEAL RING	(1)			●
212		SEAL	(1)			●
305		SEAL	(1)			●
306		SEAL	(1)			●
309	◆	PISTON SCREW	1	AUX224792		
401	◆	FRONT COVER PLATE 1_2" BSP	1	AUX313834		
401	◆	FRONT COVER PLATE 1_2" NPT	1	AUX313835		
401	◆	FRONT COVER PLATE CLAMP ASME BPE	1	AUX316486		
401	◆	FRONT COVER PLATE CLAMP DIN 32676	1	AUX313833		
401	◆	FRONT COVER PLATE CLAMP ISO25	1	AUX314047		
401	◆	FRONT COVER PLATE DIN20	1	AUX313832		
401	◆	FRONT COVER PLATE SMS25	1	AUX313919		
415	◆	SCREW	4	AUX224186	■	
596	◆	COMPLETE TRANSMISSION	1	AUX313817	■	●
1024	◆	TRANSMISSION ADAPTATION KIT (for pump delivered before the 31.08.2008)	1	AUX315143		
309		PISTON SCREW	(1)			
780		TRUNK	(1)			