

**PARTS LIST**  
**DIRECT DRIVE PACKAGES LS DDNC**  
**TYPHON II - MISTRAL - B600**

Keep this parts lists with Installation, Operation and Maintenance Instructions.

To order the required spare parts, indicate the desired Reference(s).

- ◆ Sets of parts or parts available to order.

**COMPRESSOR : See PL Compressor**

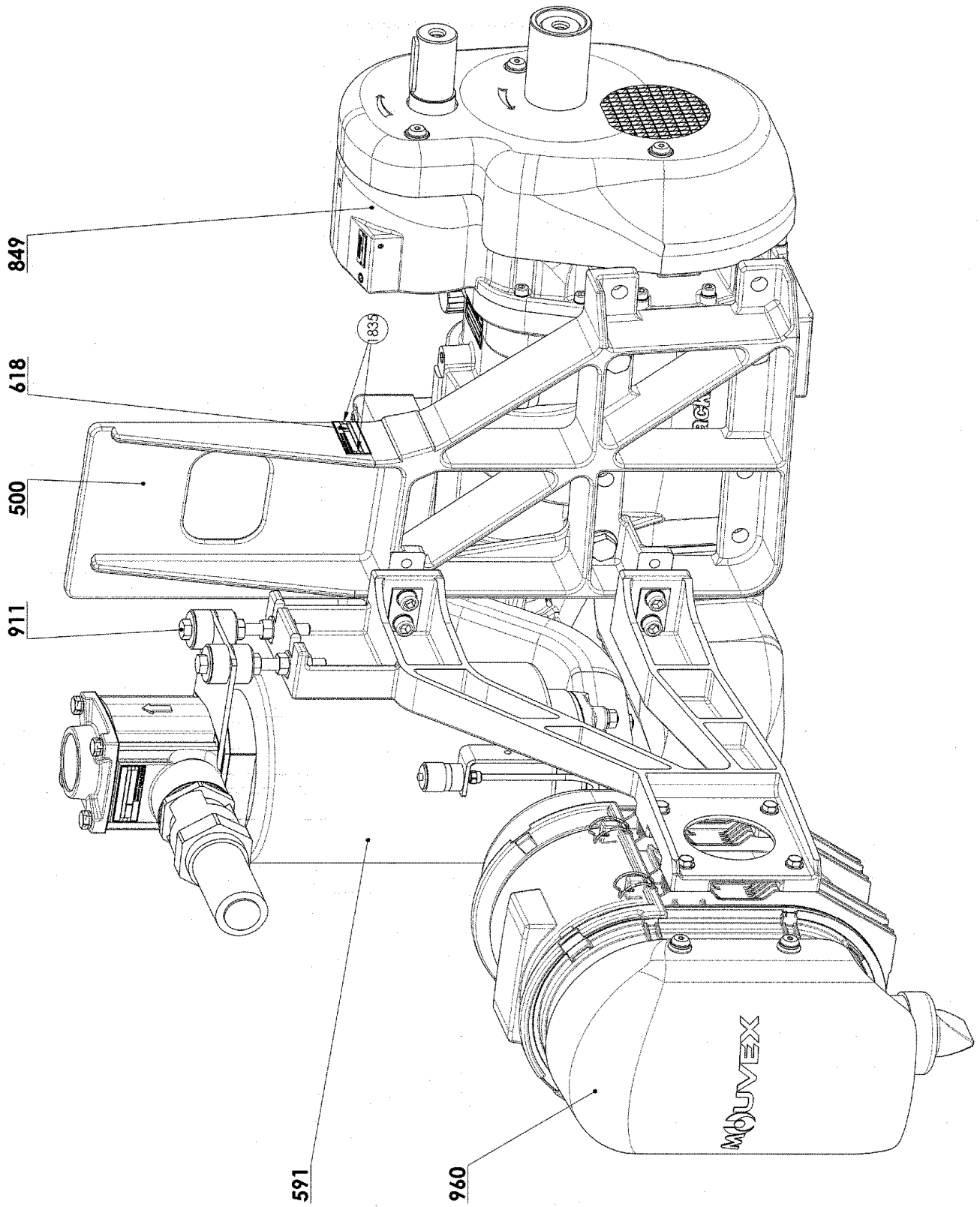
**DISASSEMBLING THE COMPRESSOR IS FORBIDDEN AND VOIDS THE WARRANTY.**  
**IF A REPAIRING IS NEEDED, THE COMPRESSOR MUST BE RETURNED TO OUR WORKSHOP.**  
**THE ITEMS SPECIFIED ON THAT PARTS LIST WHICH HAVE NOT REFERENCE CANNOT BE SUPPLIED AS SPARE PARTS.**

Z.I. la Plaine des Isles - 2 rue des Caillottes F-89000 AUXERRE - France

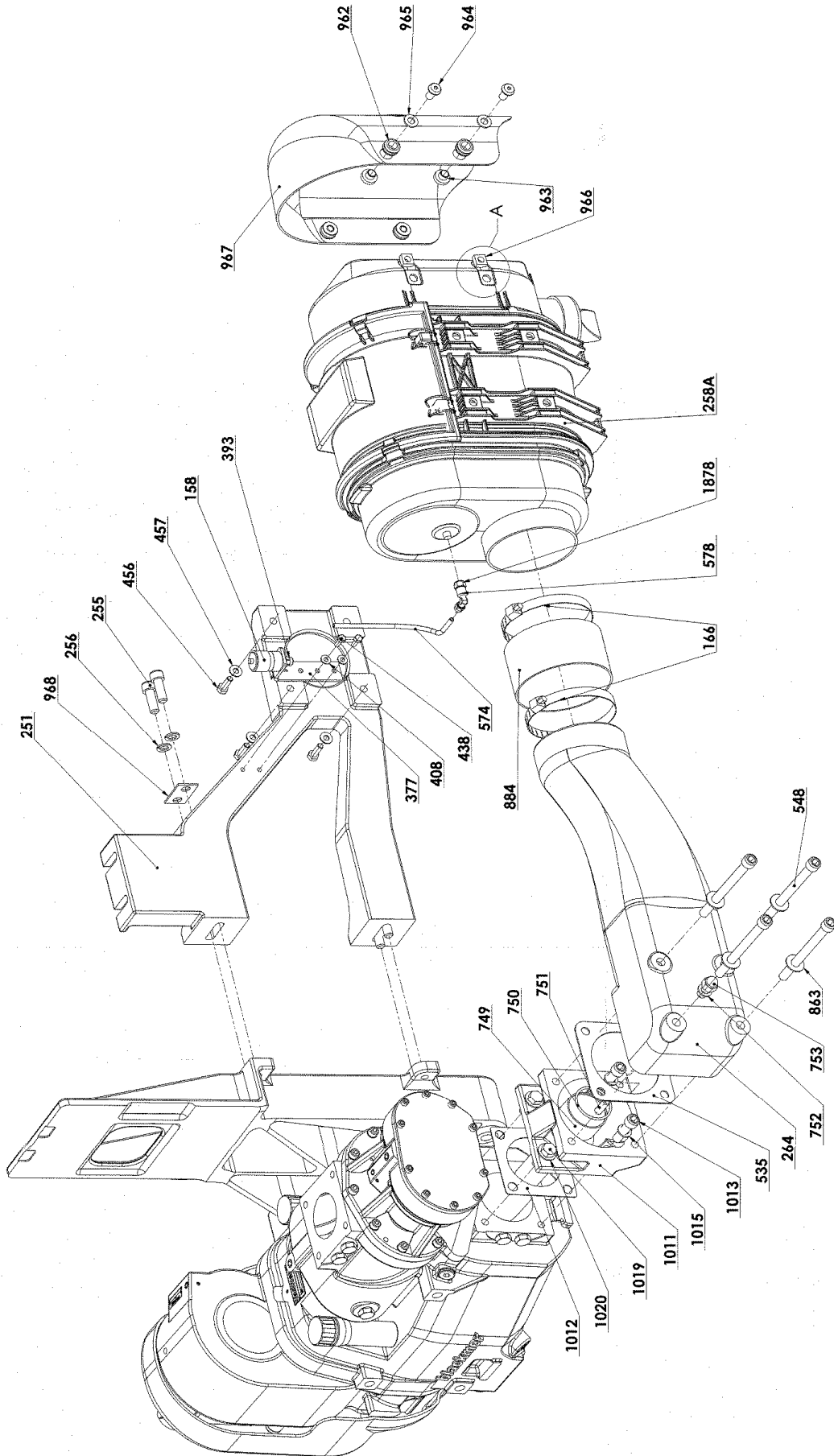
Tel : +33 (0)3 86 49 86 30 • Fax : +33 (0)3 86 49 87 17

contact.mouvex@psgdover.com • www.mouvex.com

# DIRECT DRIVE PACKAGES LS DDNC

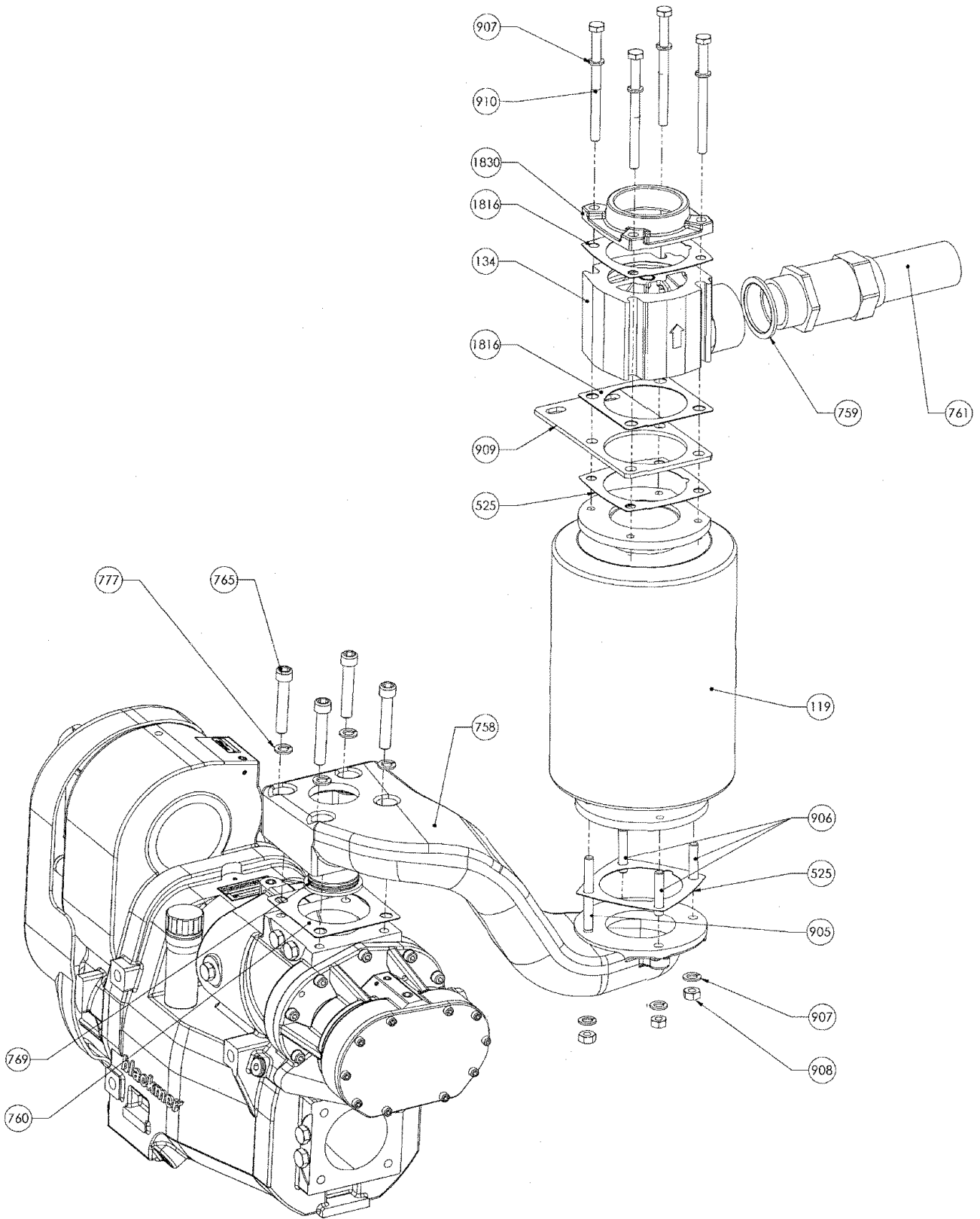


# LS-DDNC SUCTION ASSEMBLY



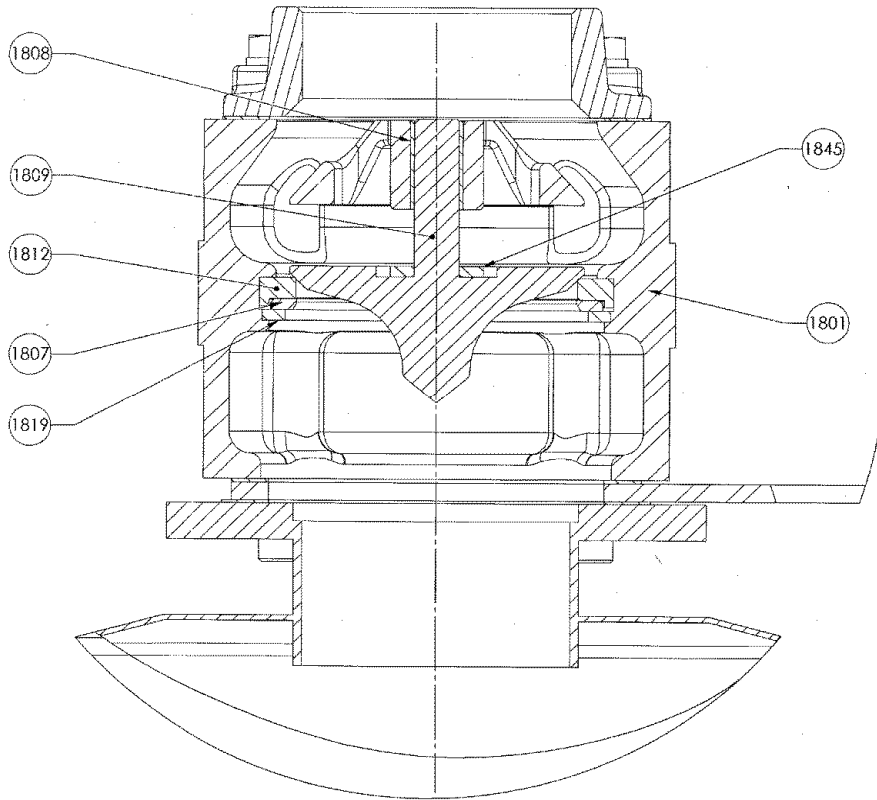
# ACCESSORIES

## Check and relief valve - Silencer

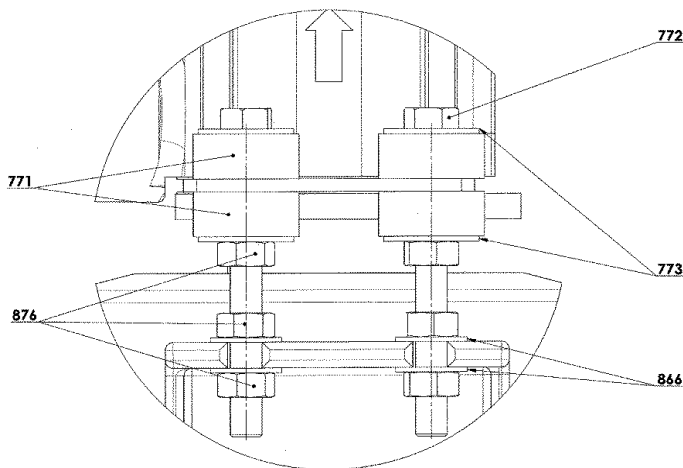


# ACCESSORIES

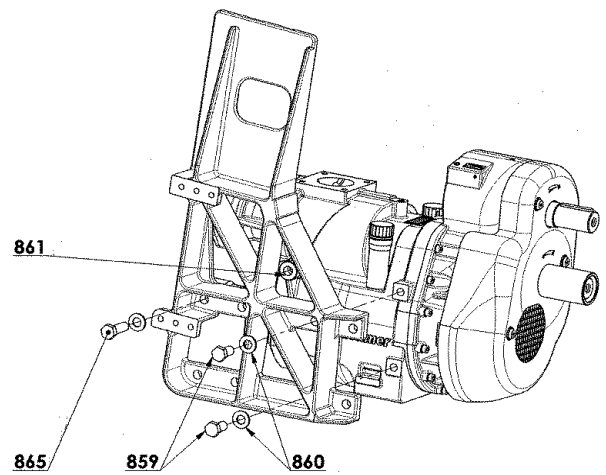
## Check and relief valve



## Vibration pad



## Fastening kit



# TYPHON II LS DDNC

\* 1, 2, 4... : Quantity in equipment - (1), (2), (4)... : Quantity in kit

\*\* Not shown on drawings

Item	Available	Description	Qty*	Ref.	Maintenance kit	Wear part
124	◆	COMPLETE TORQUE LIMITER 950 N.M	1	AUX312548	■	●
124	◆	COMPLETE TORQUE LIMITER 800 N.M	1	AUX317145	■	●
125		TORQUE LIMITER	(1)			
132		SPACER	(1)			
500	◆	HOLDER LS DDNC	1	AUX225865		
591	◆	LS DDNC CHECK VALVE SILENCER ASSEMBLY	1	AUX314662		
119	◆	SILENCER	1	AUX230485		
134	◆	VALVE ASSEMBLY FOR LS DDNC	1	AUX314659		
1801		CHECK VALVE CASING	(1)			
1807		WASHER	(1)			
1808		BUSH	(1)			
1809		VALVE	(1)			
1812	◆	SEAL	1	AUX220525	■	●
1819		CIRCLIPS	(1)			
1830	◆	FLANGE 2.5" BSP	1	AUX227439		
1845		WASHER	(1)			
635	◆	FASTENING KIT SILENCER LS DDNC	1	AUX315073		
525	◆	GASKET	2	AUX219281		
759		SEAL WASHER	(1)			
760	◆	GASKET	1	AUX219281		
765		SCREW	(4)			
777		WASHER	(4)			
905		STUD	(1)			
906		STUD	(3)			
907		WASHER	(8)			
908		NUT	(4)			
909		BRACKET	(1)			
910		SCREW	(4)			
1816	◆	GASKET	2	AUX219281	■	
758	◆	SILENCER CONNECTOR	1	AUX225862		
769	◆	PLUG	1	AUX225866		
778	◆	COMPLETE RELIEF VALVE 2.3 BAR	1	AUX313494	■	
778	◆	COMPLETE RELIEF VALVE 2 BAR	1	AUX313477	■	
759		SEAL WASHER	(1)			
761		RELIEF VALVE	(1)			●
849	◆	TYPHON II N 13R-15L/	1			
849	◆	TYPHON II N 19R-22L/	1			
849	◆	TYPHON II N 20R/	1			
849	◆	TYPHON II N 30R/	1			
911	◆	VIBRATION PADS ASSEMBLY	2	AUX314673		
771	◆	VIBRATION PAD	2	AUX222943	■	●
772		SCREW	(1)			
773		WASHER	(2)			
866		WASHER	(2)			
876		NUT	(3)			
1213	◆	FASTENING KIT	1	AUX315060		
859		SCREW	(4)			
860		WASHER	(4)			

# TYPHON II LS DDNC

\* 1, 2, 4... : Quantity in equipment - (1), (2), (4)... : Quantity in kit

\*\* Not shown on drawings

Item	Available	Description	Qty*	Ref.	Maintenance kit	Wear part
776	◆	TYPHON II LS DDNC SUCTION ASSEMBLY	1	AUX314668		
864	◆	LS DDNC SUCTION ASSEMBLY	1	AUX314665		
251	◆	BRACKET	1	AUX225864		
255		SCREW	(4)			
256		WASHER	(4)			
258A	◆	POWERCORE FILTER	1	AUX225619		
536**	◆	FILTER ELEMENT LS DDNC	1	AUX225827	■	●
456		SCREW	(4)			
457		WASHER	(4)			
588	◆	RESTRICTION INDICATOR ASSEMBLY	1	AUX314669	■	
158		RESTRICTION INDICATOR	(1)			
377		BRACKET	(1)			
393		CONNECTOR	(1)			
408		WASHER	(2)			
438		SCREW	(2)			
574		HOSE	(1)			
578		ELBOW 90°	(1)			
1878		ADAPTATER	(1)			
960	◆	SUCTION COVER ASSEMBLY	1	AUX315087		
961	◆	SUCTION COVER FASTENING ASSEMBLY LS DDNC	1	AUX315086		
962		RING	(4)			
963		SPACER	(4)			
964		SCREW	(4)			
965		WASHER	(4)			
966		NUT	(4)			
967		SUCTION COVER	(1)			
968		PLATE	(2)			
1208	◆	CONNECTION KIT FOR FILTER LS DDNC	1	AUX315062		
166		HOSE CLAMP	(2)			
884		STRAIGHT HUMP	(1)			
997	◆	CONNECTION KIT	1	AUX314670		
264		FILTER ELBOW	(1)			
535	◆	GASKET	1	AUX215088	■	
548		SCREW	(4)			
749		SILENCER	(1)			
750	◆	SEAL	1	AUX206692		
751	◆	STUD	1	AUX217239		
752		WASHER	(1)			
753		BLIND NUT	(1)			
863		WASHER	(4)			
1880	◆	SEALING KIT FOR CHECK VALVE (NOT ASSEMBLED)	1	AUX314412	■	
1805	◆	SPRING	1	AUX220708		
1808		BUSHING	(1)			
1812	◆	SEAL	1	AUX220525	■	●
1819		CIRCLIPS	(1)			
1807		WASHER	(1)			

# MISTRAL LS DDNC

\* 1, 2, 4... : Quantity in equipment - (1), (2), (4)... : Quantity in kit

\*\* Not shown on drawings

Item	Available	Description	Qty*	Ref.	Maintenance kit	Wear part
124	◆	<b>COMPLETE TORQUE LIMITER 800 N.M</b>	1	AUX317145	■	●
125		TORQUE LIMITER	(1)			
132		SPACER	(1)			
500	◆	<b>HOLDER LS DDNC</b>	1	AUX225865		
591	◆	<b>LS DDNC CHECK VALVE SILENCER ASSEMBLY</b>	1	AUX314662		
119	◆	SILENCER	1	AUX230485		
134	◆	VALVE ASSEMBLY FOR LS DDNC	1	AUX314659		
1801		CHECK VALVE CASING	(1)			
1807		WASHER	(1)			
1808		BUSH	(1)			
1809		VALVE	(1)			
1812	◆	SEAL	1	AUX220525	■	●
1819		CIRCLIPS	(1)			
1830	◆	FLANGE 2.5" BSP	1	AUX227439		
1845		WASHER	(1)			
635	◆	FASTENING KIT SILENCER LS DDNC	1	AUX315073		
525	◆	GASKET	2	AUX219281		
759		SEAL WASHER	(1)			
760	◆	GASKET	1	AUX219281		
765		SCREW	(4)			
777		WASHER	(4)			
905		STUD	(1)			
906		STUD	(3)			
907		WASHER	(8)			
908		NUT	(4)			
909		BRACKET	(1)			
910		SCREW	(4)			
1816	◆	GASKET	2	AUX219281	■	
758	◆	SILENCER CONNECTOR	1	AUX225862		
769	◆	PLUG	1	AUX225866		
778	◆	<b>COMPLETE RELIEF VALVE 2.3 BAR</b>	1	AUX313494	■	
778	◆	<b>COMPLETE RELIEF VALVE 2 BAR</b>	1	AUX313477	■	
759		SEAL WASHER	(1)			
761		RELIEF VALVE	(1)			●
849	◆	<b>MISTRAL N 13R-15L/</b>	1			
849	◆	<b>MISTRAL N 19R-22L/</b>	1			
849	◆	<b>MISTRAL N 20R/</b>	1			
849	◆	<b>MISTRAL N 30R/</b>	1			
911	◆	<b>VIBRATION PADS ASSEMBLY</b>	2	AUX314673		
771	◆	VIBRATION PAD	2	AUX222943	■	●
772		SCREW	(1)			
773		WASHER	(2)			
866		WASHER	(2)			
876		NUT	(3)			
1213	◆	<b>FASTENING KIT</b>	1	AUX315060		
859		SCREW	(4)			
860		WASHER	(4)			



# MISTRAL LS DDNC

\* 1, 2, 4... : Quantity in equipment - (1), (2), (4)... : Quantity in kit

\*\* Not shown on drawings

Item	Available	Description	Qty*	Ref.	Maintenance kit	Wear part
776	◆	MISTRAL LS DDNC SUCTION ASSEMBLY	1	AUX314667		
864	◆	LS DDNC SUCTION ASSEMBLY	1	AUX314665		
251	◆	BRACKET	1	AUX225864		
255		SCREW	(4)			
256		WASHER	(4)			
258A	◆	POWERCORE FILTER	1	AUX225619		
536**	◆	FILTER ELEMENT LS DDNC	1	AUX225827	■	●
456		SCREW	(4)			
457		WASHER	(4)			
588	◆	RESTRICTION INDICATOR ASSEMBLY	1	AUX314669	■	
158		RESTRICTION INDICATOR	(1)			
377		BRACKET	(1)			
393		CONNECTOR	(1)			
408		WASHER	(2)			
438		SCREW	(2)			
574		HOSE	(1)			
578		ELBOW 90°	(1)			
1878		ADAPTATER	(1)			
960	◆	SUCTION COVER ASSEMBLY	1	AUX315087		
961	◆	SUCTION COVER FASTENING ASSEMBLY LS DDNC	1	AUX315086		
962		RING	(4)			
963		SPACER	(4)			
964		SCREW	(4)			
965		WASHER	(4)			
966		NUT	(4)			
967		SUCTION COVER	(1)			
968		PLATE	(2)			
1208	◆	CONNECTION KIT FOR FILTER LS DDNC	1	AUX315062		
166		HOSE CLAMP	(2)			
884		STRAIGHT HUMP	(1)			
997	◆	CONNECTION KIT	1	AUX314672		
264		FILTER ELBOW	(1)			
535	◆	GASKET	1	AUX215088	■	
548		SCREW	(4)			
749		SILENCER	(1)			
750	◆	SEAL	1	AUX206692		
751	◆	STUD	1	AUX217239		
752		WASHER	(1)			
753		BLIND NUT	(1)			
863		WASHER	(4)			
1011	◆	SPACER FLANGE MISTRAL	1	AUX223059		
1012	◆	GASKET	1	AUX219281	■	
1013		SCREW	(2)			
1015		WASHER	(2)			
1019		SCREW	(2)			
1020		WASHER	(2)			
1880	◆	SEALING KIT FOR CHECK VALVE (NOT ASSEMBLED)	1	AUX314412	■	
1805	◆	SPRING	1	AUX220708		
1808		BUSHING	(1)			
1812	◆	SEAL	1	AUX220525	■	●
1819		CIRCLIPS	(1)			
1807		WASHER	(1)			

## B600 LS DDNC

\* 1, 2, 4... : Quantity in equipment - (1), (2), (4)... : Quantity in kit

\*\* Not shown on drawings

Item	Available	Description	Qty*	Ref.	Maintenance kit	Wear part
124	◆	COMPLETE TORQUE LIMITER 800 N.M	1	AUX317145	■	●
125		TORQUE LIMITER	(1)			
132		SPACER	(1)			
500	◆	HOLDER LS DDNC	1	AUX225865		
591	◆	LS DDNC CHECK VALVE SILENCER ASSEMBLY	1	AUX314662		
119	◆	SILENCER	1	AUX230485		
134	◆	VALVE ASSEMBLY FOR LS DDNC	1	AUX314659		
1801		CHECK VALVE CASING	(1)			
1807		WASHER	(1)			
1808		BUSH	(1)			
1809		VALVE	(1)			
1812	◆	SEAL	1	AUX220525	■	●
1819		CIRCLIPS	(1)			
1830	◆	FLANGE 2.5" BSP	1	AUX227439		
1845		WASHER	(1)			
635	◆	FASTENING KIT SILENCER LS DDNC	1	AUX315073		
525	◆	GASKET	2	AUX219281		
759		SEAL WASHER	(1)			
760	◆	GASKET	1	AUX219281		
765		SCREW	(4)			
777		WASHER	(4)			
905		STUD	(1)			
906		STUD	(3)			
907		WASHER	(8)			
908		NUT	(4)			
909		BRACKET	(1)			
910		SCREW	(4)			
1816	◆	GASKET	2	AUX219281	■	
758	◆	SILENCER CONNECTOR	1	AUX225862		
769	◆	PLUG	1	AUX225866		
778	◆	COMPLETE RELIEF VALVE 2.3 BAR	1	AUX313494	■	
778	◆	COMPLETE RELIEF VALVE 2 BAR	1	AUX313477	■	
759		SEAL WASHER	(1)			
761		RELIEF VALVE	(1)			●
849	◆	B600 N 13R-15L/	1			
849	◆	B600 N 19R-22L/	1			
849	◆	B600 N 20R/	1			
849	◆	B600 N 30R/	1			
911	◆	VIBRATION PADS ASSEMBLY	2	AUX314673		
771	◆	VIBRATION PAD	2	AUX222943	■	●
772		SCREW	(1)			
773		WASHER	(2)			
866		WASHER	(2)			
876		NUT	(3)			
1213	◆	FASTENING KIT	1	AUX315061		
859		SCREW	(2)			
860		WASHER	(3)			
861	◆	SPACER	1	AUX223134		
865		SCREW	(1)			

## B600 LS DDNC

\* 1, 2, 4... : Quantity in equipment - (1), (2), (4)... : Quantity in kit

\*\* Not shown on drawings

Item	Available	Description	Qty*	Ref.	Maintenance kit	Wear part
776	◆	<b>B600 LS DDNC SUCTION ASSEMBLY</b>	1	AUX314666		
864	◆	LS DDNC SUCTION ASSEMBLY	1	AUX314665		
251	◆	BRACKET	1	AUX225864		
255		SCREW	(4)			
256		WASHER	(4)			
258A	◆	POWERCORE FILTER	1	AUX225619		
536**	◆	FILTER ELEMENT LS DDNC	1	AUX225827	■	●
456		SCREW	(4)			
457		WASHER	(4)			
588	◆	RESTRICTION INDICATOR ASSEMBLY	1	AUX314669	■	
158		RESTRICTION INDICATOR	(1)			
377		BRACKET	(1)			
393		CONNECTOR	(1)			
408		WASHER	(2)			
438		SCREW	(2)			
574		HOSE	(1)			
578		ELBOW 90°	(1)			
1878		ADAPTATER	(1)			
960	◆	SUCTION COVER ASSEMBLY	1	AUX315087		
961	◆	SUCTION COVER FASTENING ASSEMBLY LS DDNC	1	AUX315086		
962		RING	(4)			
963		SPACER	(4)			
964		SCREW	(4)			
965		WASHER	(4)			
966		NUT	(4)			
967		SUCTION COVER	(1)			
968		PLATE	(2)			
1208	◆	CONNECTION KIT FOR FILTER LS DDNC	1	AUX315062		
166		HOSE CLAMP	(2)			
884		STRAIGHT HUMP	(1)			
997	◆	CONNECTION KIT	1	AUX314671		
264		FILTER ELBOW	(1)			
535	◆	GASKET	1	AUX215088	■	
548		SCREW	(4)			
749		SILENCER	(1)			
750	◆	SEAL	1	AUX206692		
751	◆	STUD	1	AUX217239		
752		WASHER	(1)			
753		BLIND NUT	(1)			
863		WASHER	(4)			
1011	◆	SPACER FLANGE B600	1	AUX223058		
1012	◆	GASKET	1	AUX219281	■	
1013		SCREW	(2)			
1015		WASHER	(2)			
1019		SCREW	(2)			
1020		WASHER	(2)			
1880	◆	<b>SEALING KIT FOR CHECK VALVE (NOT ASSEMBLED)</b>	1	AUX314412	■	
1805	◆	SPRING	1	AUX220708		
1808		BUSHING	(1)			
1812	◆	SEAL	1	AUX220525	■	●
1819		CIRCLIPS	(1)			
1807		WASHER	(1)			