

**PIECES DETACHEES
COMPRESSEURS A VIS
MX12**

Conserver la liste de pièces détachées avec la Notice d'instructions.

Pour commander des pièces de rechange, indiquer le(s) Référence(s) désirée(s).

- ◆ Ensembles de pièces ou pièces seules pouvant être fournis.

[PSM] : SEULEMENT POUR POINT SERVICE MOUVEX

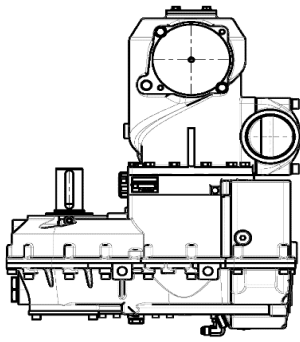
Z.I. la Plaine des Isles - 2 rue des Caillottes F-89000 AUXERRE - France

Tél : +33 (0)3 86 49 86 30

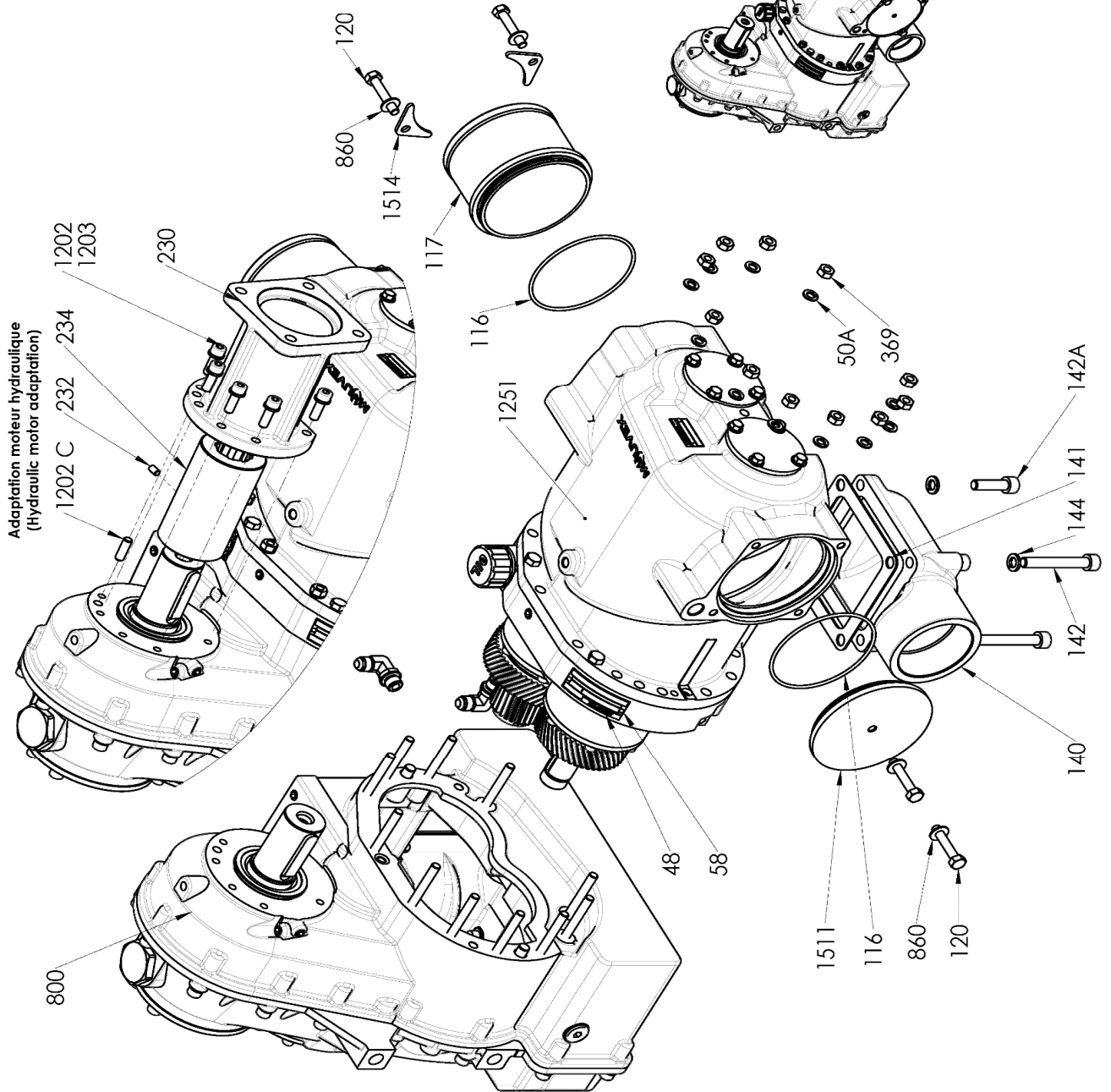
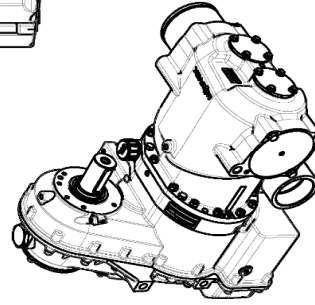
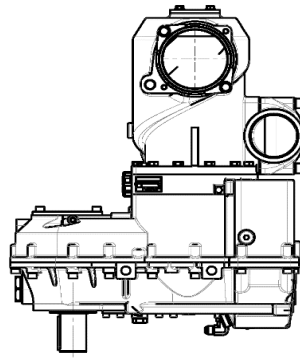
contact.mouvex@psgdover.com • www.mouvex.com

MX12

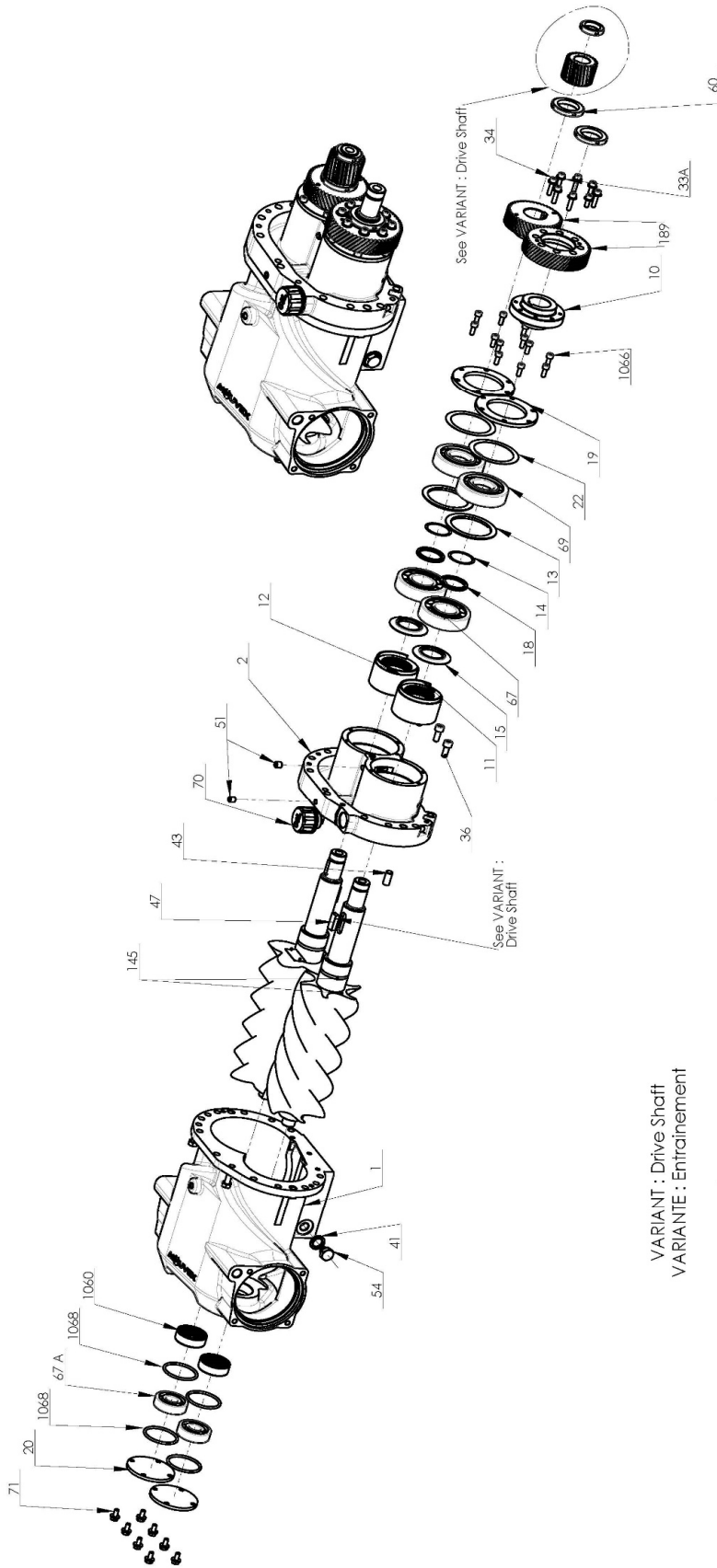
VERSION S



VERSION N

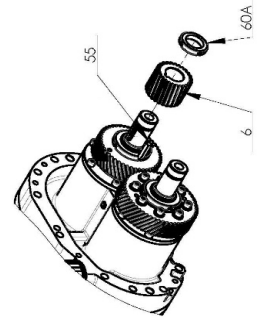


BLOC DE COMPRESSION

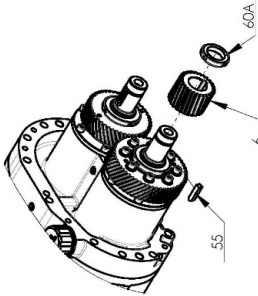


VARIANT : Drive Shaft
 VARIANTE : Entraînement

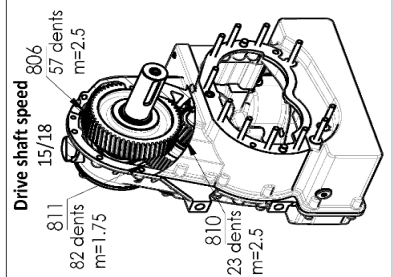
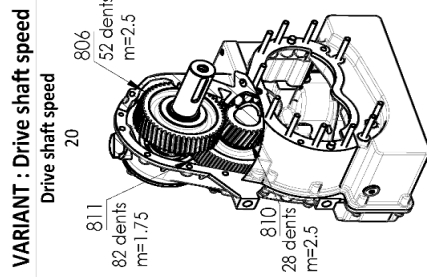
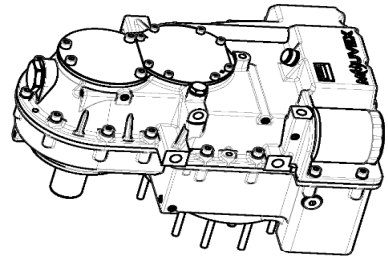
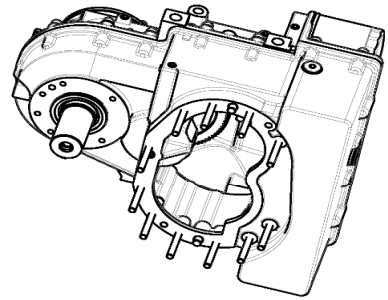
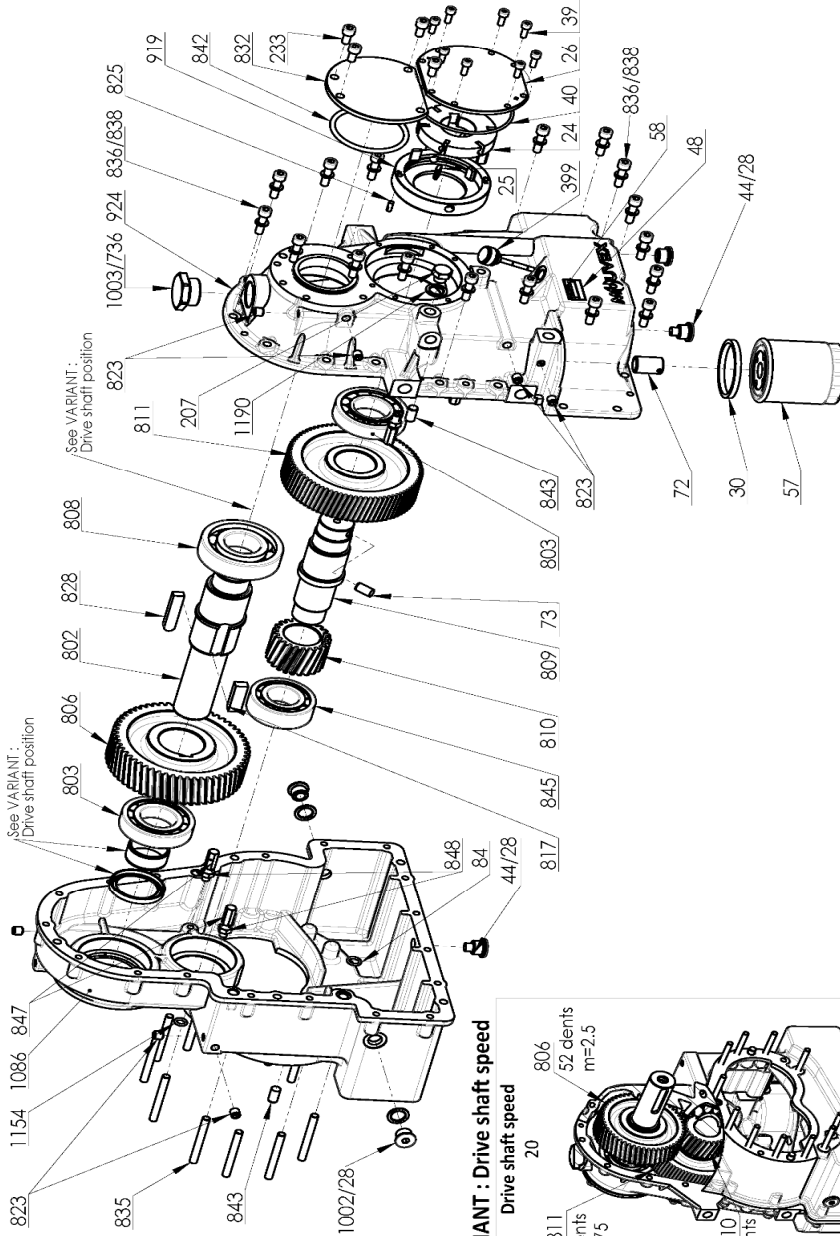
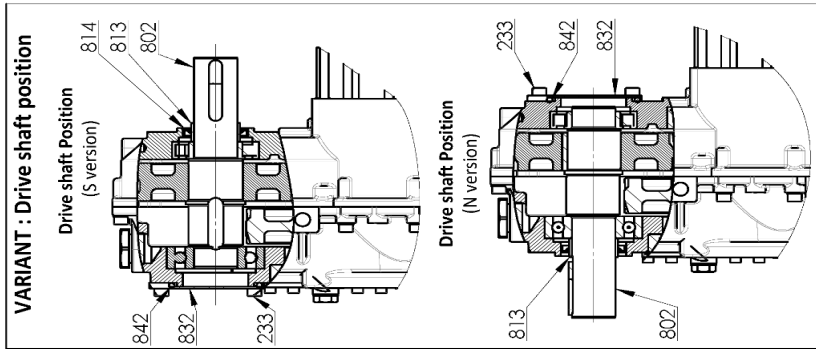
Drive Shaft - MS
 Entraînement Vis Male
 (versions S-18L, N-18R, N24R et S-24L)



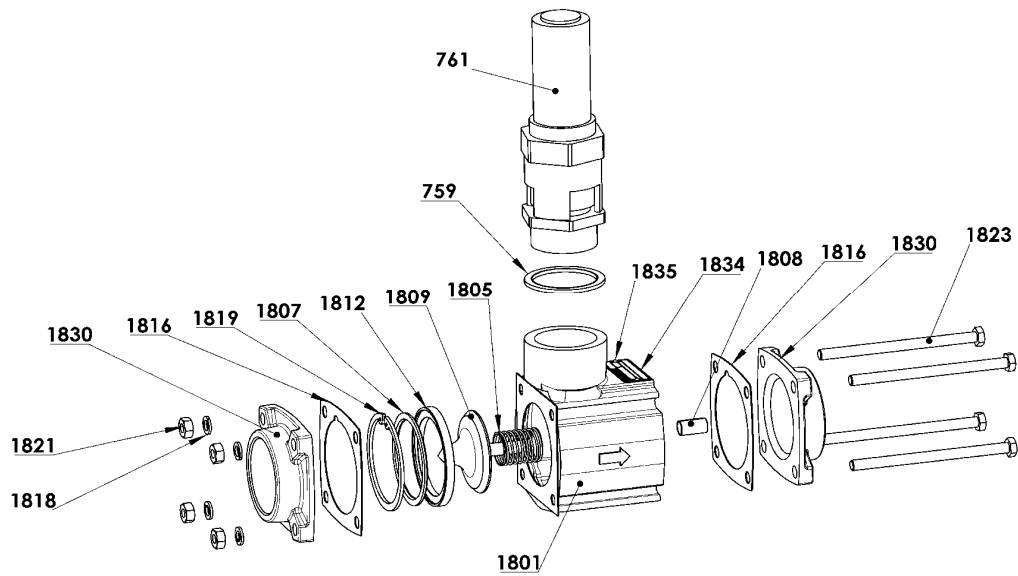
Drive Shaft - FS
 Entraînement Vis Femelle
 (versions S-15R, N-15L, N20L et S-20R)



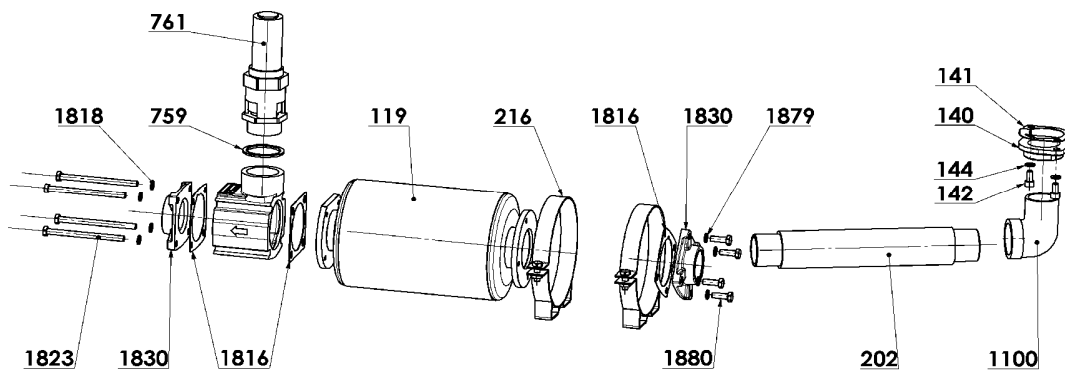
MULTIPLICATEUR MX12



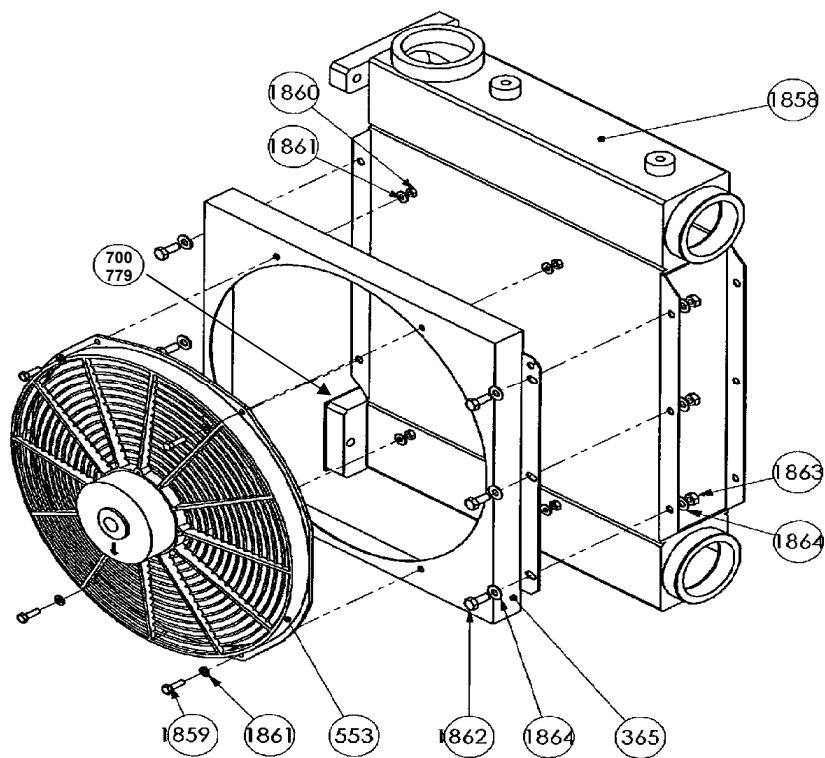
COMBINE CLAPET SOUPAPE



SILENCIEUX



ECHANGEUR



MX12

* 1, 2 ,4... : Quantité dans le matériel - (1), (2), (4)... : Quantité dans le kit

| Repère | Vendable | Description | Qté* | Ref. | Kit maintenance | Pièce usure |
|--------|----------|---|------|-----------|-----------------|-------------|
| 800 | ◆ | MULTIPLICATEUR MX12 N-15L | 1 | AUX320374 | ■ | |
| 800 | ◆ | MULTIPLICATEUR MX12 S-15R | 1 | AUX320049 | ■ | |
| 800 | ◆ | MULTIPLICATEUR MX12 N-18R | 1 | AUX320375 | ■ | |
| 800 | ◆ | MULTIPLICATEUR MX12 S-18L | 1 | AUX320050 | ■ | |
| 800 | ◆ | MULTIPLICATEUR MX12 N-20L | 1 | AUX320376 | ■ | |
| 800 | ◆ | MULTIPLICATEUR MX12 S-20R | 1 | AUX320051 | ■ | |
| 800B | | MULTIPLICATEUR MX12 20R 24L | (1) | | | |
| 28 | | RONDELLE ETANCHE | (4) | | | |
| 44 | ◆ | BOUCHON MAGNETIQUE | 1 | AUX215228 | | |
| 44B | | BOUCHON | (1) | | | |
| 59 | ◆ | JOINT A LEVRE | 1 | AUX219688 | | ● |
| 72 | | DOUILLE | (1) | | | |
| 84 | | JOINT TORIQUE | (1) | | | |
| 92 | ◆ | POMPE A HUILE | 1 | AUX322636 | | |
| 24 | | ROTOR | (1) | | | |
| 25A | ◆ | JEU DE 6 PALETTES POMPE A HUILE | 1 | AUX320071 | ■ | |
| 25 | | PALETTE | (6) | | | ● |
| 26 | | COUVERCLE | (1) | | | |
| 39 | | VIS | (8) | | | |
| 40 | | JOINT | (1) | | | |
| 73 | | GOUPILLE | (1) | | | |
| 919 | | CORPS | (1) | | | |
| 207 | | BOUCHON | (1) | | | |
| 399 | ◆ | BOUCHON AVEC JAUGE A HUILE | 1 | AUX243451 | ■ | ● |
| 736 | | RONDELLE ETANCHE | (1) | | | |
| 802 | | ARBRE D ENTREE | (1) | | | |
| 806 | | ROUE | (1) | | | |
| 809 | | ARBRE SECONDAIRE | (1) | | | |
| 810 | | PIGNON | (1) | | | |
| 811 | | ROUE | (1) | | | |
| 813 | ◆ | BAGUE | 1 | AUX236934 | | ● |
| 816 | ◆ | ENSEMBLE COUVERCLE | 1 | AUX322637 | | |
| 817 | | CLAVETTE | (1) | | | |
| 823 | | BOUCHON | (9) | | | |
| 825 | | GOUPILLE | (1) | | | |
| 828 | | CLAVETTE | (1) | | | |
| 835 | | GOUJON | (11) | | | |
| 836 | | VIS | (19) | | | |
| 838 | | RONDELLE | (19) | | | |
| 843 | | GOUPILLE | (4) | | | |
| 847 | | GICLEUR | (4) | | | |
| 848 | | ECROU | (4) | | | |
| 924 | ◆ | DEMI CARTER AVANT | 1 | AUX245798 | | |
| 1002 | | BOUCHON | (3) | | | |
| 1003 | | BOUCHON | (1) | | | |
| 1086 | | DEMI CARTER ARRIERE | (1) | | | |
| 1154 | | JOINT | (1) | | | |
| 1164 | ◆ | JEU DE ROULEMENTS -MULTIPLICATEUR- MX12 [PSM] | 1 | AUX321399 | | |
| 803 | | ROULEMENT A ROULEAUX | (2) | | | |
| 808 | | ROULEMENT A BILLES | (1) | | | |
| 845 | | ROULEMENT A ROULEAUX | (1) | | | |
| 1190 | | JOINT | (1) | | | |
| 1411 | | BOUCHON | (1) | | | |
| 1528 | | RONDELLE ETANCHE | (1) | | | |

MX12

* 1, 2, 4... : Quantité dans le matériel - (1), (2), (4)... : Quantité dans le kit

| Repère | Vendable | Description | Qté* | Ref. | Kit maintenance | Pièce usure |
|--------|----------|---|------|-----------|-----------------|-------------|
| 469 | ◆ | ENSEMBLE ADAPTATION MOTEUR HYDRAULIQUE | 1 | AUX322338 | ■ | |
| 28 | | GOUPILLE | (1) | | | |
| 44 | | VIS | (1) | | | |
| 44B | | MOYEU ENTRAINEMENT HYDRAULIQUE | (1) | | | |
| 59 | | ENTRETOISE | (1) | | | ● |
| 72 | | RONDELLE | (6) | | | |
| 92 | | VIS | (6) | | | |
| 437A | ◆ | DEMI CARTER AVANT MULTIPLICATEUR COMPLET | 1 | AUX320536 | ■ | |
| 28 | | RONDELLE ETANCHE | (1) | | | |
| 44 | ◆ | BOUCHON MAGNETIQUE | 1 | AUX215228 | | |
| 57 (1) | ◆ | FILTRE A HUILE COMPLET MX12_MH6 | 1 | AUX319999 | ■ | ● |
| 30 | | JOINT | (1) | | | |
| 57A | | FILTRE A HUILE | (1) | | | |
| 72 | | DOUILLE | (1) | | | |
| 207 | | BOUCHON | (1) | | | |
| 399 | ◆ | BOUCHON AVEC JAUGE A HUILE | 1 | AUX243451 | | |
| 736 | | RONDELLE ETANCHE | (1) | | | |
| 823 | | BOUCHON | (5) | | | |
| 825 | | GOUPILLE | (1) | | | |
| 836 | | VIS | (19) | | | |
| 838 | | RONDELLE | (19) | | | |
| 847 | | GICLEUR | (2) | | | |
| 848 | | ECROU | (2) | | | |
| 924 | ◆ | DEMI CARTER AVANT | 1 | AUX245798 | | |
| 1003 | | BOUCHON | (1) | | | |
| 1190 | | JOINT | (1) | | | |
| 939 | ◆ | KIT REPARATION ARBRE ENTREE MX12 S 15R 18L (NON ASSEMBLE) [PSM] | 1 | AUX321932 | | |
| 802 | | ARBRE D ENTREE | (1) | | | |
| 803 | | ROULEMENT A ROULEAUX | (1) | | | |
| 806 | | ROUE 57 DENTS | (1) | | | |
| 808 | | ROULEMENT A BILLES | (1) | | | |
| 813 | ◆ | BAGUE | 1 | AUX236934 | | |
| 814 | ◆ | JOINT A LEVRE | 1 | AUX219688 | | |
| 817 | | CLAVETTE | (1) | | | |
| 828 | | CLAVETTE | (1) | | | |
| 842 | ◆ | BOUCHON | 1 | AUX243373 | | |
| 939 | ◆ | KIT REPARATION ARBRE ENTREE MX12 S 20R (NON ASSEMBLE) [PSM] | 1 | AUX321729 | | |
| 802 | | ARBRE D ENTREE | (1) | | | |
| 803 | | ROULEMENT A ROULEAUX | (1) | | | |
| 806 | | ROUE 52 DENTS | (1) | | | |
| 808 | | ROULEMENT A BILLES | (1) | | | |
| 813 | ◆ | BAGUE | 1 | AUX236934 | | |
| 814 | ◆ | JOINT A LEVRE | 1 | AUX219688 | | |
| 817 | | CLAVETTE | (1) | | | |
| 828 | | CLAVETTE | (1) | | | |
| 842 | ◆ | BOUCHON | 1 | AUX243373 | | |
| 939 | ◆ | KIT REPARATION ARBRE ENTREE MX12 N 20L (NON ASSEMBLE) [PSM] | 1 | AUX322585 | | |
| 802 | | ARBRE D ENTREE | (1) | | | |
| 803 | | ROULEMENT A ROULEAUX | (1) | | | |
| 806 | | ROUE 52 DENTS | (1) | | | |
| 808 | | ROULEMENT A BILLES | (1) | | | |
| 813 | ◆ | BAGUE | 1 | AUX236934 | | |
| 814 | ◆ | JOINT A LEVRE | 1 | AUX219688 | | |
| 817 | | CLAVETTE | (1) | | | |
| 828 | | CLAVETTE | (1) | | | |
| 842 | ◆ | BOUCHON | 1 | AUX243373 | | |
| 948 | ◆ | KIT BAGUES MX12 [PSM] | 1 | AUX321896 | | |
| 1060 | | BAGUE BRONZE | (2) | | | |
| 11 | | BAGUE BRONZE DROITE (11 ET 12A) | (1) | | | |
| 12 | | BAGUE BRONZE GAUCHE (11A ET 12) | (1) | | | |

MX12

* 1, 2, 4... : Quantité dans le matériel - (1), (2), (4)... : Quantité dans le kit

| Repère | Vendable | Description | Qté* | Ref. | Kit maintenance | Pièce usure |
|--------|----------|---|------|-----------|-----------------|-------------|
| 955 | ◆ | KIT SERVICE B MX12 (NON ASSEMBLE) [PSM] | 1 | AUX321897 | | |
| 14 | | JEU DE CALES | (2) | | | |
| 22 | | JEU DE CALES | (2) | | | |
| 67 | | ROULEMENT A BILLES | (2) | | | |
| 69 | | BUTEE A BILLES | (2) | | | |
| 1031 | ◆ | KIT ROULEMENTS (67A_1068) MX12 [PSM] | 1 | AUX320422 | | |
| 67A | | ROULEMENT A BILLES | (2) | | | |
| 1068 | | JOINT TORIQUE | (4) | | | |
| 1154 | | JOINT | (1) | | | |
| 1073 | ◆ | JEU DE JOINTS -MULTIPLICATEUR- MX12 | 1 | AUX320072 | ■ | |
| 28 | | RONDELLE ETANCHE | (5) | | | |
| 40 | | JOINT | (1) | | | |
| 59 | ◆ | JOINT A LEVRE | 1 | AUX219688 | | ● |
| 84 | | JOINT TORIQUE | (1) | | | ● |
| 116 | | JOINT TORIQUE | (2) | | | ● |
| 141 | | JOINT PLAT REFOULEMENT | (1) | | | ● |
| 736 | | RONDELLE ETANCHE | (1) | | | |
| 1068 | | JOINT TORIQUE | (4) | | | |
| 1154 | | JOINT | (1) | | | |
| 1190 | | JOINT | (1) | | | |
| 1198 | ◆ | JEU BOUCHONS ET JOINTS POUR MULTIPLICATEUR | 1 | AUX320070 | ■ | |
| 28 | | RONDELLE ETANCHE | (5) | | | |
| 44 | ◆ | BOUCHON MAGNETIQUE | 2 | AUX215228 | | |
| 1002 | | BOUCHON | (3) | | | |
| 1165 | ◆ | KIT PIGNONS_ECROU_CLAVETTE MX12 | 1 | AUX320069 | ■ | |
| 6 | | PIGNON 26 DENTS | (1) | | | |
| 55 | | CLAVETTE | (1) | | | |
| 60A | | ECROU | (1) | | | |
| 1167 | ◆ | JEU DE CLAVETTES | 1 | AUX320068 | ■ | |
| 55 | | CLAVETTE | (1) | | | |
| 828 | | CLAVETTE | (1) | | | |

(1) Veiller à n'utiliser que le filtre préconisé par MOUVEX afin de garantir un fonctionnement correct du compresseur. Celui-ci est équipé d'un joint spécial haute température.

MX12

* 1, 2, 4... : Quantité dans le matériel - (1), (2), (4)... : Quantité dans le kit

| Repère | Vendable | Description | Qté* | Ref. | Kit maintenance | Pièce usure |
|--------|----------|---|------|-----------|-----------------|-------------|
| 1251 | ◆ | BLOC DE COMPRESSION MX12 15R_20R | 1 | AUX319976 | | |
| 1251 | ◆ | BLOC DE COMPRESSION MX12 18L_24L | 1 | AUX319977 | | |
| 675 | | RIVET | (2) | | | |
| 840A | | PLAQUE D'IDENTIFICATION | (1) | | | |
| 1250 | | BLOC DE COMPRESSION | (1) | | | |
| 1 | | CORPS | (1) | | | |
| 36B | | VIS | (2) | | | |
| 41 | | JOINT | (1) | | | |
| 54 | | BOUCHON | (1) | | | |
| 447 | | OBTURATEUR | (2) | | | |
| 950 | ◆ | KIT BRIDE PALIERE ENTRAINEMENT MALE MX12 18L_24L | 1 | AUX321397 | | |
| 951 | ◆ | KIT BRIDE PALIERE ENTRAINEMENT FEMELLE MX12 15R_20R | 1 | AUX321398 | | |
| 2 | | BRIDE | (1) | | | |
| 6 | | PIGNON 26 DENTS | (1) | | | |
| 19 | | BRIDE DE ROULEMENT | (2) | | | |
| 36 | | VIS | (3) | | | |
| 43 | | GOUPILLE | (2) | | | |
| 51 | | BOUCHON | (3) | | | |
| 55 | | CLAVETTE | (1) | | | |
| 60A | | ECROU | (1) | | | |
| 70 | ◆ | BOUCHON RENIFLARD | 1 | AUX240106 | | |
| 145 | ◆ | COUPLE DE VIS MX12 [PSM] | 1 | AUX318766 | ■ | |
| 970 | ◆ | KIT ROULEMENTS BRIDE PALIERE MX12 [PSM] | 1 | AUX321393 | | |
| 13 | | ENTRETOISE | (2) | | | |
| 14 | ◆ | JEU DE CALES MX12 [PSM] | 1 | AUX321395 | | |
| 14A | | JEU DE CALES | (2) | | | |
| 22 | | JEU DE CALES | (2) | | | |
| 15 | | DISQUE DE CENTRIFUGATION | (2) | | | |
| 18 | | ENTRETOISE | (2) | | | |
| 67 | | ROULEMENT A ROULEAUX | (2) | | | |
| 69 | | BUTEE A BILLES | (2) | | | |
| 1163 | ◆ | KIT BAGUES BRIDE PALIERE MX12 [PSM] | 1 | AUX319157 | | |
| 11 | | BAGUE BRONZE | (1) | | | |
| 12 | | BAGUE BRONZE | (1) | | | |
| 1165 | ◆ | KIT PIGNONS DE SYNCHRONISATION MX12 [PSM] | 1 | AUX321392 | | |
| 10 | | SUPPORT | (1) | | | |
| 33A | | RONDELLE | (8) | | | |
| 34 | | VIS | (8) | | | |
| 47 | | CLAVETTE | (2) | | | |
| 60 | | ECROU DE ROULEMENT | (2) | | | |
| 189 | ◆ | PIGNONS DE SYNCHRONISATION MX12 | (1) | AUX318767 | | |
| 1066 | | VIS | (12) | | | |
| 971 | ◆ | KIT ROULEMENTS ETANCHEITE CORPS MX12 | 1 | AUX321396 | | |
| 20 | | COUVERCLE DE ROULEMENT | (2) | | | |
| 71 | | VIS | (8) | | | |
| 1031 | ◆ | KIT ROULEMENTS (67A_1068) MX12 [PSM] | 1 | AUX320422 | | |
| 67A | | ROULEMENT A BILLES | (2) | | | |
| 1068 | | JOINT TORIQUE | (4) | | | |
| 1060 | | BAGUE BRONZE | (2) | | | |
| 116A | ◆ | JEU DE JOINTS ET RENIFLARD BLOC DE COMPRESSION | 1 | AUX320081 | ■ | |
| 41 | | JOINT | (1) | | | |
| 70 | ◆ | BOUCHON RENIFLARD | 1 | AUX240106 | | ● |
| 116 | | JOINT TORIQUE | (2) | | | ● |
| 141 | | JOINT PLAT REFOULEMENT | (1) | | | ● |

MX12

* 1, 2, 4... : Quantité dans le matériel - (1), (2), (4)... : Quantité dans le kit

| Repère | Vendable | Description | Qté* | Ref. | Kit maintenance | Pièce usure |
|--------|----------|---|------|-----------|-----------------|-------------|
| 1534 | ◆ | BIDON 10 LITRES (HUILE BSC3) | 1 | AUX316304 | | ● |
| 1535 | ◆ | BIDON 30 LITRES (HUILE BSC3) | 1 | AUX316305 | ■ | ● |
| 1536 | ◆ | BIDON 208 LITRES (HUILE BSC3) | 1 | AUX316492 | | ● |
| 1537 | ◆ | BIDON 1 LITRE (HUILE BSC3) | 1 | AUX316301 | | ● |
| 1538 | ◆ | BIDON 2 LITRES (HUILE BSC3) | 1 | AUX316302 | | ● |
| 1539 | ◆ | BIDON 5 LITRES (HUILE BSC3) | 1 | AUX316303 | | ● |
| 1551D | ◆ | CORPS COMPLET | 1 | AUX320537 | ■ | |
| 1 | | CORPS | (1) | | | |
| 20 | | COUVERCLE DE ROULEMENT | (2) | | | |
| 36 | | VIS | (5) | | | |
| 36B | | VIS | (5) | | | |
| 41 | | JOINT | (1) | | | |
| 54 | | BOUCHON | (1) | | | |
| 71 | | VIS | (8) | | | |
| 141 | | JOINT PLAT REFOULEMENT MX12 | (1) | | | |
| 1031 | ◆ | KIT ROULEMENTS (67A_1068) MX12 [PSM] | 1 | AUX320422 | | |
| 67A | | ROULEMENT A BILLES | (2) | | | |
| 1068 | | JOINT TORIQUE | (4) | | | |
| | | OUTILS POUR MONTAGE DES JOINTS A LEVRES 814 - MX12 | | | | |
| 1632 | ◆ | OUTIL DE MONTAGE JOINT A LEVRE | | AUX241661 | | |
| 1632A | ◆ | OUTIL BAGUE DE MONTAGE JOINT A LEVRE | | AUX241662 | | |
| 1655 | ◆ | KIT DE CONVERSION 15R EN 20R (NON ASSEMBLE) | 1 | AUX320531 | ■ | |
| 802 | | ARBRE D ENTREE | (1) | | | |
| 803 | | ROULEMENT A ROULEAUX | (2) | | | |
| 806 | | ROUE 52 DENTS | (1) | | | |
| 808 | | ROULEMENT A BILLES | (1) | | | |
| 809 | | ARBRE SECONDAIRE | (1) | | | |
| 810 | | PIGNON 28 DENTS | (1) | | | |
| 811 | | ROUE 82 DENTS | (1) | | | |
| 813 | ◆ | BAGUE | 1 | AUX236934 | | |
| 817 | | CLAVETTE | (1) | | | |
| 828 | | CLAVETTE | (1) | | | |
| 843 | | GOUPILLE | (4) | | | |
| 845 | | ROULEMENT A ROULEAUX | (1) | | | |
| 1656 | ◆ | KIT DE CONVERSION 20R EN 15R (NON ASSEMBLE) | 1 | AUX320532 | ■ | |
| 802 | | ARBRE D ENTREE | (1) | | | |
| 803 | | ROULEMENT A ROULEAUX | (2) | | | |
| 806 | | ROUE 57 DENTS | (1) | | | |
| 808 | | ROULEMENT A BILLES | (1) | | | |
| 809 | | ARBRE SECONDAIRE | (1) | | | |
| 810 | | PIGNON 23 DENTS | (1) | | | |
| 811 | | ROUE 82 DENTS | (1) | | | |
| 813 | ◆ | BAGUE | 1 | AUX236934 | | |
| 817 | | CLAVETTE | (1) | | | |
| 828 | | CLAVETTE | (1) | | | |
| 843 | | GOUPILLE | (4) | | | |
| 845 | | ROULEMENT A ROULEAUX | (1) | | | |

ACCESSOIRES

* 1, 2, 4... : Quantité dans le matériel - (1), (2), (4)... : Quantité dans le kit

** Non montré sur les éclatés

| Repère | Vendable | Description | Qté* | Ref. | Kit maintenance | Pièce usure |
|-------------------------------|----------|--|------|-----------|-----------------|-------------|
| COMBINE CLAPET SOUPAPE | | | | | | |
| 524 | ◆ | COMBINE CLAPET SOUPAPE 2.5" 2 BAR | 1 | AUX316101 | ■ | |
| 524 | ◆ | COMBINE CLAPET SOUPAPE 2.5" 2.3 BAR | 1 | AUX316099 | ■ | |
| 524 | ◆ | COMBINE CLAPET SOUPAPE 2.5" 2.5 BAR | 1 | AUX316103 | ■ | |
| 761 | | SOUPAPE DE PROTECTION | (1) | | | |
| 1801 | | CORPS DE CLAPET | (1) | | | |
| 1879 | ◆ | KIT JOINTS_VIS POUR CLAPET | 1 | AUX314413 | ■ | |
| 759 | | RONDELLE ETANCHE | (1) | | | |
| 1816 | ◆ | JOINT DE BRIDE | 2 | AUX220562 | ■ | |
| 1818 | | RONDELLE | (4) | | | |
| 1821 | | ECROU | (4) | | | |
| 1823 | | VIS | (4) | | | |
| 1880 | ◆ | KIT ETANCHEITE POUR CLAPET | 1 | AUX314412 | ■ | |
| 1805 | ◆ | RESSORT | 1 | AUX220708 | | |
| 1807 | | RONDELLE | (1) | | | |
| 1808 | | PALIER | (1) | | | |
| 1812 | ◆ | JOINT | 1 | AUX220525 | ■ | ● |
| 1819 | | CIRCLIPS | (1) | | | |
| 1809 | | CLAPET | (1) | | | |
| 1830 | ◆ | BRIDE 2.5" BSP | 2 | AUX227439 | | |
| 1834 | | PLAQUE D'IDENTIFICATION | (1) | | | |
| 1835 | | RIVET | (2) | | | |
| 778 | ◆ | SOUPAPE DE PROTECTION COMPLETE 2 BAR | 1 | AUX313477 | ■ | |
| 778 | ◆ | SOUPAPE DE PROTECTION COMPLETE 2.3 BAR | 1 | AUX313494 | ■ | |
| 778 | ◆ | SOUPAPE DE PROTECTION COMPLETE 2.5 BAR | 1 | AUX313473 | ■ | |
| 759 | | RONDELLE ETANCHE | (1) | | | |
| 761 | | SOUPAPE DE PROTECTION | (1) | | | ● |

| | | | | | | |
|--------------------|---|---|-----|-----------|---|--|
| KIT BASIQUE | | | | | | |
| | ◆ | KIT BASIQUE SPS | 1 | AUX320000 | ■ | |
| | ◆ | KIT BASIQUE SPR | 1 | AUX320001 | ■ | |
| 96 | ◆ | FILTRE A HUILE COMPLET MX12_MH6 | 1 | AUX319999 | ■ | |
| 30 | | JOINT | (1) | | | |
| 57 | | FILTRE A HUILE | (1) | | | |
| 152B | ◆ | ENSEMBLE GAINE THERMO RETRACTABLE | 1 | AUX320012 | | |
| 152A | | GAINE THERMO RETRACTABLE | (2) | | | |
| 846 | | RACCORD COUDE | (2) | | | |
| 1518 | ◆ | KIT RADIATEUR HUILE | (1) | AUX318821 | | |
| 1913 | ◆ | KIT CONDUIT ASPIRATION DROIT (SPS) | (1) | AUX319978 | | |
| 1913 | ◆ | KIT CONDUIT ASPIRATION TOURNANT (SPR) | (1) | AUX319979 | | |
| 116 | | JOINT TORIQUE | (2) | | | |
| 117 | | CONDUIT ASPIRATION (SPS) | (1) | | | |
| 117 | | COUDE ASPIRATION (SPR) | (1) | | | |
| 120 | | VIS | (4) | | | |
| 860 | | RONDELLE | (4) | | | |
| 1511 | ◆ | COUVERCLE ASPIRATION | 1 | AUX236629 | | |
| 1514 | | BRIDE | (2) | | | |
| 1914 | ◆ | BRIDE DE REFOULEMENT AVEC JOINT ET VISSERIE | (1) | AUX319980 | | |
| 140 | | COUDE REFOULEMENT | (1) | | | |
| 141 | | JOINT PLAT REFOULEMENT MX12 | (1) | | | |
| 142 | | VIS | (2) | | | |
| 142A | | VIS | (2) | | | |
| 144 | | RONDELLE | (4) | | | |

ACCESSOIRES

* 1, 2, 4... : Quantité dans le matériel - (1), (2), (4)... : Quantité dans le kit

** Non montré sur les éclatés

| Repère | Vendable | Description | Qté* | Ref. | Kit maintenance | Pièce usure |
|------------------------------|----------|---|------|-----------|-----------------|-------------|
| KIT CHAUD / KIT FROID | | | | | | |
| | ◆ | KIT CHAUD DROIT | 1 | AUX320002 | ■ | |
| | ◆ | KIT CHAUD COUDE | 1 | AUX320003 | ■ | |
| | ◆ | KIT FROID DROIT | 1 | AUX320004 | ■ | |
| | ◆ | KIT FROID COUDE | 1 | AUX320005 | ■ | |
| 155 | ◆ | KIT FILTRE A AIR PSD10 DROIT | 1 | AUX320040 | | |
| 155 | ◆ | KIT FILTRE A AIR PSD10 COUDE | 1 | AUX319526 | | |
| 152 | | REDUCTION FILTRE A AIR FC10 | (1) | | | |
| 164 | | TUYAU | (1) | | | |
| 165 | | COLLIER | (2) | | | |
| 166 | | COLLIER | (2) | | | |
| 258A | ◆ | FILTRE A AIR POWERCORE | 1 | AUX225619 | | |
| 456 | | VIS | (4) | | | |
| 457 | | RONDELLE | (4) | | | |
| 588 | ◆ | ENSEMBLE INDICATEUR DE COLMATAGE | 1 | AUX314669 | ■ | |
| 158 | | INDICATEUR DE COLMATAGE | (1) | | | |
| 377 | | SUPPORT | (1) | | | |
| 393 | | RACCORD | (1) | | | |
| 408 | | RONDELLE | (2) | | | |
| 438 | | VIS | (2) | | | |
| 574 | | TUYAU | (1) | | | |
| 578 | | COUDE 90° | (1) | | | |
| 1878 | | ADAPTATEUR | (1) | | | |
| 884 | | MANCHON DE RACCORDEMENT (KIT DROIT) | (1) | | | |
| 884 | | COUDE (KIT COUDE) | (1) | | | |
| 960 | ◆ | ENSEMBLE CAPOT ASPIRATION | 1 | AUX315087 | | |
| 961 | ◆ | ENSEMBLE FIXATION CAPOT ASPIRATION | 1 | AUX315086 | | |
| 962 | | BAGUE | (4) | | | |
| 963 | | ENTRETOISE | (4) | | | |
| 964 | | VIS | (4) | | | |
| 965 | | RONDELLE | (4) | | | |
| 966 | | ECROU | (4) | | | |
| 967 | | CAPOT ASPIRATION | (1) | | | |
| 307 | ◆ | KIT SILENCIEUX (KIT CHAUD) (119+216+1816+1823+1879+1880) (2) | 1 | AUX315554 | | |
| 1816 | | JOINT PLAT | 2 | AUX220562 | | |
| 175 | ◆ | ECHANGEUR COMPLET (KIT FROID) | 1 | AUX322600 | | |
| 365 | ◆ | CARTER ASPIRATION ECHANGEUR | 1 | AUX230413 | | |
| 553 | ◆ | VENTILATEUR AXIAL 24 VDC | 1 | AUX241118 | ■ | |
| 700 | ◆ | JOINT PLAT | 1 | AUX224729 | | |
| 735** | | ECROU | (2) | | | |
| 792** | | VIS | (2) | | | |
| 793** | | VIS | (1) | | | |
| 794** | | RONDELLE | (3) | | | |
| 1858 | ◆ | ECHANGEUR | 1 | AUX224622 | | |
| 1859 | | VIS | (4) | | | |
| 1860 | | ECROU | (4) | | | |
| 1861 | | RONDELLE | (8) | | | |
| 1862 | | VIS | (6) | | | |
| 1863 | | ECROU | (6) | | | |
| 1864 | | RONDELLE | (12) | | | |
| 594 | ◆ | KIT CHAISE | 1 | AUX320015 | | |

(2) Repère 1823 à n'utiliser que si le combiné clapet soupape de protection est flasqué sur le silencieux.

| LIMITEUR DE COUPLE | | | | | | |
|---------------------------|---|--|----------|------------------|----------|----------|
| 124 | ◆ | LIMITEUR DE COUPLE 800 NM COMPLET | 1 | AUX317145 | ■ | ● |
| 125 | | LIMITEUR DE COUPLE | (1) | | | |
| 132 | | ENTRETOISE | (1) | | | |