

**PARTS LIST**  
**SCREW COMPRESSORS**  
**MX12**

Keep this parts lists with Installation, Operation and Maintenance Instructions.

To order the required spare parts, indicate the desired Reference(s).

- ◆ Sets of parts or parts available to order.

**[PSM] : ONLY FOR MOUVEX SERVICE POINTS**

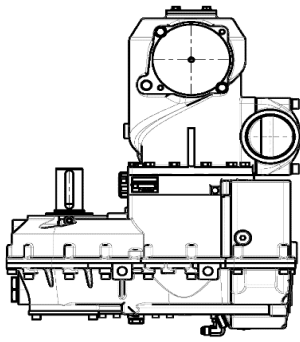
Z.I. la Plaine des Isles - 2 rue des Caillottes F-89000 AUXERRE - France

Tél : +33 (0)3 86 49 86 30

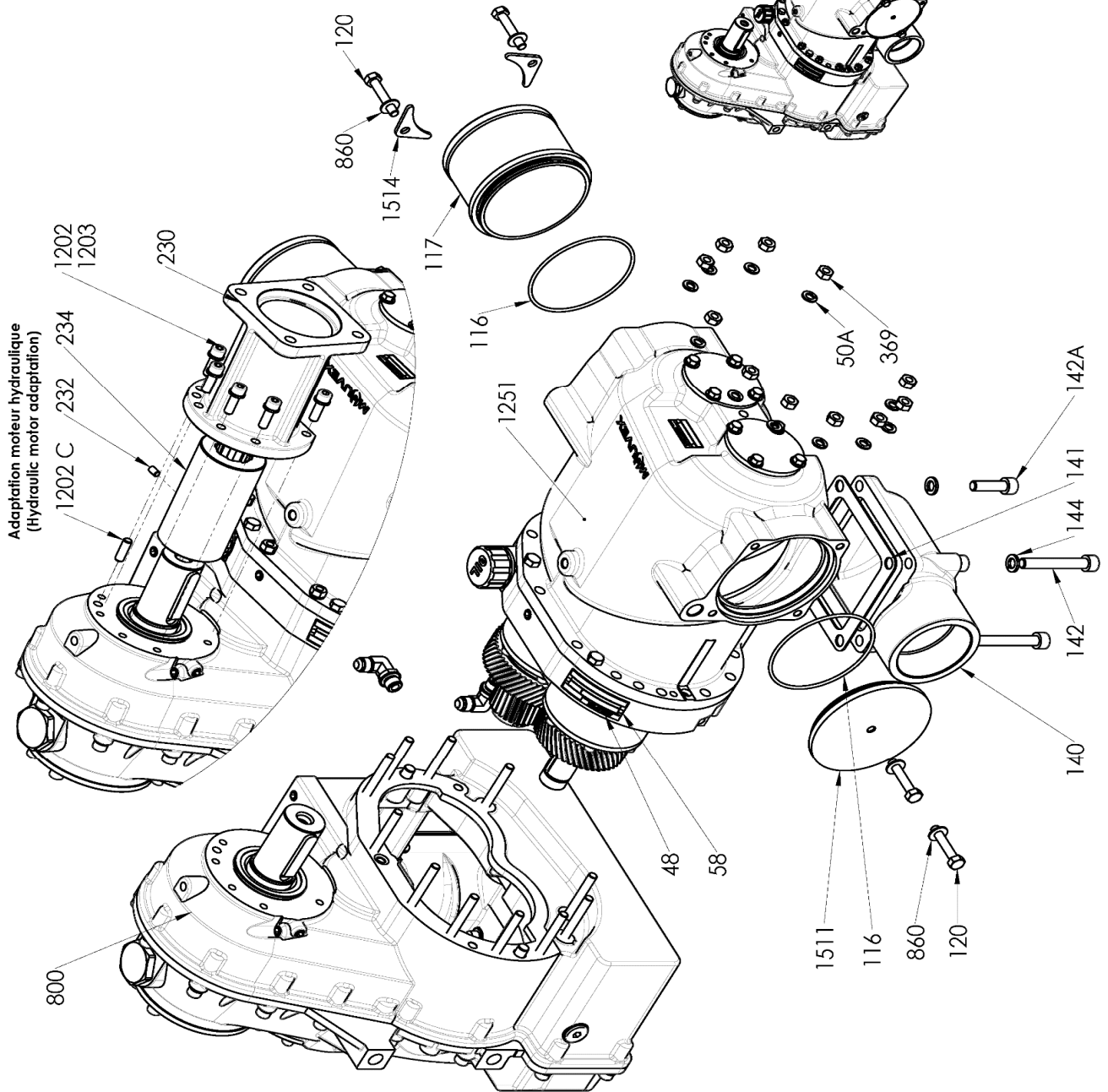
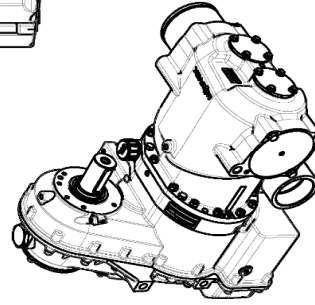
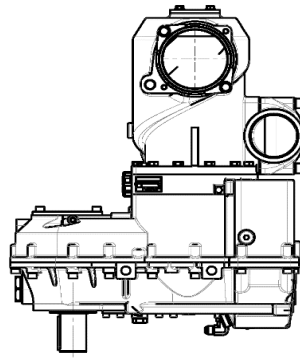
contact.mouvex@psgdover.com • www.mouvex.com

# MX12

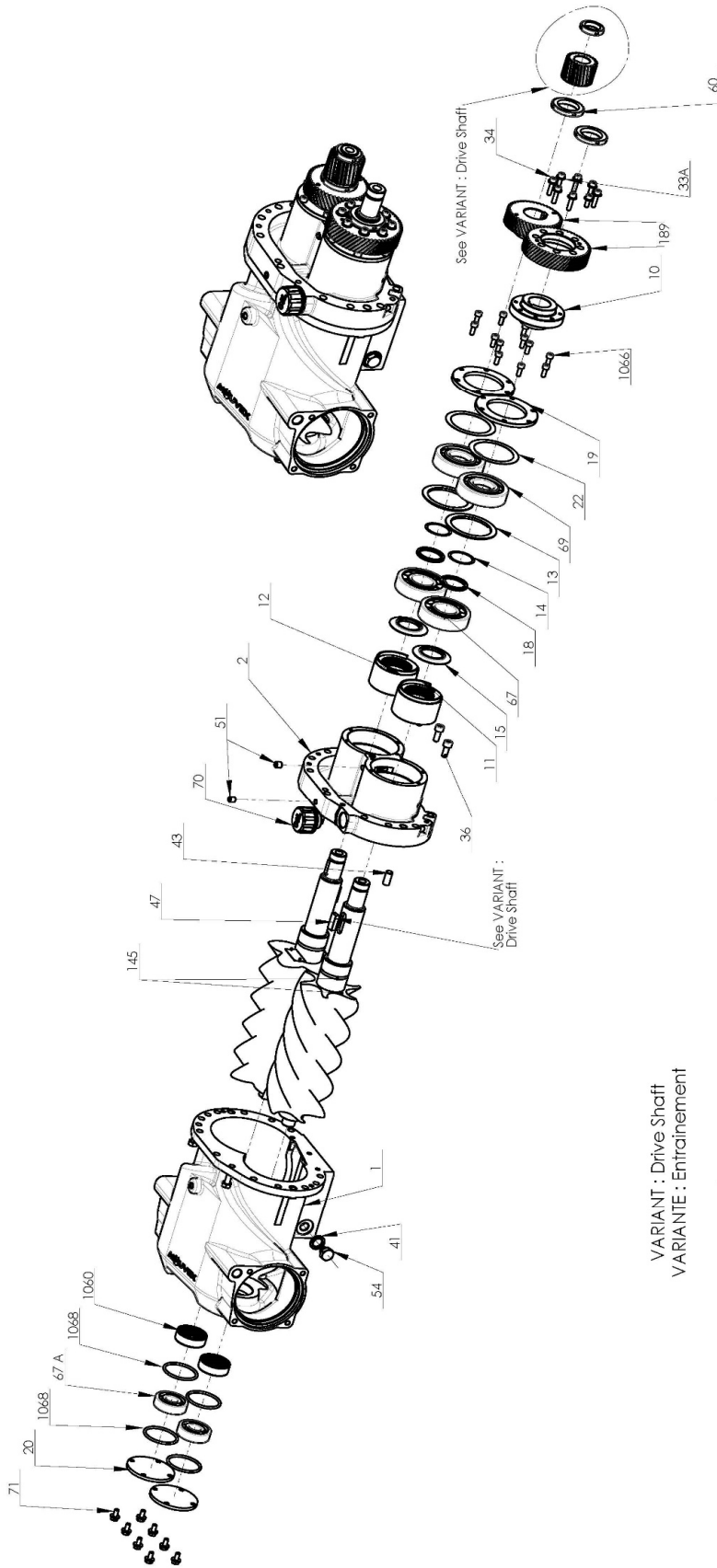
VERSION S



VERSION N

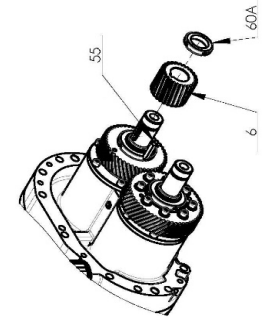


# COMPRESSION BLOCK

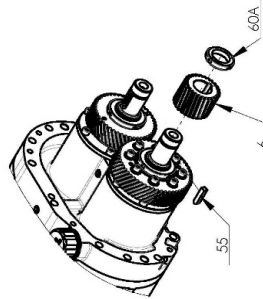


VARIANT : Drive Shaft  
 VARIANTE : Entraînement

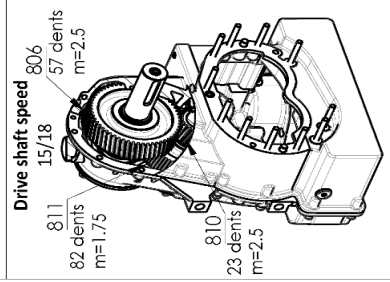
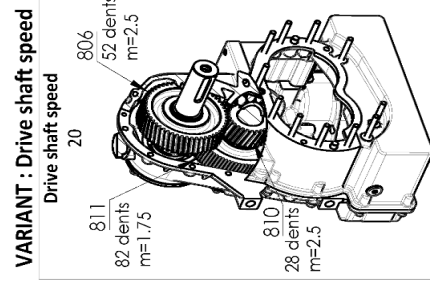
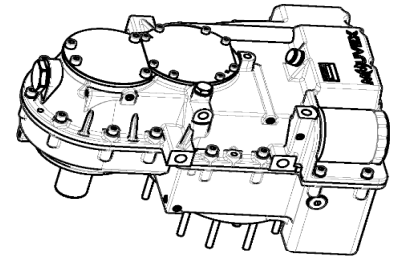
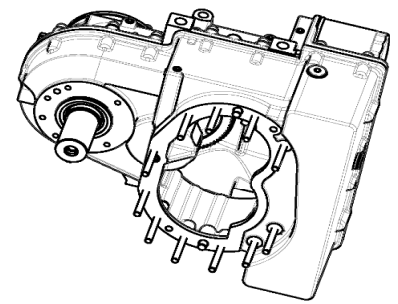
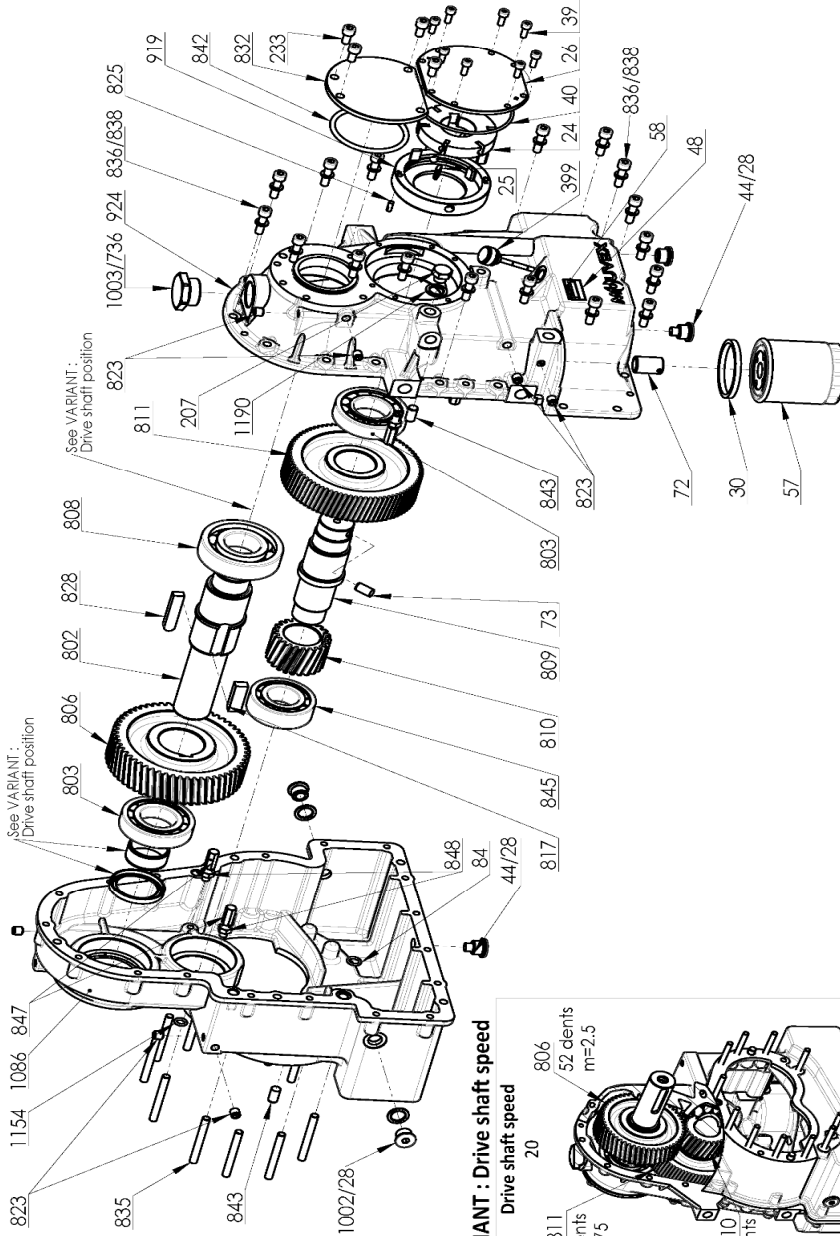
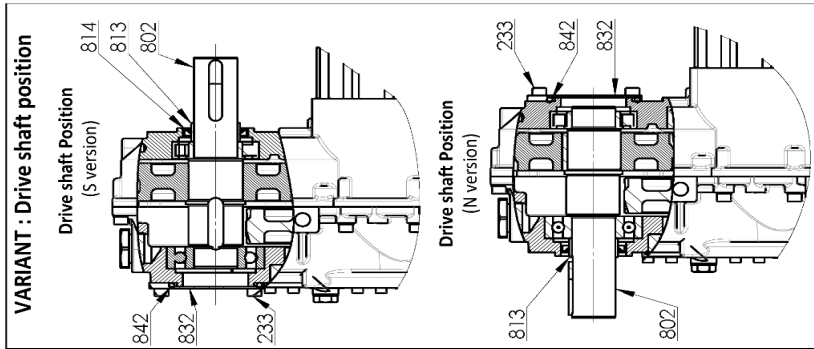
Drive Shaft - MS  
 Entraînement Vis Male  
 (versions S-18L, N-18R, N24R et S-24L)



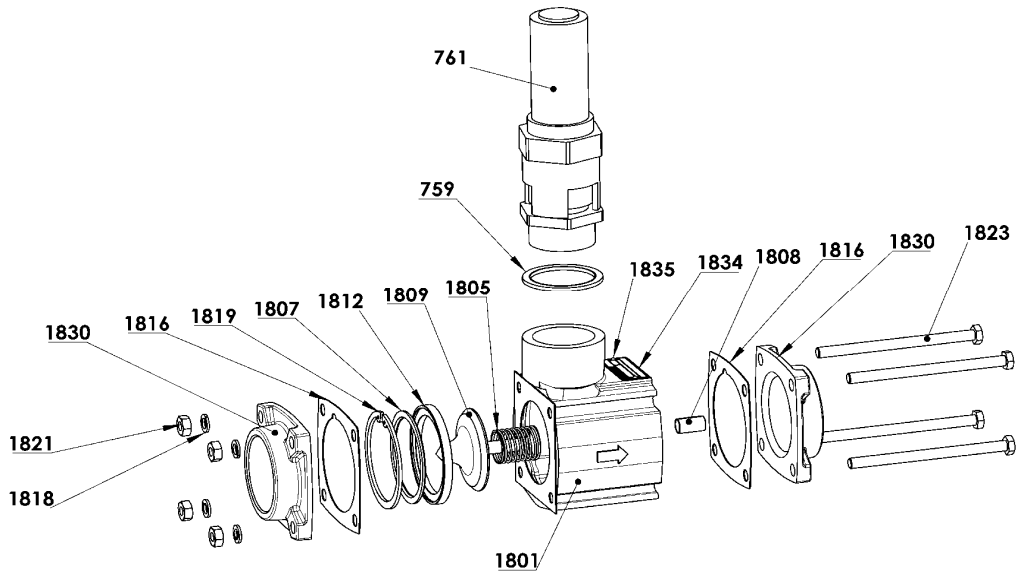
Drive Shaft - FS  
 Entraînement Vis Femelle  
 (versions S-15R, N-15L, N20L et S-20R)



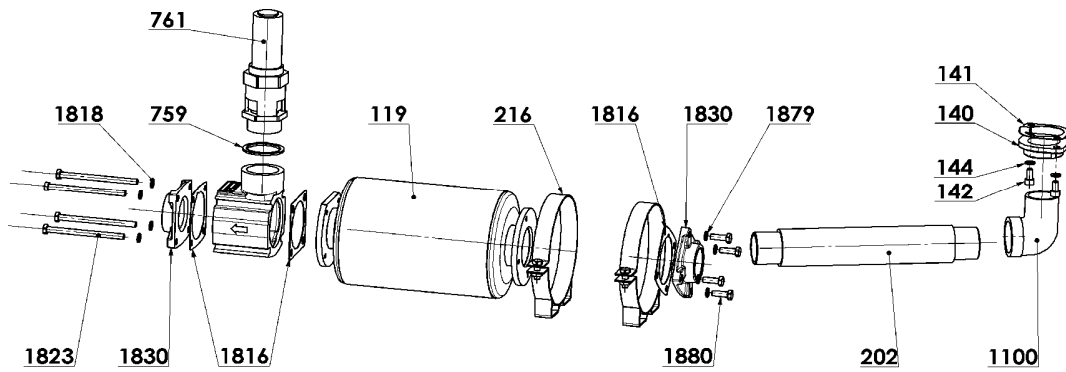
# MULTIPLIER MX12



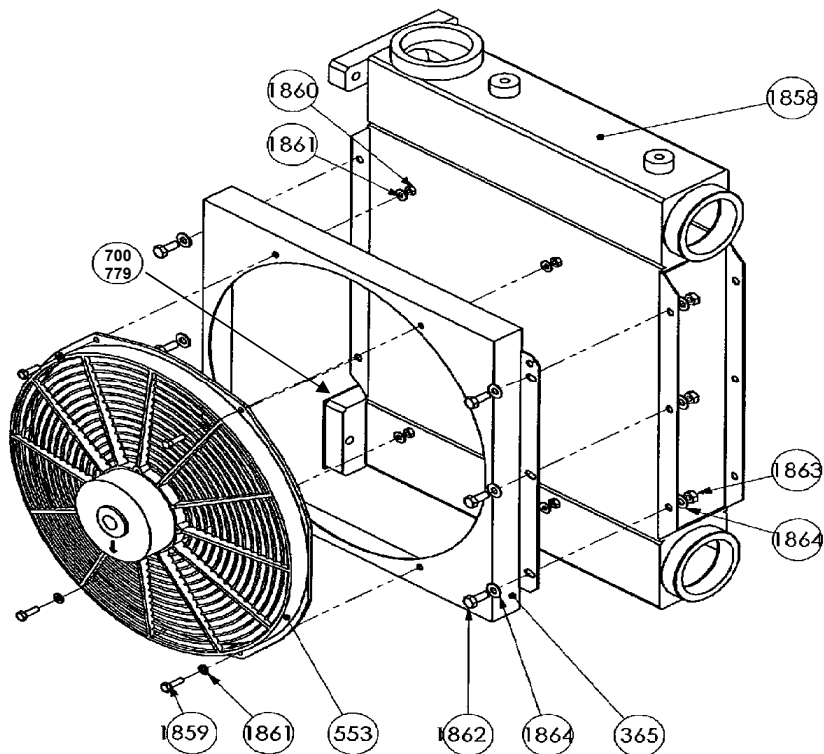
## CHECK RELIEF VALVE



## SILENCER



## INTERCOOLER



# MX12

\* 1, 2, 4... : Quantity in equipment - (1), (2), (4)... : Quantity in kit

Item	Available	Description	Qty*	Ref.	Maintenance kit	Wear part
800	◆	MULTIPLIER MX12 N-15L	1	AUX320374	■	
800	◆	MULTIPLIER MX12 S-15R	1	AUX320049	■	
800	◆	MULTIPLIER MX12 N-18R	1	AUX320375	■	
800	◆	MULTIPLIER MX12 S-18L	1	AUX320050	■	
800	◆	MULTIPLIER MX12 N-20L	1	AUX320376	■	
800	◆	MULTIPLIER MX12 S-20R	1	AUX320051	■	
800B		MULTIPLIER MX12 20R 24L	(1)			
28		SEAL WASHER	(4)			
44	◆	MAGNETIC PLUG	1	AUX215228		
44B		PLUG	(1)			
59	◆	LIP SEAL	1	AUX219688		●
72		RING	(1)			
84		O-RING	(1)			
92	◆	OIL PUMP	1	AUX322636		
24		ROTOR	(1)			
25A	◆	SET OF 6 VANES FOR OIL PUMP	1	AUX320071	■	
25		VANE	(6)			●
26		COVER	(1)			
39		SCREW	(8)			
40		SEAL	(1)			
73		PIN	(1)			
919		BODY	(1)			
207		PLUG	(1)			
399	◆	PLUG WITH OIL GAUGE	1	AUX243451	■	●
736		SEAL WASHER	(1)			
802		INLET SHAFT	(1)			
806		WHEEL	(1)			
809		SECONDARY SHAFT	(1)			
810		GEAR	(1)			
811		WHEEL	(1)			
813	◆	SEAL RING	1	AUX236934		●
816	◆	PLUG ASSEMBLY	1	AUX322637		
817		KEY	(1)			
823		PLUG	(9)			
825		PIN	(1)			
828		KEY	(1)			
835		STUD	(11)			
836		SCREW	(19)			
838		WASHER	(19)			
843		PIN	(4)			
847		NOZZLE	(4)			
848		NUT	(4)			
924	◆	FRONT HALF HOUSING	1	AUX245798		
1002		PLUG	(3)			
1003		PLUG	(1)			
1086		HALF REAR HOUSING	(1)			
1154		SEAL	(1)			
1164	◆	BEARINGS KIT -MULTIPLIER- MX12 [PSM]	1	AUX321399		
803		ROLLER BEARING	(2)			
808		BALL BEARING	(1)			
845		ROLLER BEARING	(1)			
1190		SEAL	(1)			
1411		PLUG	(1)			
1528		SEAL WASHER	(1)			

# MX12

\* 1, 2, 4... : Quantity in equipment - (1), (2), (4)... : Quantity in kit

Item	Available	Description	Qty*	Ref.	Maintenance kit	Wear part
469	◆	HYDRAULIC MOTOR ADAPTER ASSEMBLY	1	AUX322338	■	
28		PIN	(1)			
44		SCREW	(1)			
44B		HYDRAULIC DRIVE HUB	(1)			
59		SPACER	(1)			●
72		WASHER	(6)			
92		SCREW	(6)			
437A	◆	COMPLETE FRONT HALF MULTIPLIER HOUSING	1	AUX320536	■	
28		SEAL WASHER	(1)			
44	◆	MAGNETIC PLUG	1	AUX215228		
57 (1)	◆	OIL FILTER ASSEMBLY MX12_MH6	1	AUX319999	■	●
30		SEAL	(1)			
57A		OIL FILTER	(1)			
72		RING	(1)			
207		PLUG	(1)			
399	◆	PLUG WITH OIL GAUGE	1	AUX243451		
736		SEAL WASHER	(1)			
823		PLUG	(5)			
825		PIN	(1)			
836		SCREW	(19)			
838		WASHER	(19)			
847		NOZZLE	(2)			
848		NUT	(2)			
924	◆	FRONT HALF HOUSING	1	AUX245798		
1003		PLUG	(1)			
1190		SEAL	(1)			
939	◆	REPAIR KIT INLET SHAFT FOR MX12 S 15R 18L (NOT ASSEMBLED) [PSM]	1	AUX321932		
802		INLET SHAFT	(1)			
803		ROLLER BEARING	(1)			
806		WHEEL 57 TEETH	(1)			
808		BALL BEARING	(1)			
813	◆	SEAL RING	1	AUX236934		
814	◆	LIP SEAL	1	AUX219688		
817		KEY	(1)			
828		KEY	(1)			
842	◆	PLUG	1	AUX243373		
939	◆	REPAIR KIT INLET SHAFT FOR MX12 S 20R (NOT ASSEMBLED) [PSM]	1	AUX321729		
802		INLET SHAFT	(1)			
803		ROLLER BEARING	(1)			
806		WHEEL 52 TEETH	(1)			
808		BALL BEARING	(1)			
813	◆	SEAL RING	1	AUX236934		
814	◆	LIP SEAL	1	AUX219688		
817		KEY	(1)			
828		KEY	(1)			
842	◆	PLUG	1	AUX243373		
939	◆	REPAIR KIT INLET SHAFT FOR MX12 N 20L (NOT ASSEMBLED) [PSM]	1	AUX322585		
802		INLET SHAFT	(1)			
803		ROLLER BEARING	(1)			
806		WHEEL 52 TEETH	(1)			
808		BALL BEARING	(1)			
813	◆	SEAL RING	1	AUX236934		
814	◆	LIP SEAL	1	AUX219688		
817		KEY	(1)			
828		KEY	(1)			
842	◆	PLUG	1	AUX243373		
948	◆	BUSHINGS KIT MX12 [PSM]	1	AUX321896		
1060		BRONZE SEAL	(2)			
11		BRONZE SEAL (RIGHT) (11 AND 12A)	(1)			
12		BRONZE SEAL (LEFT) (11A AND 12)	(1)			

# MX12

\* 1, 2, 4... : Quantity in equipment - (1), (2), (4)... : Quantity in kit

Item	Available	Description	Qty*	Ref.	Maintenance kit	Wear part
955	◆	<b>SERVICE KIT B MX12 (NOT ASSEMBLED) [PSM]</b>	1	AUX321897		
14		SET OF SHIMS	(2)			
22		SET OF SHIMS	(2)			
67		BALL BEARING	(2)			
69		THRUST BALL BEARING	(2)			
1031	◆	<b>BEARING KIT MX12 (67A_1068) [PSM]</b>	1	AUX320422		
67A		BALL BEARING	(2)			
1068		O-RING	(4)			
1154		SEAL	(1)			
1073	◆	<b>SET OF O' RING SEALS -MULTIPLIER- MX12</b>	1	AUX320072	■	
28		SEAL WASHER	(5)			
40		SEAL	(1)			
59	◆	LIP SEAL	1	AUX219688		●
84		O-RING	(1)			●
116		O-RING	(2)			●
141		DISCHARGE GASKET	(1)			●
736		SEAL WASHER	(1)			
1068		O-RING	(4)			
1154		SEAL	(1)			
1190		SEAL	(1)			
1198	◆	<b>SET OF PLUGS AND GASKETS FOR MULTIPLIER</b>	1	AUX320070	■	
28		SEAL WASHER	(5)			
44	◆	MAGNETIC PLUG	2	AUX215228		
1002		PLUG	(3)			
1165	◆	<b>SET GEAR_NUT_KEY MX12</b>	1	AUX320069	■	
6		GEAR 26 TEETH	(1)			
55		KEY	(1)			
60A		NUT	(1)			
1167	◆	<b>SET OF KEYS</b>	1	AUX320068	■	
55		KEY	(1)			
828		KEY	(1)			

**(1) Only use filters recommended by MOUVEX in order to guarantee the proper functioning of the compressor.  
This is equipped with a hightemperature resistant special seal.**

# MX12

\* 1, 2, 4... : Quantity in equipment - (1), (2), (4)... : Quantity in kit

Item	Available	Description	Qty*	Ref.	Maintenance kit	Wear part
1251	◆	COMPRESSION BLOCK MX12 15R_20R	1	AUX319976		
1251	◆	COMPRESSION BLOCK MX12 18L_24L	1	AUX319977		
675		RIVET	(2)			
840A		SERIAL NUMBER PLATE	(1)			
1250		COMPRESSION BLOCK	(1)			
1		CASING	(1)			
36B		SCREW	(2)			
41		SEAL	(1)			
54		PLUG	(1)			
447		OBTURATOR	(2)			
950	◆	BEARING PLATE KIT_MALE DRIVE MX12 18L_24L	1	AUX321397		
951	◆	BEARING PLATE KIT_FEMALE DRIVE MX12 15R_20R	1	AUX321398		
2		FLANGE	(1)			
6		GEAR 26 TEETH	(1)			
19		BEARING FLANGE	(2)			
36		SCREW	(3)			
43		PIN	(2)			
51		PLUG	(3)			
55		KEY	(1)			
60A		NUT	(1)			
70	◆	BREATHER	1	AUX240106		
145	◆	SET OF SCREWS MX12 [PSM]	1	AUX318766	■	
970	◆	BEARING KIT MX12 [PSM]	1	AUX321393		
13		SPACER	(2)			
14	◆	SET OF SHIMS KIT MX12 [PSM]	1	AUX321395		
14A		SET OF SHIMS	(2)			
22		SET OF SHIMS	(2)			
15		CENTRIFUGATION DISK	(2)			
18		SPACER	(2)			
67		ROLLER BEARING	(2)			
69		THRUST BALL BEARING	(2)			
1163	◆	BUSHINGS KIT FOR BEARING PLATE MX12 [PSM]	1	AUX319157		
11		BRONZE SEAL	(1)			
12		BRONZE SEAL	(1)			
1165	◆	SYNCHRONIZATION GEARS KIT MX12 [PSM]	1	AUX321392		
10		BRACKET	(1)			
33A		WASHER	(8)			
34		SCREW	(8)			
47		KEY	(2)			
60		BEARING NUT	(2)			
189	◆	SYNCHRONIZATION GEARS MX12	(1)	AUX318767		
1066		SCREW	(12)			
971	◆	SEALING BEARINGS KIT FOR MX12 BODY	1	AUX321396		
20		BEARING CAP	(2)			
71		SCREW	(8)			
1031	◆	BEARING KIT MX12 (67A_1068) [PSM]	1	AUX320422		
67A		BALL BEARING	(2)			
1068		O-RING	(4)			
1060		BRONZE SEAL	(2)			
116A	◆	SET OF O RING SEALS AND BREATHER COMPRESSION BLOCK	1	AUX320081	■	
41		SEAL	(1)			
70	◆	BREATHER	1	AUX240106		
116		O-RING	(2)			●
141		DISCHARGE GASKET	(1)			●

# MX12

\* 1, 2, 4... : Quantity in equipment - (1), (2), (4)... : Quantity in kit

Item	Available	Description	Qty*	Ref.	Maintenance kit	Wear part
1534	◆	CAN OF 10 LITRES (BSC3 OIL)	1	AUX316304		●
1535	◆	CAN OF 30 LITRES (BSC3 OIL)	1	AUX316305	■	●
1536	◆	CAN OF 208 LITRES (BSC3 OIL)	1	AUX316492		●
1537	◆	CAN OF 1 LITRE (BSC3 OIL)	1	AUX316301		●
1538	◆	CAN OF 2 LITRES (BSC3 OIL)	1	AUX316302		●
1539	◆	CAN OF 5 LITRES (BSC3 OIL)	1	AUX316303		●
1551D	◆	<b>COMPLETE CASING</b>	1	AUX320537	■	
1		CASING	(1)			
20		BEARING COVER	(2)			
36		SCREW	(5)			
36B		SCREW	(5)			
41		SEAL	(1)			
54		PLUG	(1)			
71		SCREW	(8)			
141		MX12 DISCHARGE GASKET	(1)			
1031	◆	BEARING KIT MX12 (67A_1068) [PSM]	1	AUX320422		
67A		BALL BEARING	(2)			
1068		O-RING	(4)			
1632	◆	<b>TOOLS FOR MX12 814 LIP SEALS ASSEMBLING</b>				
		TOOL LIP SEALS ASSEMBLING		AUX241661		
1632A	◆	TOOL LIP SEALS ASSEMBLING SLEEVE		AUX241662		
1655	◆	<b>CONVERSION KIT FOR 15R TO 20R (NOT ASSEMBLED)</b>	1	AUX320531	■	
802		INLET SHAFT	(1)			
803		ROLLER BEARING	(2)			
806		WHEEL 52 TEETH	(1)			
808		BALL BEARING	(1)			
809		SECONDARY SHAFT	(1)			
810		GEAR 28 TEETH	(1)			
811		WHEEL 82 TEETH	(1)			
813	◆	SEAL RING	1	AUX236934		
817		KEY	(1)			
828		KEY	(1)			
843		PIN	(4)			
845		ROLLER BEARING	(1)			
1656	◆	<b>CONVERSION KIT FOR 20R TO 15R (NOT ASSEMBLED)</b>	1	AUX320532	■	
802		INLET SHAFT	(1)			
803		ROLLER BEARING	(2)			
806		WHEEL 57 TEETH	(1)			
808		BALL BEARING	(1)			
809		SECONDARY SHAFT	(1)			
810		GEAR 23 TEETH	(1)			
811		WHEEL 82 TEETH	(1)			
813	◆	SEAL RING	1	AUX236934		
817		KEY	(1)			
828		KEY	(1)			
843		PIN	(4)			
845		ROLLER BEARING	(1)			

# ACCESSORIES

\* 1, 2, 4... : Quantity in equipment - (1), (2), (4)... : Quantity in kit

\*\* Not shown on drawings

Item	Available	Description	Qty*	Ref.	Maintenance kit	Wear part
<b>CHECK RELIEF VALVE</b>						
524	◆	CHECK RELIEF VALVE 2.5" 2 BAR	1	AUX316101	■	
524	◆	CHECK RELIEF VALVE 2.5" 2.3 BAR	1	AUX316099	■	
524	◆	CHECK RELIEF VALVE 2.5" 2.5 BAR	1	AUX316103	■	
761		RELIEF VALVE	(1)			
1801		CHECK VALVE CASING	(1)			
1879	◆	SEALS_SCREWS KIT FOR CHECK VALVE	1	AUX314413	■	
759		SEAL WASHER	(1)			
1816	◆	GASKET FLANGE	2	AUX220562	■	
1818		WASHER	(4)			
1821		NUT	(4)			
1823		SCREW	(4)			
1880	◆	SEALING KIT FOR CHECK VALVE	1	AUX314412	■	
1805	◆	SPRING	1	AUX220708		
1807		WASHER	(1)			
1808		BUSH	(1)			
1812	◆	SEAL	1	AUX220525	■	●
1819		CIRCLIPS	(1)			
1809		VALVE	(1)			
1830	◆	FLANGE 2.5" BSP	2	AUX227439		
1834		SERIAL NUMBER PLATE	(1)			
1835		RIVET	(2)			
778	◆	COMPLETE RELIEF VALVE 2 BAR	1	AUX313477	■	
778	◆	COMPLETE RELIEF VALVE 2.3 BAR	1	AUX313494	■	
778	◆	COMPLETE RELIEF VALVE 2.5 BAR	1	AUX313473	■	
759		SEAL WASHER	(1)			
761		RELIEF VALVE	(1)			●

<b>BASIC KIT</b>						
	◆	BASIC KIT SPS	1	AUX320000	■	
	◆	BASIC KIT SPR	1	AUX320001	■	
96	◆	OIL FILTER ASSEMBLY MX12_MH6	1	AUX319999	■	
30		SEAL	(1)			
57		OIL FILTER	(1)			
152B	◆	HEAT SHRINKABLE SLEEVE KIT	1	AUX320012		
152A		HEAT SHRINKABLE SLEEVE	(2)			
846		ELBOW CONNECTOR	(2)			
1518	◆	OIL RADIATOR KIT	(1)	AUX318821		
1913	◆	KIT SUCTION PIPE STRAIGHT (SPS)	(1)	AUX319978		
1913	◆	KIT SUCTION PIPE ROTARY (SPR)	(1)	AUX319979		
116		O-RING	(2)			
117		SUCTION PIPE (SPS)	(1)			
117		SUCTION ELBOW (SPR)	(1)			
120		SCREW	(4)			
860		WASHER	(4)			
1511	◆	SUCTION COVER	1	AUX236629		
1514		CLAMP	(2)			
1914	◆	DISCHARGE FLANGE WITH SEAL AND SCREWS	(1)	AUX319980		
140		DISCHARGE ELBOW	(1)			
141		MX12 DISCHARGE GASKET	(1)			
142		SCREW	(2)			
142A		SCREW	(2)			
144		WASHER	(4)			

# ACCESSORIES

\* 1, 2, 4... : Quantity in equipment - (1), (2), (4)... : Quantity in kit

\*\* Not shown on drawings

Item	Available	Description	Qty*	Ref.	Maintenance kit	Wear part
<b>HOT KIT / COLD KIT</b>						
	◆	HOT KIT STRAIGHT	1	AUX320002	■	
	◆	HOT KIT ELBOW	1	AUX320003	■	
	◆	COLD KIT STRAIGHT	1	AUX320004	■	
	◆	COLD KIT ELBOW	1	AUX320005	■	
155	◆	AIR FILTER KIT PSD10 STRAIGHT	1	AUX320040		
155	◆	AIR FILTER KIT PSD10 ELBOW	1	AUX319526		
152		AIR FILTER FC10 REDUCER	(1)			
164		HOSE	(1)			
165		HOSE CLAMP	(2)			
166		HOSE CLAMP	(2)			
258A	◆	POWERCORE FILTER	1	AUX225619		
456		SCREW	(4)			
457		WASHER	(4)			
588	◆	RESTRICTION INDICATOR ASSEMBLY	1	AUX314669	■	
158		RESTRICTION INDICATOR	(1)			
377		BRACKET	(1)			
393		CONNECTOR	(1)			
408		WASHER	(2)			
438		SCREW	(2)			
574		HOSE	(1)			
578		ELBOW 90°	(1)			
1878		ADAPTATER	(1)			
884		STRAIGHT HUMP (KIT STRAIGHT)	(1)			
884		ELBOW (KIT ELBOW)	(1)			
960	◆	SUCTION COVER ASSEMBLY	1	AUX315087		
961	◆	SUCTION COVER FASTENING ASSEMBLY	1	AUX315086		
962		RING	(4)			
963		SPACER	(4)			
964		SCREW	(4)			
965		WASHER	(4)			
966		NUT	(4)			
967		SUCTION COVER	(1)			
307	◆	SILENCER ASSEMBLY (HOT KIT) (119+216+1816+1823+1879+1880) (2)	1	AUX315554		
1816		GASKET	2	AUX220562		
175	◆	INTERCOOLER ASSEMBLY (COLD KIT)	1	AUX322600		
365	◆	INTERCOOLER SUCTION COVER	1	AUX230413		
553	◆	AXIAL FAN 24 VDC	1	AUX241118	■	
700	◆	GASKET	1	AUX224729		
735**		NUT	(2)			
792**		SCREW	(2)			
793**		SCREW	(1)			
794**		WASHER	(3)			
1858	◆	INTERCOOLER	1	AUX224622		
1859		SCREW	(4)			
1860		NUT	(4)			
1861		WASHER	(8)			
1862		SCREW	(6)			
1863		NUT	(6)			
1864		WASHER	(12)			
594	◆	HOLDER KIT	1	AUX320015		

(2) Item 1823 to be used only if the check relief valve is flanged on the silencer.

<b>TORQUE LIMITER</b>						
<b>124</b>	◆	<b>COMPLETE TORQUE LIMITER 800 NM</b>	<b>1</b>	<b>AUX317145</b>	<b>■</b>	<b>●</b>
125		TORQUE LIMITER	(1)			
132		SPACER	(1)			