



P.L. : 1013-H01

Effective
Replaces

July 2024
April 2023

PARTS LIST

PUMPS

H-FLO 11 S - H-FLO 15 S
H-FLO 25 S - H-FLO 40 S - H-FLO 50 S
H-FLO 65 S - H-FLO 65 HP

Keep this parts lists with Installation, Operation and Maintenance Instructions.

To order the required spare parts, indicate the desired Reference(s).

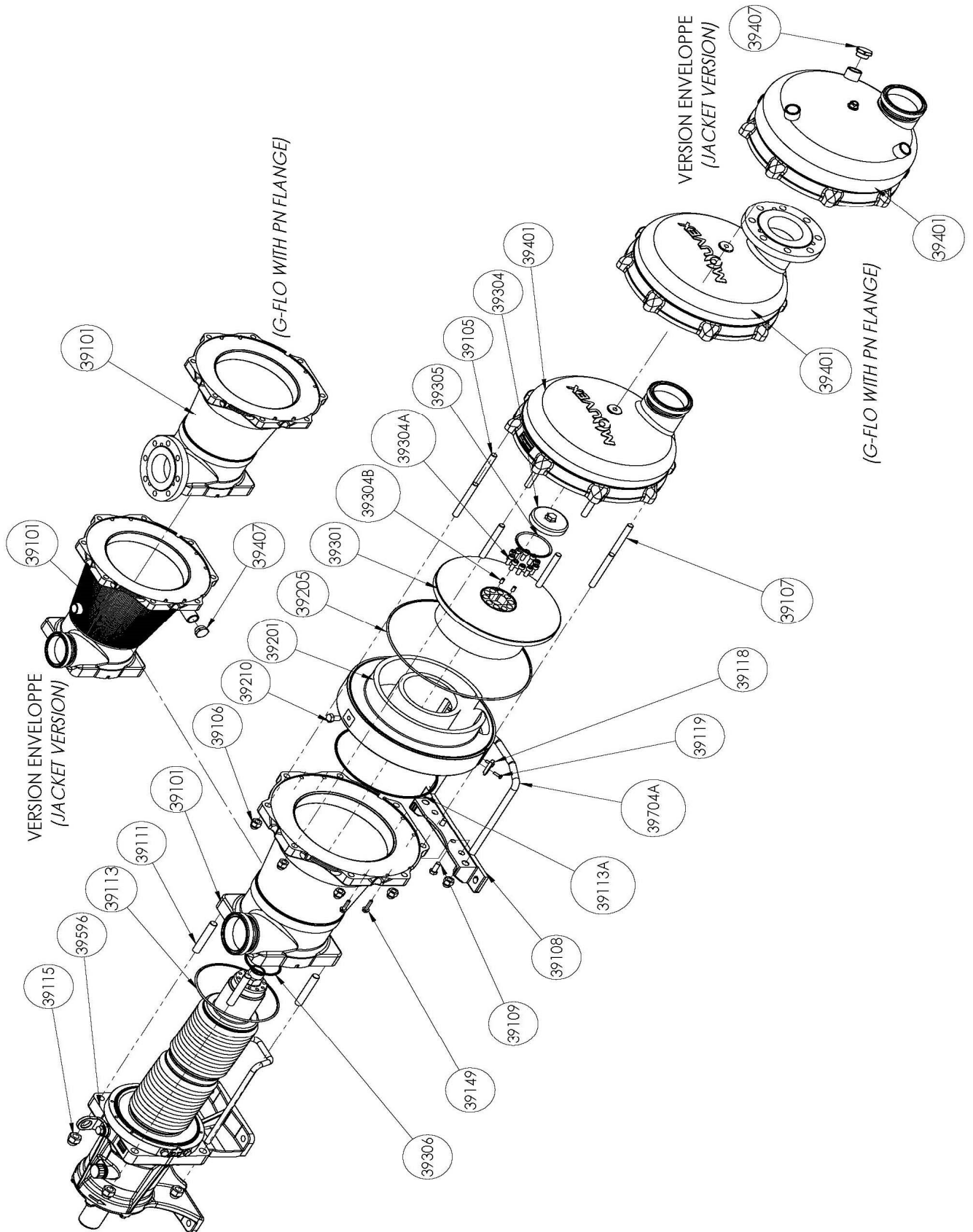
◆ Sets of parts or parts available to order.

CVT : FEP encapsulated FKM

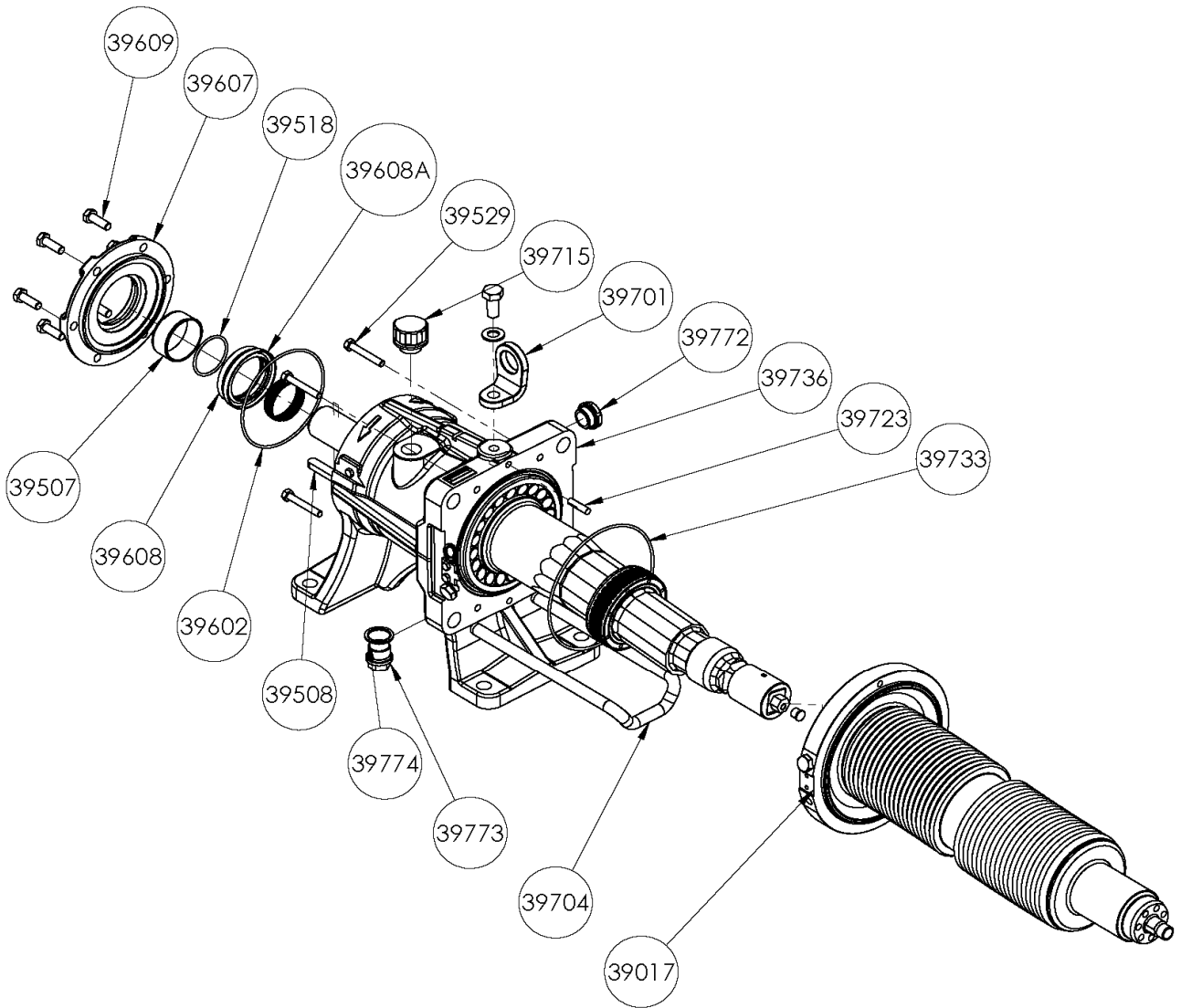
Z.I. la Plaine des Isles - 2 rue des Caillottes F-89000 AUXERRE - France

Tel : +33 (0)3 86 49 86 30 • Fax : +33 (0)3 86 49 87 17
contact.mouvex@psgdover.com • www.mouvex.com

H-FLO 11 S - H-FLO 15 S - H-FLO 25 S - H-FLO 40 S - H-FLO 50 S - H-FLO 65 S - H-FLO 65 HP
Standard & Jacketed pump



H-FLO 11 S - H-FLO 15 S - H-FLO 25 S - H-FLO 40 S - H-FLO 50 S - H-FLO 65 S - H-FLO 65 HP
Transmission



H-FLO 11 S - H-FLO 15 S

* 1, 2, 4... : Quantity in equipment - (1), (2), (4)... : Quantity in kit

| Item | Available | Description | Qty* | Ref. | Maintenance kit | Wear part |
|--------|-----------|---|------|-----------|-----------------|-----------|
| 39100 | ◆ | MAIN BODY H FLO 11_15 - CONNECTIONS CLAMP ASME-BPE | 1 | AUX321069 | | |
| 39100 | ◆ | MAIN BODY H FLO 11_15 - CONNECTIONS CLAMP ISO 2852 | 1 | AUX321070 | | |
| 39100 | ◆ | MAIN BODY H FLO 11_15 - CONNECTIONS DIN 11851 | 1 | AUX321068 | | |
| 39100 | ◆ | MAIN BODY H FLO 11_15 - CONNECTIONS SMS | 1 | AUX321067 | | |
| 39100 | ◆ | MAIN BODY H FLO 11_15 - CONNECTIONS DIN 11864 | 1 | AUX321071 | | |
| 39100 | ◆ | JACKETED MAIN BODY H FLO 11_15 - CONNECTIONS CLAMP ASME-BPE | 1 | AUX321081 | | |
| 39100 | ◆ | JACKETED MAIN BODY H FLO 11_15 - CONNECTIONS CLAMP ISO 2852 | 1 | AUX321082 | | |
| 39100 | ◆ | JACKETED MAIN BODY H FLO 11_15 - CONNECTIONS DIN 11851 | 1 | AUX321080 | | |
| 39100 | ◆ | JACKETED MAIN BODY H FLO 11_15 - CONNECTIONS SMS | 1 | AUX321079 | | |
| 39100 | ◆ | JACKETED MAIN BODY H FLO 11_15 - CONNECTIONS DIN 11864 | 1 | AUX321083 | | |
| 39100 | ◆ | POLISH MAIN BODY H FLO 11_15 - CONNECTIONS CLAMP ASME-BPE | 1 | AUX321092 | | |
| 39100 | ◆ | POLISH MAIN BODY H FLO 11_15 - CONNECTIONS CLAMP ISO 2852 | 1 | AUX321093 | | |
| 39100 | ◆ | POLISH MAIN BODY H FLO 11_15 - CONNECTIONS DIN 11851 | 1 | AUX321091 | | |
| 39100 | ◆ | POLISH MAIN BODY H FLO 11_15 - CONNECTIONS SMS | 1 | AUX321090 | | |
| 39100 | ◆ | POLISH MAIN BODY H FLO 11_15 - CONNECTIONS DIN 11864 | 1 | AUX321094 | | |
| 39101 | | MAIN BODY | (1) | | | |
| 39108 | | FOOT | (1) | | | |
| 39109 | | SCREW | (2) | | | |
| 39124 | | PLUG (JACKETED PUMP) | (1) | | | |
| 39704A | | BRACKET | (1) | | | |
| 39110 | ◆ | SCREWS SET FOR MAIN BODY_FRONT COVER G_H FLO 11_15 S | 1 | AUX321098 | | |
| 39105 | | STUD | (6) | | | |
| 39106 | | BLIND NUT | (8) | | | |
| 39107 | | STUD | (2) | | | |
| 39111 | | STUD | (4) | | | |
| 39115 | | BLIND NUT | (4) | | | |
| 39149 | | SCREW | (4) | | | |
| 39200 | ◆ | SET CYLINDER_PISTON G_H FLO 11 S | 1 | AUX321201 | ■ | |
| 39200 | ◆ | SET CYLINDER_PISTON G_H FLO 15 S | 1 | AUX321099 | ■ | |
| 39118 | | INDEXER | (1) | | | |
| 39119 | | SCREW | (2) | | | |
| 39201 | | CYLINDER | (1) | | | ● |
| 39210 | | SCREW | (1) | | | |
| 39301 | | PISTON | (1) | | | ● |
| 39304 | ◆ | PISTON NUT G_H FLO 11_15 S | 1 | AUX242575 | | ● |
| 39304A | | SCREW | (7) | | | |
| 39304B | | SCREW | (4) | | | |
| 39206 | ◆ | SET OF CVT CE1935/2004 'O' RING SEALS G_H FLO 11_15 S | 1 | AUX321096 | ■ | |
| 39206 | ◆ | SET OF EPDM CE1935/2004 'O' RING SEALS G_H FLO 11_15 S | 1 | AUX321097 | ■ | |
| 39206 | ◆ | SET OF FKM CE1935/2004 'O' RING SEALS G_H FLO 11_15 S | 1 | AUX321095 | ■ | |
| 39113 | | SEAL | (1) | | | ● |
| 39113A | | SEAL | (1) | | | ● |
| 39205 | | SEAL | (1) | | | ● |
| 39305 | | SEAL | (1) | | | ● |
| 39306 | | SEAL | (1) | | | ● |
| 39401 | ◆ | FRONT COVER H FLO 11_15 - CONNECTION CLAMP ASME BPE-2009 | 1 | AUX321040 | | |
| 39401 | ◆ | FRONT COVER H FLO 11_15 - CONNECTION DIN11864 | 1 | AUX321042 | | |
| 39401 | ◆ | FRONT COVER H FLO 11_15 - CONNECTION CLAMP ISO 2852 | 1 | AUX321041 | | |
| 39401 | ◆ | FRONT COVER H FLO 11_15 - CONNECTION DIN11851 | 1 | AUX321039 | | |
| 39401 | ◆ | FRONT COVER H FLO 11_15 - CONNECTION SMS | 1 | AUX321038 | | |
| 39401 | ◆ | JACKETED FRONT COVER H FLO 11_15 - CONNECTIONS CLAMP ASME-BPE | 1 | AUX321052 | | |
| 39401 | ◆ | JACKETED FRONT COVER H FLO 11_15 - CONNECTIONS CLAMP ISO 2852 | 1 | AUX321053 | | |
| 39401 | ◆ | JACKETED FRONT COVER H FLO 11_15 - CONNECTIONS DIN 11851 | 1 | AUX321051 | | |
| 39401 | ◆ | JACKETED FRONT COVER H FLO 11_15 - CONNECTIONS SMS | 1 | AUX321050 | | |
| 39401 | ◆ | JACKETED FRONT COVER H FLO 11_15 - CONNECTIONS DIN 11864 | 1 | AUX321054 | | |
| 39401 | ◆ | POLISH FRONT COVER H FLO 11_15 - CONNECTIONS CLAMP ASME-BPE | 1 | AUX321058 | | |
| 39401 | ◆ | POLISH FRONT COVER H FLO 11_15 - CONNECTIONS CLAMP ISO 2852 | 1 | AUX321059 | | |
| 39401 | ◆ | POLISH FRONT COVER H FLO 11_15 - CONNECTIONS DIN 11851 | 1 | AUX321057 | | |
| 39401 | ◆ | POLISH FRONT COVER H FLO 11_15 - CONNECTIONS SMS | 1 | AUX321056 | | |
| 39401 | ◆ | POLISH FRONT COVER H FLO 11_15 - CONNECTIONS DIN 11864 | 1 | AUX321060 | | |

H-FLO 11 S - H-FLO 15 S

* 1, 2, 4... : Quantity in equipment - (1), (2), (4)... : Quantity in kit

| Item | Available | Description | Qty* | Ref. | Maintenance kit | Wear part |
|--------|-----------|---|------|-----------|-----------------|-----------|
| | | H FLO 11_15 S COMPLETE TRANSMISSION : | | | | |
| | | STANDARD | | | | |
| 39596 | ◆ | STANDARD | 1 | AUX321250 | ■ | ● |
| 39596* | ◆ | STANDARD_ECS | 1 | AUX321256 | ■ | ● |
| 39596* | ◆ | STANDARD_ECS_OIL LEVEL SENSOR | 1 | AUX321257 | ■ | ● |
| 39596* | ◆ | STANDARD_ATEX_ECS_OIL LEVEL SENSOR | 1 | AUX321292 | ■ | ● |
| | | WITH BELLOWS MONITORING SYSTEM (BMS) | | | | |
| 39596* | ◆ | BMS | 1 | AUX321377 | ■ | ● |
| 39596* | ◆ | BMS_ECS | 1 | AUX321379 | ■ | ● |
| 39596* | ◆ | BMS_ECS_OIL LEVEL SENSOR | 1 | AUX321380 | ■ | ● |
| | | WITH BELLOWS MONITORING SYSTEM (BMS) ATEX | | | | |
| 39596* | ◆ | BMS ATEX | 1 | AUX321378 | ■ | ● |
| 39596* | ◆ | BMS ATEX_ECS | 1 | AUX321381 | ■ | ● |
| 39596* | ◆ | BMS ATEX_ECS_OIL LEVEL SENSOR | 1 | AUX321382 | ■ | ● |
| 39008A | ◆ | SET PLUGS_LIFTING EYE BOLTS G_H FLO 11_15 S | 1 | AUX321100 | | |
| 39008A | ◆ | SET PLUGS_LIFTING EYE BOLTSE - ECS G_H FLO 11_15 S | 1 | AUX321113 | | |
| 39701 | | LIFTING EYE BOLTS | (1) | | | |
| 39701A | | SCREW | (1) | | | |
| 39701B | | WASHER | (1) | | | |
| 39715 | ◆ | BREATHER (EXCEPT ECS) | 1 | AUX239151 | | ● |
| 39772 | | OIL LEVEL INDICATOR (EXCEPT ECS) | (1) | | | |
| 39773 | | PLUG | (1) | | | |
| 39774 | | SEAL WASHER | (1) | | | ● |
| 39009A | ◆ | BEARING GASKETS_RINGS SET G_H FLO 11_15 S | 1 | AUX321101 | | |
| 39498 | | BUSHING | (1) | | | |
| 39507 | | SEAL RING | (1) | | | ● |
| 39518 | | SEAL | (1) | | | ● |
| 39602 | | SEAL | (1) | | | |
| 39608 | | LIP SEAL | (1) | | | ● |
| 39608A | | LIP SEAL | (1) | | | ● |
| 39733 | | O-RING | (1) | | | ● |
| | | BELLOWS REPLACEMENT KIT G_H FLO 11_15 S : | | | | |
| | | STANDARD | | | | |
| 39017A | ◆ | SET BELLOWS | 1 | AUX321591 | ■ | |
| 39017 | | SET BELLOWS | (1) | | | |
| 39524 | | BELLOWS | (1) | | | |
| 39533 | | PLUG | (1) | | | |
| 39541 | | SEAL | (1) | | | |
| 39023 | | SET PLUGS FOR BELLOWS | (1) | | | |
| 39016 | ◆ | SCREWS SET FOR BELLOWS G_H FLO 11_15_25 | 1 | AUX320985 | | |
| 39529 | | SCREW | (4) | | | |
| 39723 | | PIN | (1) | | | |
| 39533A | | SCREW | (1) | | | |
| 39733 | | O-RING | (1) | | | |
| 39602 | | O-RING | (1) | | | |
| 39017A | ◆ | WITH BELLOWS MONITORING SYSTEM (BMS) | 1 | AUX321592 | ■ | |
| 39017A | ◆ | WITH BELLOWS MONITORING SYSTEM (BMS) ATEX | 1 | AUX321593 | ■ | |
| 39017 | | SET BELLOWS WITH BMS | (1) | | | |
| 39519 | | BUSHING | (1) | | | |
| 39522 | | SEAL RING | (1) | | | |
| 39524 | | BELLOWS | (1) | | | |
| 39533 | | PLUG | (1) | | | |
| 39541 | | SEAL | (1) | | | |
| 39023 | | SET BELLOWS BMS | (1) | | | |
| 39016 | ◆ | SCREWS SET FOR BELLOWS G_H FLO 11_15_25 | 1 | AUX320985 | | |
| 39529 | | SCREW | (4) | | | |
| 39723 | | PIN | (1) | | | |
| 39533A | | SCREW | (1) | | | |
| 39733 | | O-RING | (1) | | | |
| 39602 | | O-RING | (1) | | | |
| 39585 | ◆ | BELLOW MOUNTING TOOLS G_H FLO 11_15 | 1 | AUX321589 | | |
| 39749 | ◆ | KIT EASY CLEAN SYSTEM (ECS) G_H FLO 11_15_25_40_50 | 1 | AUX321458 | | |
| 39748 | ◆ | SET SEAL FOR ECS G_H FLO 11_15_25_40_50 | 1 | AUX321455 | | |

* ECS : EASY CLEAN SYSTEM - BMS : BELLOWS MONITORING SYSTEM

H-FLO 25 S

* 1, 2,4... : Quantity in equipment - (1), (2), (4)... : Quantity in kit

| Item | Available | Description | Qty* | Ref. | Maintenance kit | Wear part |
|--------|-----------|--|------|-----------|-----------------|-----------|
| 39100 | ◆ | MAIN BODY H FLO 25 - CONNECTIONS CLAMP ASME-BPE | 1 | AUX320956 | | |
| 39100 | ◆ | MAIN BODY H FLO 25 - CONNECTIONS CLAMP ISO 2852 | 1 | AUX320957 | | |
| 39100 | ◆ | MAIN BODY H FLO 25 - CONNECTIONS DIN 11851 | 1 | AUX320955 | | |
| 39100 | ◆ | MAIN BODY H FLO 25 - CONNECTIONS SMS | 1 | AUX320954 | | |
| 39100 | ◆ | MAIN BODY H FLO 25 - CONNECTIONS DIN 11864 | 1 | AUX320958 | | |
| 39100 | ◆ | JACKETED MAIN BODY H FLO 25 - CONNECTIONS CLAMP ASME-BPE | 1 | AUX320969 | | |
| 39100 | ◆ | JACKETED MAIN BODY H FLO 25 - CONNECTIONS CLAMP ISO 2852 | 1 | AUX320970 | | |
| 39100 | ◆ | JACKETED MAIN BODY H FLO 25 - CONNECTIONS DIN 11851 | 1 | AUX320968 | | |
| 39100 | ◆ | JACKETED MAIN BODY H FLO 25 - CONNECTIONS SMS | 1 | AUX320967 | | |
| 39100 | ◆ | JACKETED MAIN BODY H FLO 25 - CONNECTIONS DIN 11864 | 1 | AUX320971 | | |
| 39100 | ◆ | POLISH MAIN BODY H FLO 25 - CONNECTIONS CLAMP ASME-BPE | 1 | AUX320975 | | |
| 39100 | ◆ | POLISH MAIN BODY H FLO 25 - CONNECTIONS CLAMP ISO 2852 | 1 | AUX320976 | | |
| 39100 | ◆ | POLISH MAIN BODY H FLO 25 - CONNECTIONS DIN 11851 | 1 | AUX320974 | | |
| 39100 | ◆ | POLISH MAIN BODY H FLO 25 - CONNECTIONS SMS | 1 | AUX320973 | | |
| 39100 | ◆ | POLISH MAIN BODY H FLO 25 - CONNECTIONS DIN 11864 | 1 | AUX320977 | | |
| 39101 | | MAIN BODY | (1) | | | |
| 39108 | | FOOT | (1) | | | |
| 39109 | | SCREW | (2) | | | |
| 39124 | | PLUG (JACKETED PUMP) | (1) | | | |
| 39704A | | BRACKET | (1) | | | |
| 39110 | ◆ | SCREWS SET FOR MAIN BODY_FRONT COVER G_H FLO 25 S | 1 | AUX320981 | | |
| 39105 | | STUD | (6) | | | |
| 39106 | | BLIND NUT | (8) | | | |
| 39107 | | STUD | (2) | | | |
| 39111 | | STUD | (4) | | | |
| 39115 | | BLIND NUT | (4) | | | |
| 39149 | | SCREW | (4) | | | |
| 39200 | ◆ | SET CYLINDER_PISTON G_H FLO 25 S | 1 | AUX321006 | ■ | |
| 39118 | | INDEXER | (1) | | | |
| 39119 | | SCREW | (2) | | | |
| 39201 | | CYLINDER | (1) | | | ● |
| 39210 | | SCREW | (1) | | | |
| 39301 | | PISTON | (1) | | | ● |
| 39304 | ◆ | PISTON NUT G_H FLO 25 S | 1 | AUX242327 | | ● |
| 39304A | | SCREW | (7) | | | |
| 39304B | | SCREW | (4) | | | |
| 39206 | ◆ | SET OF CVT CE1935/2004 'O' RING SEALS G_H FLO 25 S | 1 | AUX320979 | ■ | |
| 39206 | ◆ | SET OF EPDM CE1935/2004 'O' RING SEALS G_H FLO 25 S | 1 | AUX320980 | ■ | |
| 39206 | ◆ | SET OF FKM CE1935/2004 'O' RING SEALS G_H FLO 25 S | 1 | AUX320978 | ■ | |
| 39113 | | SEAL | (1) | | | ● |
| 39113A | | SEAL | (1) | | | ● |
| 39205 | | SEAL | (1) | | | ● |
| 39305 | | SEAL | (1) | | | ● |
| 39306 | | SEAL | (1) | | | ● |
| 39401 | ◆ | FRONT COVER H FLO 25 - CONNECTION CLAMP ASME BPE-2009 | 1 | AUX320921 | | |
| 39401 | ◆ | FRONT COVER H FLO 25 - CONNECTION DIN11864 | 1 | AUX320923 | | |
| 39401 | ◆ | FRONT COVER H FLO 25 - CONNECTION CLAMP ISO 2852 | 1 | AUX320922 | | |
| 39401 | ◆ | FRONT COVER H FLO 25 - CONNECTION DIN11851 | 1 | AUX320920 | | |
| 39401 | ◆ | FRONT COVER H FLO 25 - CONNECTION SMS | 1 | AUX320919 | | |
| 39401 | ◆ | JACKETED FRONT COVER H FLO 25 - CONNECTIONS CLAMP ASME-BPE | 1 | AUX320950 | | |
| 39401 | ◆ | JACKETED FRONT COVER H FLO 25 - CONNECTIONS CLAMP ISO 2852 | 1 | AUX320951 | | |
| 39401 | ◆ | JACKETED FRONT COVER H FLO 25 - CONNECTIONS DIN 11851 | 1 | AUX320949 | | |
| 39401 | ◆ | JACKETED FRONT COVER H FLO 25 - CONNECTIONS SMS | 1 | AUX320948 | | |
| 39401 | ◆ | JACKETED FRONT COVER H FLO 25 - CONNECTIONS DIN 11864 | 1 | AUX320952 | | |
| 39401 | ◆ | POLISH FRONT COVER H FLO 25 - CONNECTIONS CLAMP ASME-BPE | 1 | AUX320927 | | |
| 39401 | ◆ | POLISH FRONT COVER H FLO 25 - CONNECTIONS CLAMP ISO 2852 | 1 | AUX320928 | | |
| 39401 | ◆ | POLISH FRONT COVER H FLO 25 - CONNECTIONS DIN 11851 | 1 | AUX320926 | | |
| 39401 | ◆ | POLISH FRONT COVER H FLO 25 - CONNECTIONS SMS | 1 | AUX320925 | | |
| 39401 | ◆ | POLISH FRONT COVER H FLO 25 - CONNECTIONS DIN 11864 | 1 | AUX320929 | | |

H-FLO 25 S

* 1, 2,4... : Quantity in equipment - (1), (2), (4)... : Quantity in kit

| Item | Available | Description | Qty* | Ref. | Maintenance kit | Wear part |
|--|-----------|------------------------------------|------|-----------|-----------------|-----------|
| H FLO 25 S COMPLETE TRANSMISSION : | | | | | | |
| STANDARD | | | | | | |
| 39596 | ◆ | STANDARD | 1 | AUX321235 | ■ | ● |
| 39596* | ◆ | STANDARD_ECS | 1 | AUX321240 | ■ | ● |
| 39596* | ◆ | STANDARD_ECS_OIL LEVEL SENSOR | 1 | AUX321241 | ■ | ● |
| 39596* | ◆ | STANDARD_ATEX_ECS_OIL LEVEL SENSOR | 1 | AUX321291 | ■ | ● |
| WITH BELLOWS MONITORING SYSTEM (BMS) | | | | | | |
| 39596* | ◆ | BMS | 1 | AUX321340 | ■ | ● |
| 39596* | ◆ | BMS_ECS | 1 | AUX321342 | ■ | ● |
| 39596* | ◆ | BMS_ECS_OIL LEVEL SENSOR | 1 | AUX321343 | ■ | ● |
| WITH BELLOWS MONITORING SYSTEM (BMS) ATEX | | | | | | |
| 39596* | ◆ | BMS ATEX | 1 | AUX321341 | ■ | ● |
| 39596* | ◆ | BMS ATEX_ECS | 1 | AUX321344 | ■ | ● |
| 39596* | ◆ | BMS ATEX_ECS_OIL LEVEL SENSOR | 1 | AUX321345 | ■ | ● |
| 39008A | ◆ | SET PLUGS_LIFTING EYE BOLTS | 1 | AUX320982 | | |
| 39008A | ◆ | SET PLUGS_LIFTING EYE BOLTSE - ECS | 1 | AUX320995 | | |
| 39701 | | LIFTING EYE BOLTS | (1) | | | |
| 39701A | | SCREW | (1) | | | |
| 39701B | | WASHER | (1) | | | |
| 39715 | ◆ | BREATHER (EXCEPT ECS) | 1 | AUX239151 | | ● |
| 39772 | | OIL LEVEL INDICATOR (EXCEPT ECS) | (1) | | | |
| 39773 | | PLUG | (1) | | | |
| 39774 | | SEAL WASHER | (1) | | | ● |
| 39009A | ◆ | BEARING GASKETS_RINGS SET | 1 | AUX320983 | | |
| 39498 | | BUSHING | (1) | | | |
| 39507 | | SEAL RING | (1) | | | ● |
| 39518 | | SEAL | (1) | | | ● |
| 39602 | | SEAL | (1) | | | |
| 39608 | | LIP SEAL | (1) | | | ● |
| 39608A | | LIP SEAL | (1) | | | ● |
| 39733 | | O-RING | (1) | | | ● |

H-FLO 25 S

* 1, 2, 4... : Quantity in equipment - (1), (2), (4)... : Quantity in kit

| Item | Available | Description | Qty* | Ref. | Maintenance kit | Wear part |
|---------------|-----------|---|------|------------------|-----------------|-----------|
| 39017A | ◆ | BELLOWS REPLACEMENT KIT G_H FLO 25 S : | | | | |
| | | STANDARD | 1 | AUX321594 | ■ | |
| 39017 | | SET BELLOWS | (1) | | | |
| 39524 | | BELLOWS | (1) | | | |
| 39533 | | PLUG | (1) | | | |
| 39541 | | SEAL | (1) | | | |
| 39023 | | SET PLUGS FOR BELLOWS | (1) | | | |
| 39016 | ◆ | SCREWS SET FOR BELLOWS G_H FLO 11_15_25 | 1 | AUX320985 | | |
| 39529 | | SCREW | (4) | | | |
| 39723 | | PIN | (1) | | | |
| 39533A | | SCREW | (1) | | | |
| 39733 | | O-RING | (1) | | | |
| 39602 | | O-RING | (1) | | | |
| 39016 | ◆ | SCREWS SET FOR BELLOWS G_H FLO 11_15_25 | 1 | AUX320985 | | |
| 39529 | | SCREW | (4) | | | |
| 39723 | | PIN | (1) | | | |
| 39017A | ◆ | WITH BELLOWS MONITORING SYSTEM (BMS) | 1 | AUX321595 | ■ | |
| 39017A | ◆ | WITH BELLOWS MONITORING SYSTEM (BMS) ATEX | 1 | AUX321596 | ■ | |
| 39017 | | SET BELLOWS WITH BMS | (1) | | | |
| 39519 | | BUSHING | (1) | | | |
| 39522 | | SEAL RING | (1) | | | |
| 39524 | | BELLOWS | (1) | | | |
| 39533 | | PLUG | (1) | | | |
| 39541 | | SEAL | (1) | | | |
| 39023 | | SET BELLOWS BMS | (1) | | | |
| 39016 | ◆ | SCREWS SET FOR BELLOWS G_H FLO 11_15_25 | 1 | AUX320985 | | |
| 39529 | | SCREW | (4) | | | |
| 39723 | | PIN | (1) | | | |
| 39533A | | SCREW | (1) | | | |
| 39733 | | SEAL | (1) | | | |
| 39602 | | O-RING | (1) | | | |
| 39585 | ◆ | BELLOW MOUNTING TOOLS G_H FLO 25 | 1 | AUX321590 | | |
| 39749 | ◆ | KIT EASY CLEAN SYSTEM (ECS) G_H FLO 11_15_25_40_50 | 1 | AUX321458 | | |
| 39748 | ◆ | SET SEAL FOR ECS G_H FLO 11_15_25_40_50 | 1 | AUX321455 | | |

* ECS : EASY CLEAN SYSTEM - BMS : BELLOWS MONITORING SYSTEM

H-FLO 40 S

* 1, 2,4... : Quantity in equipment - (1), (2), (4)... : Quantity in kit

| Item | Available | Description | Qty* | Ref. | Maintenance kit | Wear part |
|--------|-----------|--|------|-----------|-----------------|-----------|
| 39100 | ◆ | MAIN BODY H FLO 40- CONNECTIONS CLAMP ASME-BPE | 1 | AUX320643 | | |
| 39100 | ◆ | MAIN BODY H FLO 40- CONNECTIONS CLAMP ISO 2852 | 1 | AUX320644 | | |
| 39100 | ◆ | MAIN BODY H FLO 40- CONNECTIONS DIN 11851 | 1 | AUX320642 | | |
| 39100 | ◆ | MAIN BODY H FLO 40- CONNECTIONS SMS | 1 | AUX320641 | | |
| 39100 | ◆ | MAIN BODY H FLO 40- CONNECTIONS DIN 11864 | 1 | AUX320645 | | |
| 39100 | ◆ | JACKETED MAIN BODY H FLO 40 - CONNECTIONS CLAMP ASME-BPE | 1 | AUX320750 | | |
| 39100 | ◆ | JACKETED MAIN BODY H FLO 40 - CONNECTIONS CLAMP ISO 2852 | 1 | AUX320751 | | |
| 39100 | ◆ | JACKETED MAIN BODY H FLO 40 - CONNECTIONS DIN 11851 | 1 | AUX320749 | | |
| 39100 | ◆ | JACKETED MAIN BODY H FLO 40 - CONNECTIONS SMS | 1 | AUX320748 | | |
| 39100 | ◆ | JACKETED MAIN BODY H FLO 40 - CONNECTIONS DIN 11864 | 1 | AUX320752 | | |
| 39100 | ◆ | POLISH MAIN BODY H FLO 40 - CONNECTIONS CLAMP ASME-BPE | 1 | AUX320832 | | |
| 39100 | ◆ | POLISH MAIN BODY H FLO 40 - CONNECTIONS CLAMP ISO 2852 | 1 | AUX320833 | | |
| 39100 | ◆ | POLISH MAIN BODY H FLO 40 - CONNECTIONS DIN 11851 | 1 | AUX320831 | | |
| 39100 | ◆ | POLISH MAIN BODY H FLO 40 - CONNECTIONS SMS | 1 | AUX320830 | | |
| 39100 | ◆ | POLISH MAIN BODY H FLO 40 - CONNECTIONS DIN 11864 | 1 | AUX320834 | | |
| 39101 | | MAIN BODY | (1) | | | |
| 39108 | | FOOT | (1) | | | |
| 39109 | | SCREW | (2) | | | |
| 39124 | | PLUG (JACKETED PUMP) | (1) | | | |
| 39704A | | BRACKET | (1) | | | |
| 39110 | ◆ | SCREWS SET FOR MAIN BODY_FRONT COVER G_H FLO 40 S | 1 | AUX320768 | | |
| 39105 | | STUD | (6) | | | |
| 39106 | | BLIND NUT | (8) | | | |
| 39107 | | STUD | (2) | | | |
| 39111 | | STUD | (4) | | | |
| 39115 | | BLIND NUT | (4) | | | |
| 39149 | | SCREW | (4) | | | |
| 39200 | ◆ | SET CYLINDER_PISTON G_H FLO 40 S | 1 | AUX320662 | ■ | |
| 39118 | | INDEXER | (1) | | | |
| 39119 | | SCREW | (2) | | | |
| 39201 | | CYLINDER | (1) | | | ● |
| 39210 | | SCREW | (1) | | | |
| 39301 | | PISTON | (1) | | | ● |
| 39304 | ◆ | PISTON NUT G_H FLO 40 S | 1 | AUX240594 | | ● |
| 39304A | | SCREW | (10) | | | |
| 39304B | | SCREW | (2) | | | |
| 39206 | ◆ | SET OF CVT CE1935/2004 'O' RING SEALS G_H FLO 40 S | 1 | AUX320647 | ■ | |
| 39206 | ◆ | SET OF EPDM CE1935/2004 'O' RING SEALS G_H FLO 40 S | 1 | AUX320648 | ■ | |
| 39206 | ◆ | SET OF FKM CE1935/2004 'O' RING SEALS G_H FLO 40 S | 1 | AUX320646 | ■ | |
| 39113 | | SEAL | (1) | | | ● |
| 39113A | | SEAL | (1) | | | ● |
| 39205 | | SEAL | (1) | | | ● |
| 39305 | | SEAL | (2) | | | ● |
| 39306 | | SEAL | (1) | | | ● |
| 39401 | ◆ | FRONT COVER H FLO 40 CONNECTION CLAMP ASME BPE-2009 | 1 | AUX320638 | | |
| 39401 | ◆ | FRONT COVER H FLO 40 CONNECTION DIN11864 | 1 | AUX320639 | | |
| 39401 | ◆ | FRONT COVER H FLO 40 CONNECTION CLAMP ISO 2852 | 1 | AUX320588 | | |
| 39401 | ◆ | FRONT COVER H FLO 40 CONNECTION DIN11851 | 1 | AUX320637 | | |
| 39401 | ◆ | FRONT COVER H FLO 40 CONNECTION SMS | 1 | AUX320636 | | |
| 39401 | ◆ | JACKETED FRONT COVER H FLO 40 - CONNECTIONS CLAMP ASME-BPE | 1 | AUX320738 | | |
| 39401 | ◆ | JACKETED FRONT COVER H FLO 40 - CONNECTIONS CLAMP ISO 2852 | 1 | AUX320739 | | |
| 39401 | ◆ | JACKETED FRONT COVER H FLO 40 - CONNECTIONS DIN 11851 | 1 | AUX320737 | | |
| 39401 | ◆ | JACKETED FRONT COVER H FLO 40 - CONNECTIONS SMS | 1 | AUX320736 | | |
| 39401 | ◆ | JACKETED FRONT COVER H FLO 40 - CONNECTIONS DIN 11864 | 1 | AUX320740 | | |
| 39401 | ◆ | POLISH FRONT COVER H FLO 40 - CONNECTIONS CLAMP ASME-BPE | 1 | AUX320821 | | |
| 39401 | ◆ | POLISH FRONT COVER H FLO 40 - CONNECTIONS CLAMP ISO 2852 | 1 | AUX320822 | | |
| 39401 | ◆ | POLISH FRONT COVER H FLO 40 - CONNECTIONS DIN 11851 | 1 | AUX320820 | | |
| 39401 | ◆ | POLISH FRONT COVER H FLO 40 - CONNECTIONS SMS | 1 | AUX320819 | | |
| 39401 | ◆ | POLISH FRONT COVER H FLO 40 - CONNECTIONS DIN 11864 | 1 | AUX320823 | | |

H-FLO 40 S

* 1, 2,4... : Quantity in equipment - (1), (2), (4)... : Quantity in kit

| Item | Available | Description | Qty* | Ref. | Maintenance kit | Wear part |
|--------|-----------|--|------|-----------|-----------------|-----------|
| | | H FLO 40 S COMPLETE TRANSMISSION : | | | | |
| | | STANDARD | | | | |
| 39596 | ◆ | STANDARD | 1 | AUX321220 | ■ | ● |
| 39596* | ◆ | STANDARD_ECS | 1 | AUX321225 | ■ | ● |
| 39596* | ◆ | STANDARD_ECS_OIL LEVEL SENSOR | 1 | AUX321226 | ■ | ● |
| 39596* | ◆ | STANDARD_ATEX_ECS_OIL LEVEL SENSOR | 1 | AUX320888 | ■ | ● |
| | | WITH BELLOWS MONITORING SYSTEM (BMS) | | | | |
| 39596* | ◆ | BMS | 1 | AUX321365 | ■ | ● |
| 39596* | ◆ | BMS_ECS | 1 | AUX321367 | ■ | ● |
| 39596* | ◆ | BMS_ECS_OIL LEVEL SENSOR | 1 | AUX321368 | ■ | ● |
| | | WITH BELLOWS MONITORING SYSTEM (BMS) ATEX | | | | |
| 39596* | ◆ | BMS ATEX | 1 | AUX321366 | ■ | ● |
| 39596* | ◆ | BMS ATEX_ECS | 1 | AUX321369 | ■ | ● |
| 39596* | ◆ | BMS ATEX_ECS_OIL LEVEL SENSOR | 1 | AUX321370 | ■ | ● |
| 39008A | ◆ | SET PLUGS_LIFTING EYE BOLTS | 1 | AUX320673 | | |
| 39008A | ◆ | SET PLUGS_LIFTING EYE BOLTSE - ECS | 1 | AUX320891 | | |
| 39701 | | LIFTING EYE BOLTS | (1) | | | |
| 39701A | | SCREW | (1) | | | |
| 39701B | | WASHER | (1) | | | |
| 39715 | ◆ | BREATHER (EXCEPT ECS) | 1 | AUX239151 | | ● |
| 39772 | | OIL LEVEL INDICATOR (EXCEPT ECS) | (1) | | | |
| 39773 | | PLUG | (1) | | | |
| 39774 | | SEAL WASHER | (1) | | | ● |
| 39009A | ◆ | BEARING GASKETS_RINGS SET | 1 | AUX320246 | | |
| 39498 | | BUSHING | (1) | | | |
| 39507 | | SEAL RING | (1) | | | ● |
| 39518 | | SEAL | (1) | | | ● |
| 39602 | | SEAL | (1) | | | |
| 39608 | | LIP SEAL | (1) | | | ● |
| 39608A | | LIP SEAL | (1) | | | ● |
| 39733 | | O-RING | (1) | | | ● |

H-FLO 40 S

* 1, 2,4... : Quantity in equipment - (1), (2), (4)... : Quantity in kit

| Item | Available | Description | Qty* | Ref. | Maintenance kit | Wear part |
|---------------|-----------|---|----------|------------------|-----------------|-----------|
| 39017A | ◆ | BELLOWS REPLACEMENT KIT G_H FLO 40 S : | | | | |
| | | STANDARD | 1 | AUX321496 | ■ | |
| 39017 | | SET BELLOWS | (1) | | | |
| 39519 | | BUSHING | (1) | | | |
| 39522 | | SEAL RING | (1) | | | |
| 39524 | | BELLOWS | (1) | | | |
| 39533 | | SCREW | (1) | | | |
| 39548 | | | (1) | | | |
| 39590 | | BELLOWS PROTECTION | (1) | | | |
| 39023 | | SET PLUGS FOR BELLOWS | (1) | | | |
| 39533A | | SCREW | (1) | | | |
| 39585A | | BELLOW MOUNTING SCREW FLO 40 | (1) | | | |
| 39016 | ◆ | SCREWS SET FOR BELLOWS G_H FLO 40 | 1 | AUX320663 | | |
| 39529 | | SCREW | (4) | | | |
| 39723 | | PIN | (1) | | | |
| 39733 | | O-RING | (1) | | | |
| 39017A | ◆ | WITH BELLOWS MONITORING SYSTEM (BMS) | 1 | AUX321497 | ■ | |
| 39017A | ◆ | WITH BELLOWS MONITORING SYSTEM (BMS) ATEX | 1 | AUX321498 | ■ | |
| 39017 | | SET BELLOWS | (1) | | | |
| 39519 | | BUSHING | (1) | | | |
| 39522 | | SEAL RING | (1) | | | |
| 39524 | | BELLOWS | (1) | | | |
| 39533 | | SCREW | (1) | | | |
| 39548 | | | (1) | | | |
| 39590 | | BELLOWS PROTECTION | (1) | | | |
| 39023 | | SET BELLOWS BMS | (1) | | | |
| 39533A | | SCREW | (1) | | | |
| 39585A | | BELLOW MOUNTING SCREW FLO 40 | (1) | | | |
| 39016 | ◆ | SCREWS SET FOR BELLOWS G_H FLO 40 | 1 | AUX320663 | | |
| 39529 | | SCREW | (4) | | | |
| 39723 | | PIN | (1) | | | |
| 39733 | | O-RING | (1) | | | |
| 39585 | ◆ | BELLOW MOUNTING TOOLS G_H FLO 40 | 1 | AUX321490 | | |
| 39749 | ◆ | KIT EASY CLEAN SYSTEM (ECS) G_H FLO 11_15_25_40_50 | 1 | AUX321458 | | |
| 39748 | ◆ | SET SEAL FOR ECS G_H FLO 11_15_25_40_50 | 1 | AUX321455 | | |

* ECS : EASY CLEAN SYSTEM - BMS : BELLOWS MONITORING SYSTEM

H-FLO 50 S

* 1, 2,4... : Quantity in equipment - (1), (2), (4)... : Quantity in kit

| Item | Available | Description | Qty* | Ref. | Maintenance kit | Wear part |
|--------|-----------|--|------|-----------|-----------------|-----------|
| 39100 | ◆ | MAIN BODY H FLO 50- CONNECTIONS CLAMP ASME-BPE | 1 | AUX320212 | | |
| 39100 | ◆ | MAIN BODY H FLO 50- CONNECTIONS CLAMP ISO 2852 | 1 | AUX320213 | | |
| 39100 | ◆ | MAIN BODY H FLO 50- CONNECTIONS DIN 11851 | 1 | AUX320211 | | |
| 39100 | ◆ | MAIN BODY H FLO 50- CONNECTIONS SMS | 1 | AUX320210 | | |
| 39100 | ◆ | MAIN BODY H FLO 50- CONNECTIONS DIN 11864 | 1 | AUX320214 | | |
| 39100 | ◆ | JACKETED MAIN BODY H FLO 50 - CONNECTIONS CLAMP ASME-BPE | 1 | AUX320725 | | |
| 39100 | ◆ | JACKETED MAIN BODY H FLO 50 - CONNECTIONS CLAMP ISO 2852 | 1 | AUX320726 | | |
| 39100 | ◆ | JACKETED MAIN BODY H FLO 50 - CONNECTIONS DIN 11851 | 1 | AUX320724 | | |
| 39100 | ◆ | JACKETED MAIN BODY H FLO 50 - CONNECTIONS SMS | 1 | AUX320723 | | |
| 39100 | ◆ | JACKETED MAIN BODY H FLO 50 - CONNECTIONS DIN 11864 | 1 | AUX320727 | | |
| 39100 | ◆ | POLISH MAIN BODY H FLO 50 - CONNECTIONS CLAMP ASME-BPE | 1 | AUX320847 | | |
| 39100 | ◆ | POLISH MAIN BODY H FLO 50 - CONNECTIONS CLAMP ISO 2852 | 1 | AUX320848 | | |
| 39100 | ◆ | POLISH MAIN BODY H FLO 50 - CONNECTIONS DIN 11851 | 1 | AUX320846 | | |
| 39100 | ◆ | POLISH MAIN BODY H FLO 50 - CONNECTIONS SMS | 1 | AUX320845 | | |
| 39100 | ◆ | POLISH MAIN BODY H FLO 50 - CONNECTIONS DIN 11864 | 1 | AUX320849 | | |
| 39101 | | MAIN BODY | (1) | | | |
| 39108 | | FOOT | (1) | | | |
| 39109 | | SCREW | (2) | | | |
| 39124 | | PLUG (JACKETED PUMP) | (1) | | | |
| 39704A | | BRACKET | (1) | | | |
| 39110 | ◆ | SCREWS SET FOR MAIN BODY_FRONT COVER G_H FLO 50 S | 1 | AUX320236 | | |
| 39105 | | STUD | (6) | | | |
| 39106 | | BLIND NUT | (8) | | | |
| 39107 | | STUD | (2) | | | |
| 39111 | | STUD | (4) | | | |
| 39115 | | BLIND NUT | (4) | | | |
| 39200 | ◆ | SET CYLINDER_PISTON G_H FLO 50 S | 1 | AUX320209 | ■ | |
| 39118 | | INDEXER | (1) | | | |
| 39119 | | SCREW | (2) | | | |
| 39201 | | CYLINDER | (1) | | | ● |
| 39210 | | SCREW | (1) | | | |
| 39301 | | PISTON | (1) | | | ● |
| 39304 | ◆ | | 1 | AUX240325 | | ● |
| 39304A | | SCREW | (8) | | | |
| 39304B | | SCREW | (2) | | | |
| 39206 | ◆ | SET OF CVT CE1935/2004 'O' RING SEALS G_H FLO 50 S | 1 | AUX320186 | ■ | |
| 39206 | ◆ | SET OF EPDM CE1935/2004 'O' RING SEALS G_H FLO 50 S | 1 | AUX320187 | ■ | |
| 39206 | ◆ | SET OF FKM CE1935/2004 'O' RING SEALS G_H FLO 50 S | 1 | AUX320185 | ■ | |
| 39113 | | SEAL | (1) | | | ● |
| 39113A | | SEAL | (1) | | | ● |
| 39205 | | SEAL | (1) | | | ● |
| 39305 | | SEAL | (2) | | | ● |
| 39306 | | SEAL | (1) | | | ● |
| 39401 | ◆ | FRONT COVER H FLO 50 CONNECTION CLAMP ASME BPE-2009 | 1 | AUX320600 | | |
| 39401 | ◆ | FRONT COVER H FLO 50 CONNECTION DIN11864 | 1 | AUX320232 | | |
| 39401 | ◆ | FRONT COVER H FLO 50 CONNECTION CLAMP ISO 2852 | 1 | AUX320231 | | |
| 39401 | ◆ | FRONT COVER H FLO 50 CONNECTION DIN11851 | 1 | AUX320229 | | |
| 39401 | ◆ | FRONT COVER H FLO 50 CONNECTION SMS | 1 | AUX320228 | | |
| 39401 | ◆ | JACKETED FRONT COVER H FLO 50 - CONNECTIONS CLAMP ASME-BPE | 1 | AUX320713 | | |
| 39401 | ◆ | JACKETED FRONT COVER H FLO 50 - CONNECTIONS CLAMP ISO 2852 | 1 | AUX320714 | | |
| 39401 | ◆ | JACKETED FRONT COVER H FLO 50 - CONNECTIONS DIN 11851 | 1 | AUX320712 | | |
| 39401 | ◆ | JACKETED FRONT COVER H FLO 50 - CONNECTIONS SMS | 1 | AUX320711 | | |
| 39401 | ◆ | JACKETED FRONT COVER H FLO 50 - CONNECTIONS DIN 11864 | 1 | AUX320715 | | |
| 39401 | ◆ | POLISH FRONT COVER H FLO 50 - CONNECTIONS CLAMP ASME-BPE | 1 | AUX320837 | | |
| 39401 | ◆ | POLISH FRONT COVER H FLO 50 - CONNECTIONS CLAMP ISO 2852 | 1 | AUX320838 | | |
| 39401 | ◆ | POLISH FRONT COVER H FLO 50 - CONNECTIONS DIN 11851 | 1 | AUX320836 | | |
| 39401 | ◆ | POLISH FRONT COVER H FLO 50 - CONNECTIONS SMS | 1 | AUX320835 | | |
| 39401 | ◆ | POLISH FRONT COVER H FLO 50 - CONNECTIONS DIN 11864 | 1 | AUX320839 | | |

H-FLO 50 S

* 1, 2, 4... : Quantity in equipment - (1), (2), (4)... : Quantity in kit

| Item | Available | Description | Qty* | Ref. | Maintenance kit | Wear part |
|--------|-----------|--|------|-----------|-----------------|-----------|
| | | H FLO 50 S COMPLETE TRANSMISSION : | | | | |
| | | STANDARD | | | | |
| 39596 | ◆ | STANDARD | 1 | AUX321205 | ■ | ● |
| 39596* | ◆ | STANDARD_ECS | 1 | AUX321210 | ■ | ● |
| 39596* | ◆ | STANDARD_ECS_OIL LEVEL SENSOR | 1 | AUX321211 | ■ | ● |
| 39596* | ◆ | STANDARD_ATEX_ECS_OIL LEVEL SENSOR | 1 | AUX320887 | ■ | ● |
| | | WITH BELLOWS MONITORING SYSTEM (BMS) | | | | |
| 39596* | ◆ | BMS | 1 | AUX321353 | ■ | ● |
| 39596* | ◆ | BMS_ECS | 1 | AUX321355 | ■ | ● |
| 39596* | ◆ | BMS_ECS_OIL LEVEL SENSOR | 1 | AUX321356 | ■ | ● |
| | | WITH BELLOWS MONITORING SYSTEM (BMS) ATEX | | | | |
| 39596* | ◆ | BMS ATEX | 1 | AUX321354 | ■ | ● |
| 39596* | ◆ | BMS ATEX_ECS | 1 | AUX321357 | ■ | ● |
| 39596* | ◆ | BMS ATEX_ECS_OIL LEVEL SENSOR | 1 | AUX321358 | ■ | ● |
| 39008A | ◆ | SET PLUGS_LIFTING EYE BOLTS | 1 | AUX320673 | | |
| 39008A | ◆ | SET PLUGS_LIFTING EYE BOLTSE - ECS | 1 | AUX320891 | | |
| 39701 | | LIFTING EYE BOLTS | (1) | | | |
| 39701A | | SCREW | (1) | | | |
| 39701B | | WASHER | (1) | | | |
| 39715 | ◆ | BREATHER (EXCEPT ECS) | 1 | AUX239151 | | ● |
| 39772 | | OIL LEVEL INDICATOR (EXCEPT ECS) | (1) | | | |
| 39773 | | PLUG | (1) | | | |
| 39774 | | SEAL WASHER | (1) | | | ● |
| 39009A | ◆ | BEARING GASKETS_RINGS SET | 1 | AUX320116 | | |
| 39498 | | BUSHING | (1) | | | |
| 39507 | | SEAL RING | (1) | | | ● |
| 39518 | | SEAL | (1) | | | ● |
| 39602 | | SEAL | (1) | | | |
| 39608 | | LIP SEAL | (1) | | | ● |
| 39608A | | LIP SEAL | (1) | | | ● |
| 39733 | | O-RING | (1) | | | ● |

H-FLO 50 S

* 1, 2, 4... : Quantity in equipment - (1), (2), (4)... : Quantity in kit

| Item | Available | Description | Qty* | Ref. | Maintenance kit | Wear part |
|---------------|-----------|---|----------|------------------|-----------------|-----------|
| 39017A | ◆ | BELLOWS REPLACEMENT KIT G_H FLO 50 S : | | | | |
| | | STANDARD | 1 | AUX321493 | ■ | |
| 39017 | | SET BELLOWS | (1) | | | |
| 39519 | | BUSHING | (1) | | | |
| 39522 | | SEAL RING | (1) | | | |
| 39524 | | BELLOWS | (1) | | | |
| 39533 | | SCREW | (1) | | | |
| 39548 | | | (1) | | | 0 |
| 39590 | | BELLOWS PROTECTION | (1) | | | |
| 39023 | | SET PLUGS FOR BELLOWS | (1) | | | |
| 39533A | | SCREW | (1) | | | |
| 39585A | | BELLOW MOUNTING SCREW FLO 50 | (1) | | | |
| 39016 | ◆ | SCREWS SET FOR BELLOWS G_H FLO 50_65 | 1 | AUX319677 | | |
| 39529 | | SCREW | (4) | | | |
| 39723 | | PIN | (1) | | | |
| 39733 | | SEAL | (1) | | | |
| 39017A | ◆ | WITH BELLOWS MONITORING SYSTEM (BMS) | 1 | AUX321494 | ■ | |
| 39017A | ◆ | WITH BELLOWS MONITORING SYSTEM (BMS) ATEX | 1 | AUX321495 | ■ | |
| 39017 | | SET BELLOWS | (1) | | | |
| 39519 | | BUSHING | (1) | | | |
| 39522 | | SEAL RING | (1) | | | |
| 39524 | | BELLOWS | (1) | | | |
| 39533 | | SCREW | (1) | | | |
| 39548 | | | (1) | | | 0 |
| 39590 | | BELLOWS PROTECTION | (1) | | | |
| 39023 | | SET BELLOWS BMS | (1) | | | |
| 39533A | | SCREW | (1) | | | |
| 39585A | | BELLOW MOUNTING SCREW FLO 50 | (1) | | | |
| 39016 | ◆ | SCREWS SET FOR BELLOWS G_H FLO 50_65 | 1 | AUX319677 | | |
| 39529 | | SCREW | (4) | | | |
| 39723 | | PIN | (1) | | | |
| 39733 | | SEAL | (1) | | | |
| 39585 | ◆ | BELLOW MOUNTING TOOLS G_H FLO 50 | 1 | AUX321489 | | |
| 39749 | ◆ | KIT EASY CLEAN SYSTEM (ECS) G_H FLO 11_15_25_40_50 | 1 | AUX321458 | | |
| 39748 | ◆ | SET SEAL FOR ECS G_H FLO 11_15_25_40_50 | 1 | AUX321455 | | |

* ECS : EASY CLEAN SYSTEM - BMS : BELLOWS MONITORING SYSTEM

H-FLO 65 S

* 1, 2, 4... : Quantity in equipment - (1), (2), (4)... : Quantity in kit

| Item | Available | Description | Qty* | Ref. | Maintenance kit | Wear part |
|--------|-----------|--|------|-----------|-----------------|-----------|
| 39100 | ◆ | MAIN BODY H FLO 65- CONNECTIONS CLAMP ASME-BPE | 1 | AUX320131 | | |
| 39100 | ◆ | MAIN BODY H FLO 65- CONNECTIONS CLAMP ISO 2852 | 1 | AUX320169 | | |
| 39100 | ◆ | MAIN BODY H FLO 65- CONNECTIONS DIN 11851 | 1 | AUX320129 | | |
| 39100 | ◆ | MAIN BODY H FLO 65- CONNECTIONS SMS | 1 | AUX320127 | | |
| 39100 | ◆ | MAIN BODY H FLO 65- CONNECTIONS DIN 11864 | 1 | AUX320172 | | |
| 39100 | ◆ | JACKETED MAIN BODY H FLO 65 - CONNECTIONS CLAMP ASME-BPE | 1 | AUX320775 | | |
| 39100 | ◆ | JACKETED MAIN BODY H FLO 65 - CONNECTIONS CLAMP ISO 2852 | 1 | AUX320776 | | |
| 39100 | ◆ | JACKETED MAIN BODY H FLO 65 - CONNECTIONS DIN 11851 | 1 | AUX320774 | | |
| 39100 | ◆ | JACKETED MAIN BODY H FLO 65 - CONNECTIONS SMS | 1 | AUX320773 | | |
| 39100 | ◆ | JACKETED MAIN BODY H FLO 65 - CONNECTIONS DIN 11864 | 1 | AUX320777 | | |
| 39100 | ◆ | POLISH MAIN BODY H FLO 65 - CONNECTIONS CLAMP ASME-BPE | 1 | AUX320862 | | |
| 39100 | ◆ | POLISH MAIN BODY H FLO 65 - CONNECTIONS CLAMP ISO 2852 | 1 | AUX320863 | | |
| 39100 | ◆ | POLISH MAIN BODY H FLO 65 - CONNECTIONS DIN 11851 | 1 | AUX320861 | | |
| 39100 | ◆ | POLISH MAIN BODY H FLO 65 - CONNECTIONS SMS | 1 | AUX320860 | | |
| 39100 | ◆ | POLISH MAIN BODY H FLO 65 - CONNECTIONS DIN 11864 | 1 | AUX320864 | | |
| 39101 | | MAIN BODY | (1) | | | |
| 39108 | | FOOT | (1) | | | |
| 39109 | | SCREW | (2) | | | |
| 39124 | | PLUG (JACKETED PUMP) | (1) | | | |
| 39704A | | BRACKET | (1) | | | |
| 39110 | ◆ | SCREWS SET FOR MAIN BODY_FRONT COVER G_H FLO 65 | 1 | AUX319937 | | |
| 39105 | | STUD | (6) | | | |
| 39106 | | BLIND NUT | (8) | | | |
| 39107 | | STUD | (2) | | | |
| 39111 | | STUD | (4) | | | |
| 39115 | | BLIND NUT | (4) | | | |
| 39200 | ◆ | SET CYLINDER_PISTON G_H FLO 65 S | 1 | AUX319913 | ■ | |
| 39118 | | INDEXER | (1) | | | |
| 39119 | | SCREW | (2) | | | |
| 39201 | | CYLINDER | (1) | | | ● |
| 39210 | | SCREW | (1) | | | |
| 39301 | | PISTON | (1) | | | ● |
| 39304 | ◆ | SCREW | 1 | AUX239099 | | ● |
| 39304A | | SCREW | (10) | | | |
| 39304B | | SCREW | (2) | | | |
| 39206 | ◆ | SET OF CVT CE1935/2004 'O' RING SEALS G_H FLO 65 | 1 | AUX319929 | ■ | |
| 39206 | ◆ | SET OF EPDM CE1935/2004 'O' RING SEALS G_H FLO 65 | 1 | AUX319950 | ■ | |
| 39206 | ◆ | SET OF FKM CE1935/2004 'O' RING SEALS G_H FLO 65 | 1 | AUX319945 | ■ | |
| 39113 | | SEAL | (1) | | | ● |
| 39113A | | SEAL | (1) | | | ● |
| 39205 | | SEAL | (1) | | | ● |
| 39305 | | SEAL | (2) | | | ● |
| 39306 | | SEAL | (1) | | | ● |
| 39401 | ◆ | FRONT COVER H FLO 65 CONNECTION DIN11864 | 1 | AUX320174 | | |
| 39401 | ◆ | FRONT COVER H FLO 65 CONNECTION CLAMP ISO 2852 | 1 | AUX320171 | | |
| 39401 | ◆ | FRONT COVER H FLO 65 CONNECTION CLAMP ASME BPE-2009 | 1 | AUX320602 | | |
| 39401 | ◆ | FRONT COVER H FLO 65 CONNECTION DIN11851 | 1 | AUX320134 | | |
| 39401 | ◆ | FRONT COVER H FLO 65 CONNECTION SMS | 1 | AUX320133 | | |
| 39401 | ◆ | JACKETED FRONT COVER H FLO 65 - CONNECTIONS CLAMP ASME-BPE | 1 | AUX320762 | | |
| 39401 | ◆ | JACKETED FRONT COVER H FLO 65 - CONNECTIONS CLAMP ISO 2852 | 1 | AUX320763 | | |
| 39401 | ◆ | JACKETED FRONT COVER H FLO 65 - CONNECTIONS DIN 11851 | 1 | AUX320761 | | |
| 39401 | ◆ | JACKETED FRONT COVER H FLO 65 - CONNECTIONS SMS | 1 | AUX320760 | | |
| 39401 | ◆ | JACKETED FRONT COVER H FLO 65 - CONNECTIONS DIN 11864 | 1 | AUX320764 | | |
| 39401 | ◆ | POLISH FRONT COVER H FLO 65 - CONNECTIONS CLAMP ASME-BPE | 1 | AUX320852 | | |
| 39401 | ◆ | POLISH FRONT COVER H FLO 65 - CONNECTIONS CLAMP ISO 2852 | 1 | AUX320853 | | |
| 39401 | ◆ | POLISH FRONT COVER H FLO 65 - CONNECTIONS DIN 11851 | 1 | AUX320851 | | |
| 39401 | ◆ | POLISH FRONT COVER H FLO 65 - CONNECTIONS SMS | 1 | AUX320850 | | |
| 39401 | ◆ | POLISH FRONT COVER H FLO 65 - CONNECTIONS DIN 11864 | 1 | AUX320854 | | |

H-FLO 65 S

* 1, 2, 4... : Quantity in equipment - (1), (2), (4)... : Quantity in kit

| Item | Available | Description | Qty* | Ref. | Maintenance kit | Wear part |
|---------------|-----------|---|----------|------------------|-----------------|-----------|
| 39596 | ◆ | H FLO 65 COMPLETE TRANSMISSION : | 1 | AUX321204 | ■ | ● |
| 39599 | | TRANSMISSION | (1) | | | |
| 39008A | ◆ | SET PLUGS_LIFTING EYE BOLTS | 1 | AUX319682 | | |
| 39701 | | LIFTING EYE BOLTS | (1) | | | |
| 39715 | ◆ | BREATHER | 1 | AUX239151 | | ● |
| 39772 | | OIL LEVEL INDICATOR | (1) | | | |
| 39773 | | PLUG | (1) | | | |
| 39774 | | SEAL WASHER | (1) | | | ● |
| 39009A | ◆ | BEARING GASKETS _ RING SET | 1 | AUX319683 | | ● |
| 39507 | | INTERNAL RING | (1) | | | ● |
| 39516 | | CIRCLIPS | (1) | | | |
| 39518 | | O-RING FKM | (1) | | | ● |
| 39602 | | SEAL | (1) | | | |
| 39608 | | LIP SEAL | (1) | | | ● |
| 39608A | | LIP SEAL | (1) | | | ● |
| 39733 | | SEAL | (1) | | | ● |
| 39017A | ◆ | BELLOWS REPLACEMENT KIT G_H FLO 65 S : | 1 | AUX321491 | ■ | |
| | | STANDARD | | | | |
| 39017 | | SET BELLOWS | (1) | | | |
| 39524 | | BELLOWS | (1) | | | |
| 39533 | | SCREW | (1) | | | |
| 39548 | | | 0 (1) | | | |
| 39023 | | SET PLUGS FOR BELLOWS | (1) | | | |
| 39533A | | SCREW | (1) | | | |
| 39585A | | BELLOW MOUNTING SCREW FLO 65 | (1) | | | |
| 39016 | ◆ | SCREWS SET FOR BELLOWS G_H FLO 50_65 | 1 | AUX319677 | | |
| 39529 | | SCREW | (4) | | | |
| 39723 | | PIN | (1) | | | |
| 39733 | | SEAL | (1) | | | |
| 39585 | ◆ | BELLOW MOUNTING TOOLS G_H FLO 65 | 1 | AUX321488 | | |

H-FLO 65 HP

* 1, 2, 4... : Quantity in equipment - (1), (2), (4)... : Quantity in kit

| Item | Available | Description | Qty* | Ref. | Maintenance kit | Wear part |
|--------|-----------|--|------|-----------|-----------------|-----------|
| 39100 | ◆ | MAIN BODY H FLO 65- CONNECTIONS CLAMP ASME-BPE | 1 | AUX320131 | | |
| 39100 | ◆ | MAIN BODY H FLO 65- CONNECTIONS CLAMP ISO 2852 | 1 | AUX320169 | | |
| 39100 | ◆ | MAIN BODY H FLO 65- CONNECTIONS DIN 11851 | 1 | AUX320129 | | |
| 39100 | ◆ | MAIN BODY H FLO 65- CONNECTIONS SMS | 1 | AUX320127 | | |
| 39100 | ◆ | MAIN BODY H FLO 65- CONNECTIONS DIN 11864 | 1 | AUX320172 | | |
| 39100 | ◆ | JACKETED MAIN BODY H FLO 65 - CONNECTIONS CLAMP ASME-BPE | 1 | AUX320775 | | |
| 39100 | ◆ | JACKETED MAIN BODY H FLO 65 - CONNECTIONS CLAMP ISO 2852 | 1 | AUX320776 | | |
| 39100 | ◆ | JACKETED MAIN BODY H FLO 65 - CONNECTIONS DIN 11851 | 1 | AUX320774 | | |
| 39100 | ◆ | JACKETED MAIN BODY H FLO 65 - CONNECTIONS SMS | 1 | AUX320773 | | |
| 39100 | ◆ | JACKETED MAIN BODY H FLO 65 - CONNECTIONS DIN 11864 | 1 | AUX320777 | | |
| 39100 | ◆ | POLISH MAIN BODY H FLO 65 - CONNECTIONS CLAMP ASME-BPE | 1 | AUX320862 | | |
| 39100 | ◆ | POLISH MAIN BODY H FLO 65 - CONNECTIONS CLAMP ISO 2852 | 1 | AUX320863 | | |
| 39100 | ◆ | POLISH MAIN BODY H FLO 65 - CONNECTIONS DIN 11851 | 1 | AUX320861 | | |
| 39100 | ◆ | POLISH MAIN BODY H FLO 65 - CONNECTIONS SMS | 1 | AUX320860 | | |
| 39100 | ◆ | POLISH MAIN BODY H FLO 65 - CONNECTIONS DIN 11864 | 1 | AUX320864 | | |
| 39101 | | MAIN BODY | (1) | | | |
| 39108 | | FOOT | (1) | | | |
| 39109 | | SCREW | (2) | | | |
| 39124 | | PLUG (JACKETED PUMP) | (1) | | | |
| 39704A | | BRACKET | (1) | | | |
| 39110 | ◆ | SCREWS SET FOR MAIN BODY_FRONT COVER G_H FLO 65 | 1 | AUX319937 | | |
| 39105 | | STUD | (6) | | | |
| 39106 | | BLIND NUT | (8) | | | |
| 39107 | | STUD | (2) | | | |
| 39111 | | STUD | (4) | | | |
| 39115 | | BLIND NUT | (4) | | | |
| 39200 | ◆ | SET CYLINDER_PISTON G_H FLO 65 HP | 1 | AUX319947 | ■ | |
| 39118 | | INDEXER | (1) | | | |
| 39119 | | SCREW | (2) | | | |
| 39201 | | CYLINDER | (1) | | | ● |
| 39210 | | SCREW | (1) | | | |
| 39301 | | PISTON | (1) | | | ● |
| 39304 | ◆ | PISTON NUT G_H FLO 65 | 1 | AUX239099 | | ● |
| 39304A | | SCREW | (10) | | | |
| 39304B | | SCREW | (2) | | | |
| 39206 | ◆ | SET OF CVT CE1935/2004 'O' RING SEALS G_H FLO 65 | 1 | AUX319929 | ■ | |
| 39206 | ◆ | SET OF EPDM CE1935/2004 'O' RING SEALS G_H FLO 65 | 1 | AUX319950 | ■ | |
| 39206 | ◆ | SET OF FKM CE1935/2004 'O' RING SEALS G_H FLO 65 | 1 | AUX319945 | ■ | |
| 39113 | | SEAL | (1) | | | ● |
| 39113A | | SEAL | (1) | | | ● |
| 39205 | | SEAL | (1) | | | ● |
| 39305 | | SEAL | (2) | | | ● |
| 39306 | | SEAL | (1) | | | ● |
| 39401 | ◆ | FRONT COVER H FLO 65 CONNECTION DIN11864 | 1 | AUX320174 | | |
| 39401 | ◆ | FRONT COVER H FLO 65 CONNECTION CLAMP ISO 2852 | 1 | AUX320171 | | |
| 39401 | ◆ | FRONT COVER H FLO 65 CONNECTION CLAMP ASME BPE-2009 | 1 | AUX320602 | | |
| 39401 | ◆ | FRONT COVER H FLO 65 CONNECTION DIN11851 | 1 | AUX320134 | | |
| 39401 | ◆ | FRONT COVER H FLO 65 CONNECTION SMS | 1 | AUX320133 | | |
| 39401 | ◆ | JACKETED FRONT COVER H FLO 65 - CONNECTIONS CLAMP ASME-BPE | 1 | AUX320762 | | |
| 39401 | ◆ | JACKETED FRONT COVER H FLO 65 - CONNECTIONS CLAMP ISO 2852 | 1 | AUX320763 | | |
| 39401 | ◆ | JACKETED FRONT COVER H FLO 65 - CONNECTIONS DIN 11851 | 1 | AUX320761 | | |
| 39401 | ◆ | JACKETED FRONT COVER H FLO 65 - CONNECTIONS SMS | 1 | AUX320760 | | |
| 39401 | ◆ | JACKETED FRONT COVER H FLO 65 - CONNECTIONS DIN 11864 | 1 | AUX320764 | | |
| 39401 | ◆ | POLISH FRONT COVER H FLO 65 - CONNECTIONS CLAMP ASME-BPE | 1 | AUX320852 | | |
| 39401 | ◆ | POLISH FRONT COVER H FLO 65 - CONNECTIONS CLAMP ISO 2852 | 1 | AUX320853 | | |
| 39401 | ◆ | POLISH FRONT COVER H FLO 65 - CONNECTIONS DIN 11851 | 1 | AUX320851 | | |
| 39401 | ◆ | POLISH FRONT COVER H FLO 65 - CONNECTIONS SMS | 1 | AUX320850 | | |
| 39401 | ◆ | POLISH FRONT COVER H FLO 65 - CONNECTIONS DIN 11864 | 1 | AUX320854 | | |

H-FLO 65 HP

* 1, 2, 4... : Quantity in equipment - (1), (2), (4)... : Quantity in kit

| Item | Available | Description | Qty* | Ref. | Maintenance kit | Wear part |
|---------------|-----------|--|----------|------------------|-----------------|-----------|
| 39596 | ◆ | H FLO 65 COMPLETE TRANSMISSION : | 1 | AUX321204 | ■ | ● |
| 39599 | | TRANSMISSION | (1) | | | |
| 39008A | ◆ | SET PLUGS_LIFTING EYE BOLTS | 1 | AUX319682 | | |
| 39701 | | LIFTING EYE BOLTS | (1) | | | |
| 39715 | ◆ | BREATHER | 1 | AUX239151 | | ● |
| 39772 | | OIL LEVEL INDICATOR | (1) | | | |
| 39773 | | PLUG | (1) | | | |
| 39774 | | SEAL WASHER | (1) | | | ● |
| 39009A | ◆ | BEARING GASKETS _ RING SET | 1 | AUX319683 | | ● |
| 39507 | | INTERNAL RING | (1) | | | ● |
| 39516 | | CIRCLIPS | (1) | | | ● |
| 39518 | | O-RING FKM | (1) | | | ● |
| 39602 | | SEAL | (1) | | | ● |
| 39608 | | LIP SEAL | (1) | | | ● |
| 39608A | | LIP SEAL | (1) | | | ● |
| 39733 | | SEAL | (1) | | | ● |
| 39017A | ◆ | BELLOWS REPLACEMENT KIT G_H FLO 65 HP : | 1 | AUX321492 | ■ | |
| | | STANDARD | | | | |
| 39017 | | SET BELLOWS | (1) | | | |
| 39524 | | BELLOWS | (1) | | | |
| 39533 | | SCREW | (1) | | | |
| 39548 | | | 0 (1) | | | |
| 39023 | | SET PLUGS FOR BELLOWS | (1) | | | |
| 39533A | | SCREW | (1) | | | |
| 39585A | | BELLOW MOUNTING SCREW FLO 65 | (1) | | | |
| 39016 | ◆ | SCREWS SET FOR BELLOWS G_H FLO 50_65 | 1 | AUX319677 | | |
| 39529 | | SCREW | (4) | | | |
| 39723 | | PIN | (1) | | | |
| 39733 | | SEAL | (1) | | | |
| 39585 | ◆ | BELLOW MOUNTING TOOLS G_H FLO 65 | 1 | AUX321488 | | |