



P.L. : 1013-H01

Effective
Replaces

July 2024
April 2023

PARTS LIST

PUMPS

H-FLO 11 S - H-FLO 15 S
H-FLO 25 S - H-FLO 40 S - H-FLO 50 S
H-FLO 65 S - H-FLO 65 HP

Keep this parts lists with Installation, Operation and Maintenance Instructions.

To order the required spare parts, indicate the desired Reference(s).

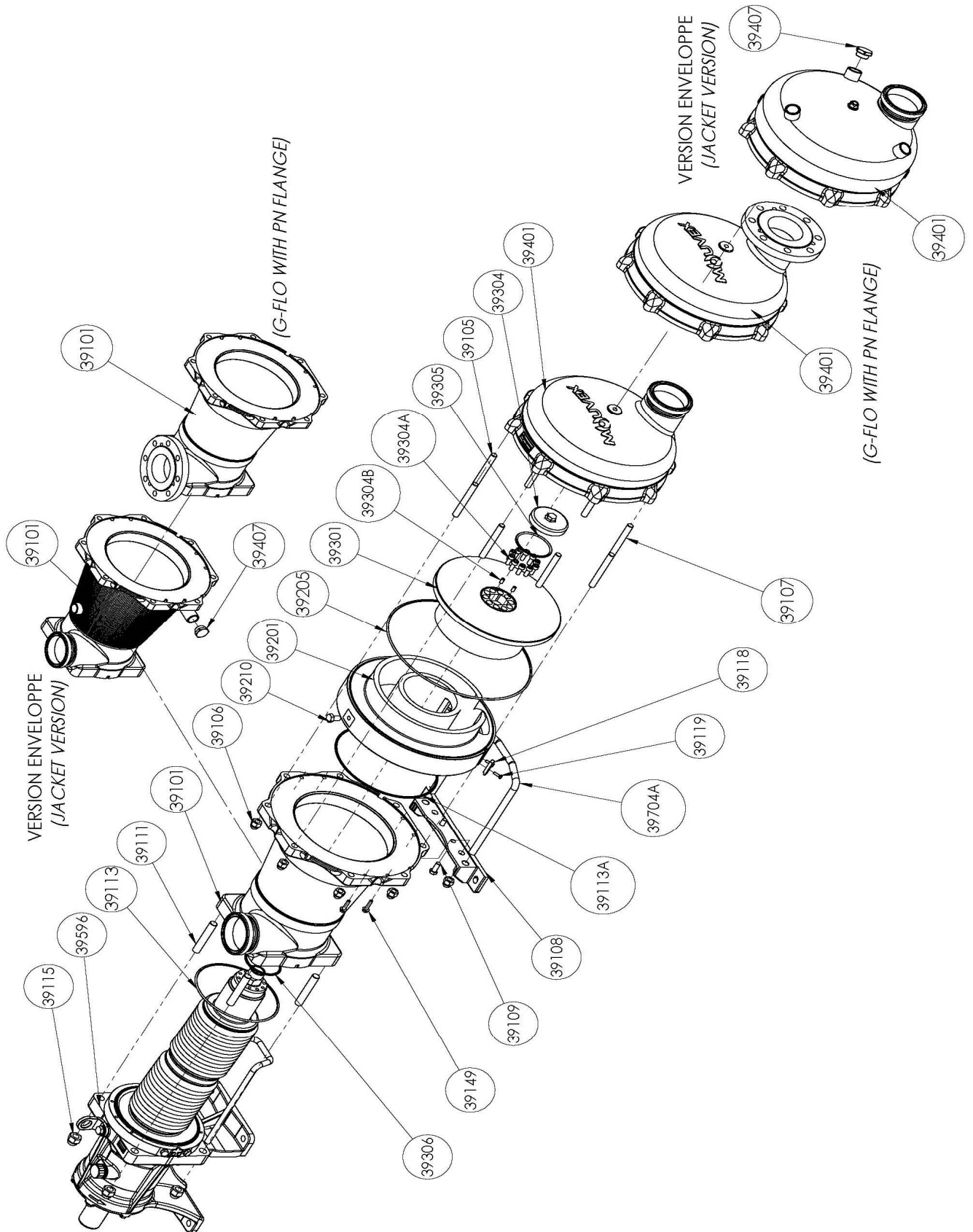
- ◆ Sets of parts or parts available to order.

CVT : FEP encapsulated FKM

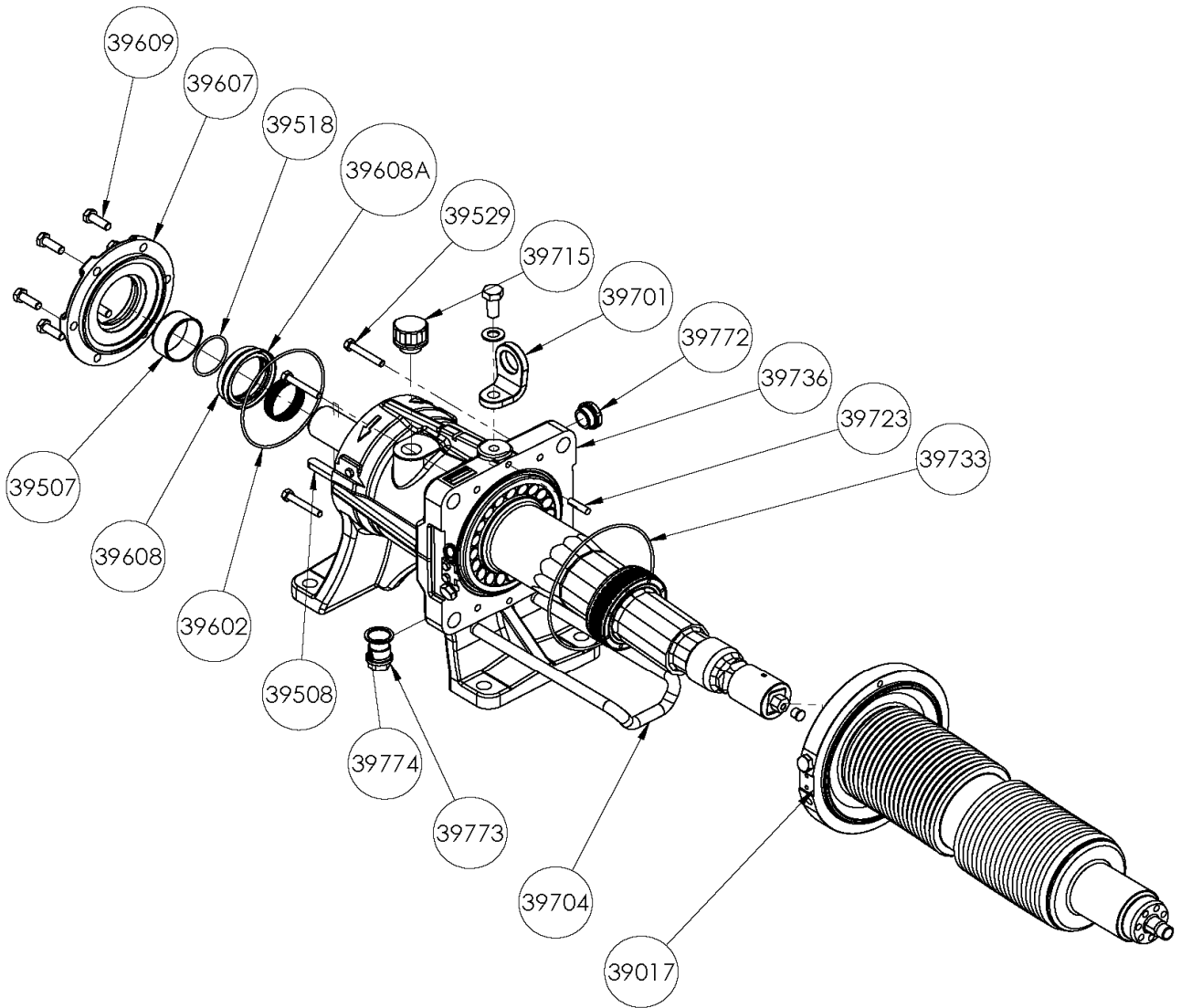
Z.I. la Plaine des Isles - 2 rue des Caillottes F-89000 AUXERRE - France

Tel : +33 (0)3 86 49 86 30 • Fax : +33 (0)3 86 49 87 17
contact.mouvex@psgdover.com • www.mouvex.com

H-FLO 11 S - H-FLO 15 S - H-FLO 25 S - H-FLO 40 S - H-FLO 50 S - H-FLO 65 S - H-FLO 65 HP
Standard & Jacketed pump



H-FLO 11 S - H-FLO 15 S - H-FLO 25 S - H-FLO 40 S - H-FLO 50 S - H-FLO 65 S - H-FLO 65 HP
Transmission



H-FLO 11 S - H-FLO 15 S

* 1, 2, 4... : Quantity in equipment - (1), (2), (4)... : Quantity in kit

Item	Available	Description	Qty*	Ref.	Maintenance kit	Wear part
39100	◆	MAIN BODY H FLO 11_15 - CONNECTIONS CLAMP ASME-BPE	1	AUX321069		
39100	◆	MAIN BODY H FLO 11_15 - CONNECTIONS CLAMP ISO 2852	1	AUX321070		
39100	◆	MAIN BODY H FLO 11_15 - CONNECTIONS DIN 11851	1	AUX321068		
39100	◆	MAIN BODY H FLO 11_15 - CONNECTIONS SMS	1	AUX321067		
39100	◆	MAIN BODY H FLO 11_15 - CONNECTIONS DIN 11864	1	AUX321071		
39100	◆	JACKETED MAIN BODY H FLO 11_15 - CONNECTIONS CLAMP ASME-BPE	1	AUX321081		
39100	◆	JACKETED MAIN BODY H FLO 11_15 - CONNECTIONS CLAMP ISO 2852	1	AUX321082		
39100	◆	JACKETED MAIN BODY H FLO 11_15 - CONNECTIONS DIN 11851	1	AUX321080		
39100	◆	JACKETED MAIN BODY H FLO 11_15 - CONNECTIONS SMS	1	AUX321079		
39100	◆	JACKETED MAIN BODY H FLO 11_15 - CONNECTIONS DIN 11864	1	AUX321083		
39100	◆	POLISH MAIN BODY H FLO 11_15 - CONNECTIONS CLAMP ASME-BPE	1	AUX321092		
39100	◆	POLISH MAIN BODY H FLO 11_15 - CONNECTIONS CLAMP ISO 2852	1	AUX321093		
39100	◆	POLISH MAIN BODY H FLO 11_15 - CONNECTIONS DIN 11851	1	AUX321091		
39100	◆	POLISH MAIN BODY H FLO 11_15 - CONNECTIONS SMS	1	AUX321090		
39100	◆	POLISH MAIN BODY H FLO 11_15 - CONNECTIONS DIN 11864	1	AUX321094		
39101		MAIN BODY	(1)			
39108		FOOT	(1)			
39109		SCREW	(2)			
39124		PLUG (JACKETED PUMP)	(1)			
39704A		BRACKET	(1)			
39110	◆	SCREWS SET FOR MAIN BODY_FRONT COVER G_H FLO 11_15 S	1	AUX321098		
39105		STUD	(6)			
39106		BLIND NUT	(8)			
39107		STUD	(2)			
39111		STUD	(4)			
39115		BLIND NUT	(4)			
39149		SCREW	(4)			
39200	◆	SET CYLINDER_PISTON G_H FLO 11 S	1	AUX321201	■	
39200	◆	SET CYLINDER_PISTON G_H FLO 15 S	1	AUX321099	■	
39118		INDEXER	(1)			
39119		SCREW	(2)			
39201		CYLINDER	(1)			●
39210		SCREW	(1)			
39301		PISTON	(1)			●
39304	◆	PISTON NUT	1	AUX242575		●
39304A		SCREW	(7)			
39304B		SCREW	(4)			
39206	◆	SET OF CVT CE1935/2004 'O' RING SEALS G_H FLO 11_15 S	1	AUX321096	■	
39206	◆	SET OF EPDM CE1935/2004 'O' RING SEALS G_H FLO 11_15 S	1	AUX321097	■	
39206	◆	SET OF FKM CE1935/2004 'O' RING SEALS G_H FLO 11_15 S	1	AUX321095	■	
39113		SEAL	(1)			●
39113A		SEAL	(1)			●
39205		SEAL	(1)			●
39305		SEAL	(1)			●
39306		SEAL	(1)			●
39401	◆	FRONT COVER H FLO 11_15 - CONNECTION CLAMP ASME BPE-2009	1	AUX321040		
39401	◆	FRONT COVER H FLO 11_15 - CONNECTION DIN11864	1	AUX321042		
39401	◆	FRONT COVER H FLO 11_15 - CONNECTION CLAMP ISO 2852	1	AUX321041		
39401	◆	FRONT COVER H FLO 11_15 - CONNECTION DIN11851	1	AUX321039		
39401	◆	FRONT COVER H FLO 11_15 - CONNECTION SMS	1	AUX321038		
39401	◆	JACKETED FRONT COVER H FLO 11_15 - CONNECTIONS CLAMP ASME-BPE	1	AUX321052		
39401	◆	JACKETED FRONT COVER H FLO 11_15 - CONNECTIONS CLAMP ISO 2852	1	AUX321053		
39401	◆	JACKETED FRONT COVER H FLO 11_15 - CONNECTIONS DIN 11851	1	AUX321051		
39401	◆	JACKETED FRONT COVER H FLO 11_15 - CONNECTIONS SMS	1	AUX321050		
39401	◆	JACKETED FRONT COVER H FLO 11_15 - CONNECTIONS DIN 11864	1	AUX321054		
39401	◆	POLISH FRONT COVER H FLO 11_15 - CONNECTIONS CLAMP ASME-BPE	1	AUX321058		
39401	◆	POLISH FRONT COVER H FLO 11_15 - CONNECTIONS CLAMP ISO 2852	1	AUX321059		
39401	◆	POLISH FRONT COVER H FLO 11_15 - CONNECTIONS DIN 11851	1	AUX321057		
39401	◆	POLISH FRONT COVER H FLO 11_15 - CONNECTIONS SMS	1	AUX321056		
39401	◆	POLISH FRONT COVER H FLO 11_15 - CONNECTIONS DIN 11864	1	AUX321060		

H-FLO 11 S - H-FLO 15 S

* 1, 2, 4... : Quantity in equipment - (1), (2), (4)... : Quantity in kit

Item	Available	Description	Qty*	Ref.	Maintenance kit	Wear part
		H FLO 11_15 S COMPLETE TRANSMISSION :				
		STANDARD				
39596	◆	STANDARD	1	AUX321250	■	●
39596*	◆	STANDARD_ECS	1	AUX321256	■	●
39596*	◆	STANDARD_ECS_OIL LEVEL SENSOR	1	AUX321257	■	●
39596*	◆	STANDARD_ATEX_ECS_OIL LEVEL SENSOR	1	AUX321292	■	●
		WITH BELLOWS MONITORING SYSTEM (BMS)				
39596*	◆	BMS	1	AUX321377	■	●
39596*	◆	BMS_ECS	1	AUX321379	■	●
39596*	◆	BMS_ECS_OIL LEVEL SENSOR	1	AUX321380	■	●
		WITH BELLOWS MONITORING SYSTEM (BMS) ATEX				
39596*	◆	BMS ATEX	1	AUX321378	■	●
39596*	◆	BMS ATEX_ECS	1	AUX321381	■	●
39596*	◆	BMS ATEX_ECS_OIL LEVEL SENSOR	1	AUX321382	■	●
39008A	◆	SET PLUGS_LIFTING EYE BOLTS G_H FLO 11_15 S	1	AUX321100		
39008A	◆	SET PLUGS_LIFTING EYE BOLTSE - ECS G_H FLO 11_15 S	1	AUX321113		
39701		LIFTING EYE BOLTS	(1)			
39701A		SCREW	(1)			
39701B		WASHER	(1)			
39715	◆	BREATHER (EXCEPT ECS)	1	AUX239151		●
39772		OIL LEVEL INDICATOR (EXCEPT ECS)	(1)			
39773		PLUG	(1)			
39774		SEAL WASHER	(1)			●
39009A	◆	BEARING GASKETS_RINGS SET G_H FLO 11_15 S	1	AUX321101		
39498		BUSHING	(1)			
39507		SEAL RING	(1)			●
39518		SEAL	(1)			●
39602		SEAL	(1)			
39608		LIP SEAL	(1)			●
39608A		LIP SEAL	(1)			●
39733		O-RING	(1)			●
		BELLOWS REPLACEMENT KIT G_H FLO 11_15 S :				
		STANDARD				
39017A	◆	SET BELLOWS	1	AUX321591	■	
39017		SET BELLOWS	(1)			
39524		BELLOWS	(1)			
39533		PLUG	(1)			
39541		SEAL	(1)			
39023		SET PLUGS FOR BELLOWS	(1)			
39016	◆	SCREWS SET FOR BELLOWS G_H FLO 11_15_25	1	AUX320985		
39529		SCREW	(4)			
39723		PIN	(1)			
39533A		SCREW	(1)			
39733		O-RING	(1)			
39602		O-RING	(1)			
39017A	◆	WITH BELLOWS MONITORING SYSTEM (BMS)	1	AUX321592	■	
39017A	◆	WITH BELLOWS MONITORING SYSTEM (BMS) ATEX	1	AUX321593	■	
39017		SET BELLOWS WITH BMS	(1)			
39519		BUSHING	(1)			
39522		SEAL RING	(1)			
39524		BELLOWS	(1)			
39533		PLUG	(1)			
39541		SEAL	(1)			
39023		SET BELLOWS BMS	(1)			
39016	◆	SCREWS SET FOR BELLOWS G_H FLO 11_15_25	1	AUX320985		
39529		SCREW	(4)			
39723		PIN	(1)			
39533A		SCREW	(1)			
39733		O-RING	(1)			
39602		O-RING	(1)			
39585	◆	BELLOW MOUNTING TOOLS G_H FLO 11_15	1	AUX321589		
39749	◆	KIT EASY CLEAN SYSTEM (ECS) G_H FLO 11_15_25_40_50	1	AUX321458		
39748	◆	SET SEAL FOR ECS G_H FLO 11_15_25_40_50	1	AUX321455		

* ECS : EASY CLEAN SYSTEM - BMS : BELLOWS MONITORING SYSTEM

H-FLO 25 S

* 1, 2,4... : Quantity in equipment - (1), (2), (4)... : Quantity in kit

Item	Available	Description	Qty*	Ref.	Maintenance kit	Wear part
39100	◆	MAIN BODY H FLO 25 - CONNECTIONS CLAMP ASME-BPE	1	AUX320956		
39100	◆	MAIN BODY H FLO 25 - CONNECTIONS CLAMP ISO 2852	1	AUX320957		
39100	◆	MAIN BODY H FLO 25 - CONNECTIONS DIN 11851	1	AUX320955		
39100	◆	MAIN BODY H FLO 25 - CONNECTIONS SMS	1	AUX320954		
39100	◆	MAIN BODY H FLO 25 - CONNECTIONS DIN 11864	1	AUX320958		
39100	◆	JACKETED MAIN BODY H FLO 25 - CONNECTIONS CLAMP ASME-BPE	1	AUX320969		
39100	◆	JACKETED MAIN BODY H FLO 25 - CONNECTIONS CLAMP ISO 2852	1	AUX320970		
39100	◆	JACKETED MAIN BODY H FLO 25 - CONNECTIONS DIN 11851	1	AUX320968		
39100	◆	JACKETED MAIN BODY H FLO 25 - CONNECTIONS SMS	1	AUX320967		
39100	◆	JACKETED MAIN BODY H FLO 25 - CONNECTIONS DIN 11864	1	AUX320971		
39100	◆	POLISH MAIN BODY H FLO 25 - CONNECTIONS CLAMP ASME-BPE	1	AUX320975		
39100	◆	POLISH MAIN BODY H FLO 25 - CONNECTIONS CLAMP ISO 2852	1	AUX320976		
39100	◆	POLISH MAIN BODY H FLO 25 - CONNECTIONS DIN 11851	1	AUX320974		
39100	◆	POLISH MAIN BODY H FLO 25 - CONNECTIONS SMS	1	AUX320973		
39100	◆	POLISH MAIN BODY H FLO 25 - CONNECTIONS DIN 11864	1	AUX320977		
39101		MAIN BODY	(1)			
39108		FOOT	(1)			
39109		SCREW	(2)			
39124		PLUG (JACKETED PUMP)	(1)			
39704A		BRACKET	(1)			
39110	◆	SCREWS SET FOR MAIN BODY_FRONT COVER G_H FLO 25 S	1	AUX320981		
39105		STUD	(6)			
39106		BLIND NUT	(8)			
39107		STUD	(2)			
39111		STUD	(4)			
39115		BLIND NUT	(4)			
39149		SCREW	(4)			
39200	◆	SET CYLINDER_PISTON G_H FLO 25 S	1	AUX321006	■	
39118		INDEXER	(1)			
39119		SCREW	(2)			
39201		CYLINDER	(1)			●
39210		SCREW	(1)			
39301		PISTON	(1)			●
39304	◆	PISTON NUT	1	AUX242327		●
39304A		SCREW	(7)			
39304B		SCREW	(4)			
39206	◆	SET OF CVT CE1935/2004 'O' RING SEALS G_H FLO 25 S	1	AUX320979	■	
39206	◆	SET OF EPDM CE1935/2004 'O' RING SEALS G_H FLO 25 S	1	AUX320980	■	
39206	◆	SET OF FKM CE1935/2004 'O' RING SEALS G_H FLO 25 S	1	AUX320978	■	
39113		SEAL	(1)			●
39113A		SEAL	(1)			●
39205		SEAL	(1)			●
39305		SEAL	(1)			●
39306		SEAL	(1)			●
39401	◆	FRONT COVER H FLO 25 - CONNECTION CLAMP ASME BPE-2009	1	AUX320921		
39401	◆	FRONT COVER H FLO 25 - CONNECTION DIN11864	1	AUX320923		
39401	◆	FRONT COVER H FLO 25 - CONNECTION CLAMP ISO 2852	1	AUX320922		
39401	◆	FRONT COVER H FLO 25 - CONNECTION DIN11851	1	AUX320920		
39401	◆	FRONT COVER H FLO 25 - CONNECTION SMS	1	AUX320919		
39401	◆	JACKETED FRONT COVER H FLO 25 - CONNECTIONS CLAMP ASME-BPE	1	AUX320950		
39401	◆	JACKETED FRONT COVER H FLO 25 - CONNECTIONS CLAMP ISO 2852	1	AUX320951		
39401	◆	JACKETED FRONT COVER H FLO 25 - CONNECTIONS DIN 11851	1	AUX320949		
39401	◆	JACKETED FRONT COVER H FLO 25 - CONNECTIONS SMS	1	AUX320948		
39401	◆	JACKETED FRONT COVER H FLO 25 - CONNECTIONS DIN 11864	1	AUX320952		
39401	◆	POLISH FRONT COVER H FLO 25 - CONNECTIONS CLAMP ASME-BPE	1	AUX320927		
39401	◆	POLISH FRONT COVER H FLO 25 - CONNECTIONS CLAMP ISO 2852	1	AUX320928		
39401	◆	POLISH FRONT COVER H FLO 25 - CONNECTIONS DIN 11851	1	AUX320926		
39401	◆	POLISH FRONT COVER H FLO 25 - CONNECTIONS SMS	1	AUX320925		
39401	◆	POLISH FRONT COVER H FLO 25 - CONNECTIONS DIN 11864	1	AUX320929		

H-FLO 25 S

* 1, 2,4... : Quantity in equipment - (1), (2), (4)... : Quantity in kit

Item	Available	Description	Qty*	Ref.	Maintenance kit	Wear part
H FLO 25 S COMPLETE TRANSMISSION :						
STANDARD						
39596	◆	STANDARD	1	AUX321235	■	●
39596*	◆	STANDARD_ECS	1	AUX321240	■	●
39596*	◆	STANDARD_ECS_OIL LEVEL SENSOR	1	AUX321241	■	●
39596*	◆	STANDARD_ATEX_ECS_OIL LEVEL SENSOR	1	AUX321291	■	●
WITH BELLOWS MONITORING SYSTEM (BMS)						
39596*	◆	BMS	1	AUX321340	■	●
39596*	◆	BMS_ECS	1	AUX321342	■	●
39596*	◆	BMS_ECS_OIL LEVEL SENSOR	1	AUX321343	■	●
WITH BELLOWS MONITORING SYSTEM (BMS) ATEX						
39596*	◆	BMS ATEX	1	AUX321341	■	●
39596*	◆	BMS ATEX_ECS	1	AUX321344	■	●
39596*	◆	BMS ATEX_ECS_OIL LEVEL SENSOR	1	AUX321345	■	●
39008A	◆	SET PLUGS_LIFTING EYE BOLTS	1	AUX320982		
39008A	◆	SET PLUGS_LIFTING EYE BOLTSE - ECS	1	AUX320995		
39701		LIFTING EYE BOLTS	(1)			
39701A		SCREW	(1)			
39701B		WASHER	(1)			
39715	◆	BREATHER (EXCEPT ECS)	1	AUX239151		●
39772		OIL LEVEL INDICATOR (EXCEPT ECS)	(1)			
39773		PLUG	(1)			
39774		SEAL WASHER	(1)			●
39009A	◆	BEARING GASKETS_RINGS SET	1	AUX320983		
39498		BUSHING	(1)			
39507		SEAL RING	(1)			●
39518		SEAL	(1)			●
39602		SEAL	(1)			
39608		LIP SEAL	(1)			●
39608A		LIP SEAL	(1)			●
39733		O-RING	(1)			●

H-FLO 25 S

* 1, 2, 4... : Quantity in equipment - (1), (2), (4)... : Quantity in kit

Item	Available	Description	Qty*	Ref.	Maintenance kit	Wear part
39017A	◆	BELLOWS REPLACEMENT KIT G_H FLO 25 S :	1	AUX321594	■	
		STANDARD				
39017		SET BELLOWS	(1)			
39524		BELLOWS	(1)			
39533		PLUG	(1)			
39541		SEAL	(1)			
39023		SET PLUGS FOR BELLOWS	(1)			
39016	◆	SCREWS SET FOR BELLOWS G_H FLO 11_15_25	1	AUX320985		
39529		SCREW	(4)			
39723		PIN	(1)			
39533A		SCREW	(1)			
39733		O-RING	(1)			
39602		O-RING	(1)			
39016	◆	SCREWS SET FOR BELLOWS G_H FLO 11_15_25	1	AUX320985		
39529		SCREW	(4)			
39723		PIN	(1)			
39017A	◆	WITH BELLOWS MONITORING SYSTEM (BMS)	1	AUX321595	■	
39017A	◆	WITH BELLOWS MONITORING SYSTEM (BMS) ATEX	1	AUX321596	■	
39017		SET BELLOWS WITH BMS	(1)			
39519		BUSHING	(1)			
39522		SEAL RING	(1)			
39524		BELLOWS	(1)			
39533		PLUG	(1)			
39541		SEAL	(1)			
39023		SET BELLOWS BMS	(1)			
39016	◆	SCREWS SET FOR BELLOWS G_H FLO 11_15_25	1	AUX320985		
39529		SCREW	(4)			
39723		PIN	(1)			
39533A		SCREW	(1)			
39733		SEAL	(1)			
39602		O-RING	(1)			
39585	◆	BELLOW MOUNTING TOOLS G_H FLO 25	1	AUX321590		
39749	◆	KIT EASY CLEAN SYSTEM (ECS) G_H FLO 11_15_25_40_50	1	AUX321458		
39748	◆	SET SEAL FOR ECS G_H FLO 11_15_25_40_50	1	AUX321455		

* ECS : EASY CLEAN SYSTEM - BMS : BELLOWS MONITORING SYSTEM

H-FLO 40 S

* 1, 2, 4... : Quantity in equipment - (1), (2), (4)... : Quantity in kit

Item	Available	Description	Qty*	Ref.	Maintenance kit	Wear part
39100	◆	MAIN BODY H FLO 40- CONNECTIONS CLAMP ASME-BPE	1	AUX320643		
39100	◆	MAIN BODY H FLO 40- CONNECTIONS CLAMP ISO 2852	1	AUX320644		
39100	◆	MAIN BODY H FLO 40- CONNECTIONS DIN 11851	1	AUX320642		
39100	◆	MAIN BODY H FLO 40- CONNECTIONS SMS	1	AUX320641		
39100	◆	MAIN BODY H FLO 40- CONNECTIONS DIN 11864	1	AUX320645		
39100	◆	JACKETED MAIN BODY H FLO 40 - CONNECTIONS CLAMP ASME-BPE	1	AUX320750		
39100	◆	JACKETED MAIN BODY H FLO 40 - CONNECTIONS CLAMP ISO 2852	1	AUX320751		
39100	◆	JACKETED MAIN BODY H FLO 40 - CONNECTIONS DIN 11851	1	AUX320749		
39100	◆	JACKETED MAIN BODY H FLO 40 - CONNECTIONS SMS	1	AUX320748		
39100	◆	JACKETED MAIN BODY H FLO 40 - CONNECTIONS DIN 11864	1	AUX320752		
39100	◆	POLISH MAIN BODY H FLO 40 - CONNECTIONS CLAMP ASME-BPE	1	AUX320832		
39100	◆	POLISH MAIN BODY H FLO 40 - CONNECTIONS CLAMP ISO 2852	1	AUX320833		
39100	◆	POLISH MAIN BODY H FLO 40 - CONNECTIONS DIN 11851	1	AUX320831		
39100	◆	POLISH MAIN BODY H FLO 40 - CONNECTIONS SMS	1	AUX320830		
39100	◆	POLISH MAIN BODY H FLO 40 - CONNECTIONS DIN 11864	1	AUX320834		
39101		MAIN BODY	(1)			
39108		FOOT	(1)			
39109		SCREW	(2)			
39124		PLUG (JACKETED PUMP)	(1)			
39704A		BRACKET	(1)			
39110	◆	SCREWS SET FOR MAIN BODY_FRONT COVER G_H FLO 40 S	1	AUX320768		
39105		STUD	(6)			
39106		BLIND NUT	(8)			
39107		STUD	(2)			
39111		STUD	(4)			
39115		BLIND NUT	(4)			
39149		SCREW	(4)			
39200	◆	SET CYLINDER_PISTON G_H FLO 40 S	1	AUX320662	■	
39118		INDEXER	(1)			
39119		SCREW	(2)			
39201		CYLINDER	(1)			●
39210		SCREW	(1)			
39301		PISTON	(1)			●
39304	◆	PISTON NUT	1	AUX240594		●
39304A		SCREW	(10)			
39304B		SCREW	(2)			
39206	◆	SET OF CVT CE1935/2004 'O' RING SEALS G_H FLO 40 S	1	AUX320647	■	
39206	◆	SET OF EPDM CE1935/2004 'O' RING SEALS G_H FLO 40 S	1	AUX320648	■	
39206	◆	SET OF FKM CE1935/2004 'O' RING SEALS G_H FLO 40 S	1	AUX320646	■	
39113		SEAL	(1)			●
39113A		SEAL	(1)			●
39205		SEAL	(1)			●
39305		SEAL	(2)			●
39306		SEAL	(1)			●
39401	◆	FRONT COVER H FLO 40 CONNECTION CLAMP ASME BPE-2009	1	AUX320638		
39401	◆	FRONT COVER H FLO 40 CONNECTION DIN11864	1	AUX320639		
39401	◆	FRONT COVER H FLO 40 CONNECTION CLAMP ISO 2852	1	AUX320588		
39401	◆	FRONT COVER H FLO 40 CONNECTION DIN11851	1	AUX320637		
39401	◆	FRONT COVER H FLO 40 CONNECTION SMS	1	AUX320636		
39401	◆	JACKETED FRONT COVER H FLO 40 - CONNECTIONS CLAMP ASME-BPE	1	AUX320738		
39401	◆	JACKETED FRONT COVER H FLO 40 - CONNECTIONS CLAMP ISO 2852	1	AUX320739		
39401	◆	JACKETED FRONT COVER H FLO 40 - CONNECTIONS DIN 11851	1	AUX320737		
39401	◆	JACKETED FRONT COVER H FLO 40 - CONNECTIONS SMS	1	AUX320736		
39401	◆	JACKETED FRONT COVER H FLO 40 - CONNECTIONS DIN 11864	1	AUX320740		
39401	◆	POLISH FRONT COVER H FLO 40 - CONNECTIONS CLAMP ASME-BPE	1	AUX320821		
39401	◆	POLISH FRONT COVER H FLO 40 - CONNECTIONS CLAMP ISO 2852	1	AUX320822		
39401	◆	POLISH FRONT COVER H FLO 40 - CONNECTIONS DIN 11851	1	AUX320820		
39401	◆	POLISH FRONT COVER H FLO 40 - CONNECTIONS SMS	1	AUX320819		
39401	◆	POLISH FRONT COVER H FLO 40 - CONNECTIONS DIN 11864	1	AUX320823		

H-FLO 40 S

* 1, 2,4... : Quantity in equipment - (1), (2), (4)... : Quantity in kit

Item	Available	Description	Qty*	Ref.	Maintenance kit	Wear part
		H FLO 40 S COMPLETE TRANSMISSION :				
		STANDARD				
39596	◆	STANDARD	1	AUX321220	■	●
39596*	◆	STANDARD_ECS	1	AUX321225	■	●
39596*	◆	STANDARD_ECS_OIL LEVEL SENSOR	1	AUX321226	■	●
39596*	◆	STANDARD_ATEX_ECS_OIL LEVEL SENSOR	1	AUX320888	■	●
		WITH BELLOWS MONITORING SYSTEM (BMS)				
39596*	◆	BMS	1	AUX321365	■	●
39596*	◆	BMS_ECS	1	AUX321367	■	●
39596*	◆	BMS_ECS_OIL LEVEL SENSOR	1	AUX321368	■	●
		WITH BELLOWS MONITORING SYSTEM (BMS) ATEX				
39596*	◆	BMS ATEX	1	AUX321366	■	●
39596*	◆	BMS ATEX_ECS	1	AUX321369	■	●
39596*	◆	BMS ATEX_ECS_OIL LEVEL SENSOR	1	AUX321370	■	●
39008A	◆	SET PLUGS_LIFTING EYE BOLTS	1	AUX320673		
39008A	◆	SET PLUGS_LIFTING EYE BOLTSE - ECS	1	AUX320891		
39701		LIFTING EYE BOLTS	(1)			
39701A		SCREW	(1)			
39701B		WASHER	(1)			
39715	◆	BREATHER (EXCEPT ECS)	1	AUX239151		●
39772		OIL LEVEL INDICATOR (EXCEPT ECS)	(1)			
39773		PLUG	(1)			
39774		SEAL WASHER	(1)			●
39009A	◆	BEARING GASKETS_RINGS SET	1	AUX320246		
39498		BUSHING	(1)			
39507		SEAL RING	(1)			●
39518		SEAL	(1)			●
39602		SEAL	(1)			
39608		LIP SEAL	(1)			●
39608A		LIP SEAL	(1)			●
39733		O-RING	(1)			●

H-FLO 40 S

* 1, 2, 4... : Quantity in equipment - (1), (2), (4)... : Quantity in kit

Item	Available	Description	Qty*	Ref.	Maintenance kit	Wear part
39017A	◆	BELLOWS REPLACEMENT KIT G_H FLO 40 S :	1	AUX321496	■	
		STANDARD				
39017		SET BELLOWS	(1)			
39519		BUSHING	(1)			
39522		SEAL RING	(1)			
39524		BELLOWS	(1)			
39533		SCREW	(1)			
39548		DISC	(1)			
39590		BELLOWS PROTECTION	(1)			
39023		SET PLUGS FOR BELLOWS	(1)			
39533A		SCREW	(1)			
39585A		BELLOW MOUNTING SCREW FLO 40	(1)			
39016	◆	SCREWS SET FOR BELLOWS G_H FLO 40	1	AUX320663		
39529		SCREW	(4)			
39723		PIN	(1)			
39733		O-RING	(1)			
39017A	◆	WITH BELLOWS MONITORING SYSTEM (BMS)	1	AUX321497	■	
39017A	◆	WITH BELLOWS MONITORING SYSTEM (BMS) ATEX	1	AUX321498	■	
39017		SET BELLOWS	(1)			
39519		BUSHING	(1)			
39522		SEAL RING	(1)			
39524		BELLOWS	(1)			
39533		SCREW	(1)			
39548		DISC	(1)			
39590		BELLOWS PROTECTION	(1)			
39023		SET BELLOWS BMS	(1)			
39533A		SCREW	(1)			
39585A		BELLOW MOUNTING SCREW FLO 40	(1)			
39016	◆	SCREWS SET FOR BELLOWS G_H FLO 40	1	AUX320663		
39529		SCREW	(4)			
39723		PIN	(1)			
39733		O-RING	(1)			
39585	◆	BELLOW MOUNTING TOOLS G_H FLO 40	1	AUX321490		
39749	◆	KIT EASY CLEAN SYSTEM (ECS) G_H FLO 11_15_25_40_50	1	AUX321458		
39748	◆	SET SEAL FOR ECS G_H FLO 11_15_25_40_50	1	AUX321455		

* ECS : EASY CLEAN SYSTEM - BMS : BELLOWS MONITORING SYSTEM

H-FLO 50 S

* 1, 2, 4... : Quantity in equipment - (1), (2), (4)... : Quantity in kit

Item	Available	Description	Qty*	Ref.	Maintenance kit	Wear part
39100	◆	MAIN BODY H FLO 50- CONNECTIONS CLAMP ASME-BPE	1	AUX320212		
39100	◆	MAIN BODY H FLO 50- CONNECTIONS CLAMP ISO 2852	1	AUX320213		
39100	◆	MAIN BODY H FLO 50- CONNECTIONS DIN 11851	1	AUX320211		
39100	◆	MAIN BODY H FLO 50- CONNECTIONS SMS	1	AUX320210		
39100	◆	MAIN BODY H FLO 50- CONNECTIONS DIN 11864	1	AUX320214		
39100	◆	JACKETED MAIN BODY H FLO 50 - CONNECTIONS CLAMP ASME-BPE	1	AUX320725		
39100	◆	JACKETED MAIN BODY H FLO 50 - CONNECTIONS CLAMP ISO 2852	1	AUX320726		
39100	◆	JACKETED MAIN BODY H FLO 50 - CONNECTIONS DIN 11851	1	AUX320724		
39100	◆	JACKETED MAIN BODY H FLO 50 - CONNECTIONS SMS	1	AUX320723		
39100	◆	JACKETED MAIN BODY H FLO 50 - CONNECTIONS DIN 11864	1	AUX320727		
39100	◆	POLISH MAIN BODY H FLO 50 - CONNECTIONS CLAMP ASME-BPE	1	AUX320847		
39100	◆	POLISH MAIN BODY H FLO 50 - CONNECTIONS CLAMP ISO 2852	1	AUX320848		
39100	◆	POLISH MAIN BODY H FLO 50 - CONNECTIONS DIN 11851	1	AUX320846		
39100	◆	POLISH MAIN BODY H FLO 50 - CONNECTIONS SMS	1	AUX320845		
39100	◆	POLISH MAIN BODY H FLO 50 - CONNECTIONS DIN 11864	1	AUX320849		
39101		MAIN BODY	(1)			
39108		FOOT	(1)			
39109		SCREW	(2)			
39124		PLUG (JACKETED PUMP)	(1)			
39704A		BRACKET	(1)			
39110	◆	SCREWS SET FOR MAIN BODY_FRONT COVER G_H FLO 50 S	1	AUX320236		
39105		STUD	(6)			
39106		BLIND NUT	(8)			
39107		STUD	(2)			
39111		STUD	(4)			
39115		BLIND NUT	(4)			
39200	◆	SET CYLINDER_PISTON G_H FLO 50 S	1	AUX320209	■	
39118		INDEXER	(1)			
39119		SCREW	(2)			
39201		CYLINDER	(1)			●
39210		SCREW	(1)			
39301		PISTON	(1)			●
39304	◆	PISTON NUT	1	AUX240325		●
39304A		SCREW	(8)			
39304B		SCREW	(2)			
39206	◆	SET OF CVT CE1935/2004 'O' RING SEALS G_H FLO 50 S	1	AUX320186	■	
39206	◆	SET OF EPDM CE1935/2004 'O' RING SEALS G_H FLO 50 S	1	AUX320187	■	
39206	◆	SET OF FKM CE1935/2004 'O' RING SEALS G_H FLO 50 S	1	AUX320185	■	
39113		SEAL	(1)			●
39113A		SEAL	(1)			●
39205		SEAL	(1)			●
39305		SEAL	(2)			●
39306		SEAL	(1)			●
39401	◆	FRONT COVER H FLO 50 CONNECTION CLAMP ASME BPE-2009	1	AUX320600		
39401	◆	FRONT COVER H FLO 50 CONNECTION DIN11864	1	AUX320232		
39401	◆	FRONT COVER H FLO 50 CONNECTION CLAMP ISO 2852	1	AUX320231		
39401	◆	FRONT COVER H FLO 50 CONNECTION DIN11851	1	AUX320229		
39401	◆	FRONT COVER H FLO 50 CONNECTION SMS	1	AUX320228		
39401	◆	JACKETED FRONT COVER H FLO 50 - CONNECTIONS CLAMP ASME-BPE	1	AUX320713		
39401	◆	JACKETED FRONT COVER H FLO 50 - CONNECTIONS CLAMP ISO 2852	1	AUX320714		
39401	◆	JACKETED FRONT COVER H FLO 50 - CONNECTIONS DIN 11851	1	AUX320712		
39401	◆	JACKETED FRONT COVER H FLO 50 - CONNECTIONS SMS	1	AUX320711		
39401	◆	JACKETED FRONT COVER H FLO 50 - CONNECTIONS DIN 11864	1	AUX320715		
39401	◆	POLISH FRONT COVER H FLO 50 - CONNECTIONS CLAMP ASME-BPE	1	AUX320837		
39401	◆	POLISH FRONT COVER H FLO 50 - CONNECTIONS CLAMP ISO 2852	1	AUX320838		
39401	◆	POLISH FRONT COVER H FLO 50 - CONNECTIONS DIN 11851	1	AUX320836		
39401	◆	POLISH FRONT COVER H FLO 50 - CONNECTIONS SMS	1	AUX320835		
39401	◆	POLISH FRONT COVER H FLO 50 - CONNECTIONS DIN 11864	1	AUX320839		

H-FLO 50 S

* 1, 2, 4... : Quantity in equipment - (1), (2), (4)... : Quantity in kit

Item	Available	Description	Qty*	Ref.	Maintenance kit	Wear part
		H FLO 50 S COMPLETE TRANSMISSION :				
		STANDARD				
39596	◆	STANDARD	1	AUX321205	■	●
39596*	◆	STANDARD_ECS	1	AUX321210	■	●
39596*	◆	STANDARD_ECS_OIL LEVEL SENSOR	1	AUX321211	■	●
39596*	◆	STANDARD_ATEX_ECS_OIL LEVEL SENSOR	1	AUX320887	■	●
		WITH BELLOWS MONITORING SYSTEM (BMS)				
39596*	◆	BMS	1	AUX321353	■	●
39596*	◆	BMS_ECS	1	AUX321355	■	●
39596*	◆	BMS_ECS_OIL LEVEL SENSOR	1	AUX321356	■	●
		WITH BELLOWS MONITORING SYSTEM (BMS) ATEX				
39596*	◆	BMS ATEX	1	AUX321354	■	●
39596*	◆	BMS ATEX_ECS	1	AUX321357	■	●
39596*	◆	BMS ATEX_ECS_OIL LEVEL SENSOR	1	AUX321358	■	●
39008A	◆	SET PLUGS_LIFTING EYE BOLTS	1	AUX320673		
39008A	◆	SET PLUGS_LIFTING EYE BOLTSE - ECS	1	AUX320891		
39701		LIFTING EYE BOLTS	(1)			
39701A		SCREW	(1)			
39701B		WASHER	(1)			
39715	◆	BREATHER (EXCEPT ECS)	1	AUX239151		●
39772		OIL LEVEL INDICATOR (EXCEPT ECS)	(1)			
39773		PLUG	(1)			
39774		SEAL WASHER	(1)			●
39009A	◆	BEARING GASKETS_RINGS SET	1	AUX320116		
39498		BUSHING	(1)			
39507		SEAL RING	(1)			●
39518		SEAL	(1)			●
39602		SEAL	(1)			
39608		LIP SEAL	(1)			●
39608A		LIP SEAL	(1)			●
39733		O-RING	(1)			●

H-FLO 50 S

* 1, 2, 4... : Quantity in equipment - (1), (2), (4)... : Quantity in kit

Item	Available	Description	Qty*	Ref.	Maintenance kit	Wear part
39017A	◆	BELLOWS REPLACEMENT KIT G_H FLO 50 S :	1	AUX321493	■	
		STANDARD				
39017		SET BELLOWS	(1)			
39519		BUSHING	(1)			
39522		SEAL RING	(1)			
39524		BELLOWS	(1)			
39533		SCREW	(1)			
39548		DISC	(1)			
39590		BELLOWS PROTECTION	(1)			
39023		SET PLUGS FOR BELLOWS	(1)			
39533A		SCREW	(1)			
39585A		BELLOW MOUNTING SCREW FLO 50	(1)			
39016	◆	SCREWS SET FOR BELLOWS G_H FLO 50_65	1	AUX319677		
39529		SCREW	(4)			
39723		PIN	(1)			
39733		SEAL	(1)			
39017A	◆	WITH BELLOWS MONITORING SYSTEM (BMS)	1	AUX321494	■	
39017A	◆	WITH BELLOWS MONITORING SYSTEM (BMS) ATEX	1	AUX321495	■	
39017		SET BELLOWS	(1)			
39519		BUSHING	(1)			
39522		SEAL RING	(1)			
39524		BELLOWS	(1)			
39533		SCREW	(1)			
39548		DISC	(1)			
39590		BELLOWS PROTECTION	(1)			
39023		SET BELLOWS BMS	(1)			
39533A		SCREW	(1)			
39585A		BELLOW MOUNTING SCREW FLO 50	(1)			
39016	◆	SCREWS SET FOR BELLOWS G_H FLO 50_65	1	AUX319677		
39529		SCREW	(4)			
39723		PIN	(1)			
39733		SEAL	(1)			
39585	◆	BELLOW MOUNTING TOOLS G_H FLO 50	1	AUX321489		
39749	◆	KIT EASY CLEAN SYSTEM (ECS) G_H FLO 11_15_25_40_50	1	AUX321458		
39748	◆	SET SEAL FOR ECS G_H FLO 11_15_25_40_50	1	AUX321455		

* ECS : EASY CLEAN SYSTEM - BMS : BELLOWS MONITORING SYSTEM

H-FLO 65 S

* 1, 2, 4... : Quantity in equipment - (1), (2), (4)... : Quantity in kit

Item	Available	Description	Qty*	Ref.	Maintenance kit	Wear part
39100	◆	MAIN BODY H FLO 65- CONNECTIONS CLAMP ASME-BPE	1	AUX320131		
39100	◆	MAIN BODY H FLO 65- CONNECTIONS CLAMP ISO 2852	1	AUX320169		
39100	◆	MAIN BODY H FLO 65- CONNECTIONS DIN 11851	1	AUX320129		
39100	◆	MAIN BODY H FLO 65- CONNECTIONS SMS	1	AUX320127		
39100	◆	MAIN BODY H FLO 65- CONNECTIONS DIN 11864	1	AUX320172		
39100	◆	JACKETED MAIN BODY H FLO 65 - CONNECTIONS CLAMP ASME-BPE	1	AUX320775		
39100	◆	JACKETED MAIN BODY H FLO 65 - CONNECTIONS CLAMP ISO 2852	1	AUX320776		
39100	◆	JACKETED MAIN BODY H FLO 65 - CONNECTIONS DIN 11851	1	AUX320774		
39100	◆	JACKETED MAIN BODY H FLO 65 - CONNECTIONS SMS	1	AUX320773		
39100	◆	JACKETED MAIN BODY H FLO 65 - CONNECTIONS DIN 11864	1	AUX320777		
39100	◆	POLISH MAIN BODY H FLO 65 - CONNECTIONS CLAMP ASME-BPE	1	AUX320862		
39100	◆	POLISH MAIN BODY H FLO 65 - CONNECTIONS CLAMP ISO 2852	1	AUX320863		
39100	◆	POLISH MAIN BODY H FLO 65 - CONNECTIONS DIN 11851	1	AUX320861		
39100	◆	POLISH MAIN BODY H FLO 65 - CONNECTIONS SMS	1	AUX320860		
39100	◆	POLISH MAIN BODY H FLO 65 - CONNECTIONS DIN 11864	1	AUX320864		
39101		MAIN BODY	(1)			
39108		FOOT	(1)			
39109		SCREW	(2)			
39124		PLUG (JACKETED PUMP)	(1)			
39704A		BRACKET	(1)			
39110	◆	SCREWS SET FOR MAIN BODY_FRONT COVER G_H FLO 65	1	AUX319937		
39105		STUD	(6)			
39106		BLIND NUT	(8)			
39107		STUD	(2)			
39111		STUD	(4)			
39115		BLIND NUT	(4)			
39200	◆	SET CYLINDER_PISTON G_H FLO 65 S	1	AUX319913	■	
39118		INDEXER	(1)			
39119		SCREW	(2)			
39201		CYLINDER	(1)			●
39210		SCREW	(1)			
39301		PISTON	(1)			●
39304	◆	PISTON NUT	1	AUX239099		●
39304A		SCREW	(10)			
39304B		SCREW	(2)			
39206	◆	SET OF CVT CE1935/2004 'O' RING SEALS G_H FLO 65	1	AUX319929	■	
39206	◆	SET OF EPDM CE1935/2004 'O' RING SEALS G_H FLO 65	1	AUX319950	■	
39206	◆	SET OF FKM CE1935/2004 'O' RING SEALS G_H FLO 65	1	AUX319945	■	
39113		SEAL	(1)			●
39113A		SEAL	(1)			●
39205		SEAL	(1)			●
39305		SEAL	(2)			●
39306		SEAL	(1)			●
39401	◆	FRONT COVER H FLO 65 CONNECTION DIN11864	1	AUX320174		
39401	◆	FRONT COVER H FLO 65 CONNECTION CLAMP ISO 2852	1	AUX320171		
39401	◆	FRONT COVER H FLO 65 CONNECTION CLAMP ASME BPE-2009	1	AUX320602		
39401	◆	FRONT COVER H FLO 65 CONNECTION DIN11851	1	AUX320134		
39401	◆	FRONT COVER H FLO 65 CONNECTION SMS	1	AUX320133		
39401	◆	JACKETED FRONT COVER H FLO 65 - CONNECTIONS CLAMP ASME-BPE	1	AUX320762		
39401	◆	JACKETED FRONT COVER H FLO 65 - CONNECTIONS CLAMP ISO 2852	1	AUX320763		
39401	◆	JACKETED FRONT COVER H FLO 65 - CONNECTIONS DIN 11851	1	AUX320761		
39401	◆	JACKETED FRONT COVER H FLO 65 - CONNECTIONS SMS	1	AUX320760		
39401	◆	JACKETED FRONT COVER H FLO 65 - CONNECTIONS DIN 11864	1	AUX320764		
39401	◆	POLISH FRONT COVER H FLO 65 - CONNECTIONS CLAMP ASME-BPE	1	AUX320852		
39401	◆	POLISH FRONT COVER H FLO 65 - CONNECTIONS CLAMP ISO 2852	1	AUX320853		
39401	◆	POLISH FRONT COVER H FLO 65 - CONNECTIONS DIN 11851	1	AUX320851		
39401	◆	POLISH FRONT COVER H FLO 65 - CONNECTIONS SMS	1	AUX320850		
39401	◆	POLISH FRONT COVER H FLO 65 - CONNECTIONS DIN 11864	1	AUX320854		

H-FLO 65 S

* 1, 2, 4... : Quantity in equipment - (1), (2), (4)... : Quantity in kit

Item	Available	Description	Qty*	Ref.	Maintenance kit	Wear part
39596	◆	H FLO 65 COMPLETE TRANSMISSION :	1	AUX321204	■	●
39599		TRANSMISSION	(1)			
39008A	◆	SET PLUGS_LIFTING EYE BOLTS	1	AUX319682		
39701		LIFTING EYE BOLTS	(1)			
39715	◆	BREATHER	1	AUX239151		●
39772		OIL LEVEL INDICATOR	(1)			
39773		PLUG	(1)			
39774		SEAL WASHER	(1)			●
39009A	◆	BEARING GASKETS _ RING SET	1	AUX319683		●
39507		INTERNAL RING	(1)			●
39516		CIRCLIPS	(1)			●
39518		O-RING FKM	(1)			●
39602		SEAL	(1)			●
39608		LIP SEAL	(1)			●
39608A		LIP SEAL	(1)			●
39733		SEAL	(1)			●
39017A	◆	BELLOWS REPLACEMENT KIT G_H FLO 65 S :	1	AUX321491	■	
		STANDARD				
39017		SET BELLOWS	(1)			
39524		BELLOWS	(1)			
39533		SCREW	(1)			
39548		DISC	(1)			
39023		SET PLUGS FOR BELLOWS	(1)			
39533A		SCREW	(1)			
39585A		BELLOW MOUNTING SCREW FLO 65	(1)			
39016	◆	SCREWS SET FOR BELLOWS G_H FLO 50_65	1	AUX319677		
39529		SCREW	(4)			
39723		PIN	(1)			
39733		SEAL	(1)			
39585	◆	BELLOW MOUNTING TOOLS G_H FLO 65	1	AUX321488		

H-FLO 65 HP

* 1, 2,4... : Quantity in equipment - (1), (2), (4)... : Quantity in kit

Item	Available	Description	Qty*	Ref.	Maintenance kit	Wear part
39100	◆	MAIN BODY H FLO 65- CONNECTIONS CLAMP ASME-BPE	1	AUX320131		
39100	◆	MAIN BODY H FLO 65- CONNECTIONS CLAMP ISO 2852	1	AUX320169		
39100	◆	MAIN BODY H FLO 65- CONNECTIONS DIN 11851	1	AUX320129		
39100	◆	MAIN BODY H FLO 65- CONNECTIONS SMS	1	AUX320127		
39100	◆	MAIN BODY H FLO 65- CONNECTIONS DIN 11864	1	AUX320172		
39100	◆	JACKETED MAIN BODY H FLO 65 - CONNECTIONS CLAMP ASME-BPE	1	AUX320775		
39100	◆	JACKETED MAIN BODY H FLO 65 - CONNECTIONS CLAMP ISO 2852	1	AUX320776		
39100	◆	JACKETED MAIN BODY H FLO 65 - CONNECTIONS DIN 11851	1	AUX320774		
39100	◆	JACKETED MAIN BODY H FLO 65 - CONNECTIONS SMS	1	AUX320773		
39100	◆	JACKETED MAIN BODY H FLO 65 - CONNECTIONS DIN 11864	1	AUX320777		
39100	◆	POLISH MAIN BODY H FLO 65 - CONNECTIONS CLAMP ASME-BPE	1	AUX320862		
39100	◆	POLISH MAIN BODY H FLO 65 - CONNECTIONS CLAMP ISO 2852	1	AUX320863		
39100	◆	POLISH MAIN BODY H FLO 65 - CONNECTIONS DIN 11851	1	AUX320861		
39100	◆	POLISH MAIN BODY H FLO 65 - CONNECTIONS SMS	1	AUX320860		
39100	◆	POLISH MAIN BODY H FLO 65 - CONNECTIONS DIN 11864	1	AUX320864		
39101		MAIN BODY	(1)			
39108		FOOT	(1)			
39109		SCREW	(2)			
39124		PLUG (JACKETED PUMP)	(1)			
39704A		BRACKET	(1)			
39110	◆	SCREWS SET FOR MAIN BODY_FRONT COVER G_H FLO 65	1	AUX319937		
39105		STUD	(6)			
39106		BLIND NUT	(8)			
39107		STUD	(2)			
39111		STUD	(4)			
39115		BLIND NUT	(4)			
39200	◆	SET CYLINDER_PISTON G_H FLO 65 HP	1	AUX319947	■	
39118		INDEXER	(1)			
39119		SCREW	(2)			
39201		CYLINDER	(1)			●
39210		SCREW	(1)			
39301		PISTON	(1)			●
39304	◆	PISTON NUT	1	AUX239099		●
39304A		SCREW	(10)			
39304B		SCREW	(2)			
39206	◆	SET OF CVT CE1935/2004 'O' RING SEALS G_H FLO 65	1	AUX319929	■	
39206	◆	SET OF EPDM CE1935/2004 'O' RING SEALS G_H FLO 65	1	AUX319950	■	
39206	◆	SET OF FKM CE1935/2004 'O' RING SEALS G_H FLO 65	1	AUX319945	■	
39113		SEAL	(1)			●
39113A		SEAL	(1)			●
39205		SEAL	(1)			●
39305		SEAL	(2)			●
39306		SEAL	(1)			●
39401	◆	FRONT COVER H FLO 65 CONNECTION DIN11864	1	AUX320174		
39401	◆	FRONT COVER H FLO 65 CONNECTION CLAMP ISO 2852	1	AUX320171		
39401	◆	FRONT COVER H FLO 65 CONNECTION CLAMP ASME BPE-2009	1	AUX320602		
39401	◆	FRONT COVER H FLO 65 CONNECTION DIN11851	1	AUX320134		
39401	◆	FRONT COVER H FLO 65 CONNECTION SMS	1	AUX320133		
39401	◆	JACKETED FRONT COVER H FLO 65 - CONNECTIONS CLAMP ASME-BPE	1	AUX320762		
39401	◆	JACKETED FRONT COVER H FLO 65 - CONNECTIONS CLAMP ISO 2852	1	AUX320763		
39401	◆	JACKETED FRONT COVER H FLO 65 - CONNECTIONS DIN 11851	1	AUX320761		
39401	◆	JACKETED FRONT COVER H FLO 65 - CONNECTIONS SMS	1	AUX320760		
39401	◆	JACKETED FRONT COVER H FLO 65 - CONNECTIONS DIN 11864	1	AUX320764		
39401	◆	POLISH FRONT COVER H FLO 65 - CONNECTIONS CLAMP ASME-BPE	1	AUX320852		
39401	◆	POLISH FRONT COVER H FLO 65 - CONNECTIONS CLAMP ISO 2852	1	AUX320853		
39401	◆	POLISH FRONT COVER H FLO 65 - CONNECTIONS DIN 11851	1	AUX320851		
39401	◆	POLISH FRONT COVER H FLO 65 - CONNECTIONS SMS	1	AUX320850		
39401	◆	POLISH FRONT COVER H FLO 65 - CONNECTIONS DIN 11864	1	AUX320854		

H-FLO 65 HP

* 1, 2, 4... : Quantity in equipment - (1), (2), (4)... : Quantity in kit

Item	Available	Description	Qty*	Ref.	Maintenance kit	Wear part
39596	◆	H FLO 65 COMPLETE TRANSMISSION :	1	AUX321204	■	●
39599		TRANSMISSION	(1)			
39008A	◆	SET PLUGS_LIFTING EYE BOLTS	1	AUX319682		
39701		LIFTING EYE BOLTS	(1)			
39715	◆	BREATHER	1	AUX239151		●
39772		OIL LEVEL INDICATOR	(1)			
39773		PLUG	(1)			
39774		SEAL WASHER	(1)			●
39009A	◆	BEARING GASKETS _ RING SET	1	AUX319683		●
39507		INTERNAL RING	(1)			●
39516		CIRCLIPS	(1)			●
39518		O-RING FKM	(1)			●
39602		SEAL	(1)			●
39608		LIP SEAL	(1)			●
39608A		LIP SEAL	(1)			●
39733		SEAL	(1)			●
39017A	◆	BELLOWS REPLACEMENT KIT G_H FLO 65 HP :	1	AUX321492	■	
		STANDARD				
39017		SET BELLOWS	(1)			
39524		BELLOWS	(1)			
39533		SCREW	(1)			
39548		DISC	(1)			
39023		SET PLUGS FOR BELLOWS	(1)			
39533A		SCREW	(1)			
39585A		BELLOW MOUNTING SCREW FLO 65	(1)			
39016	◆	SCREWS SET FOR BELLOWS G_H FLO 50_65	1	AUX319677		
39529		SCREW	(4)			
39723		PIN	(1)			
39733		SEAL	(1)			
39585	◆	BELLOW MOUNTING TOOLS G_H FLO 65	1	AUX321488		