



P.L. : 1013-D01

Effective
Replaces

July 2024
April 2023

PARTS LIST

PUMPS

G-FLO 11 S - G-FLO 15 S
G-FLO 25 S - G-FLO 40 S - G-FLO 50 S
G-FLO 65 S - G-FLO 65 HP

Keep this parts lists with Installation, Operation and Maintenance Instructions.

To order the required spare parts, indicate the desired Reference(s).

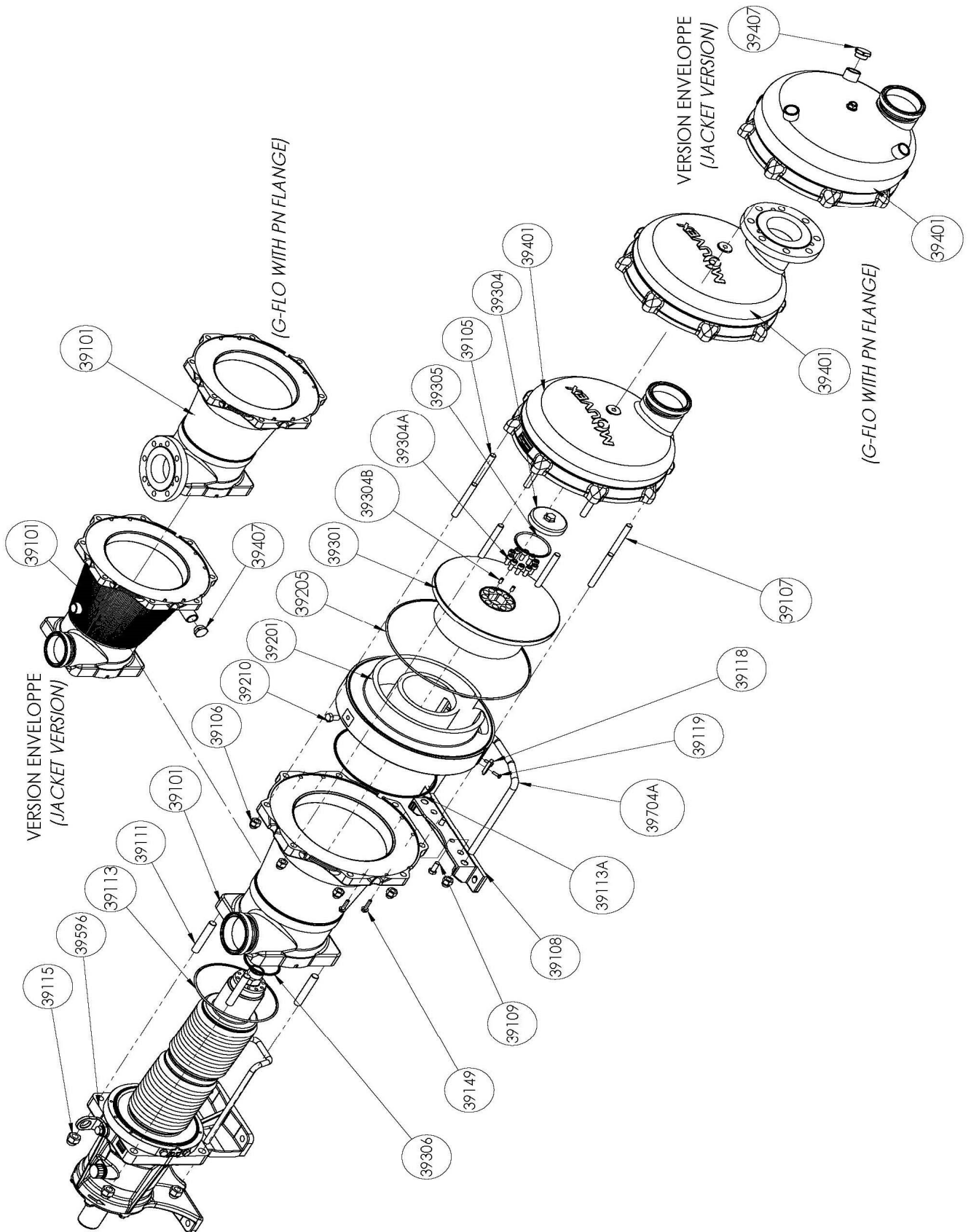
- ◆ Sets of parts or parts available to order.

CVT : FEP encapsulated FKM

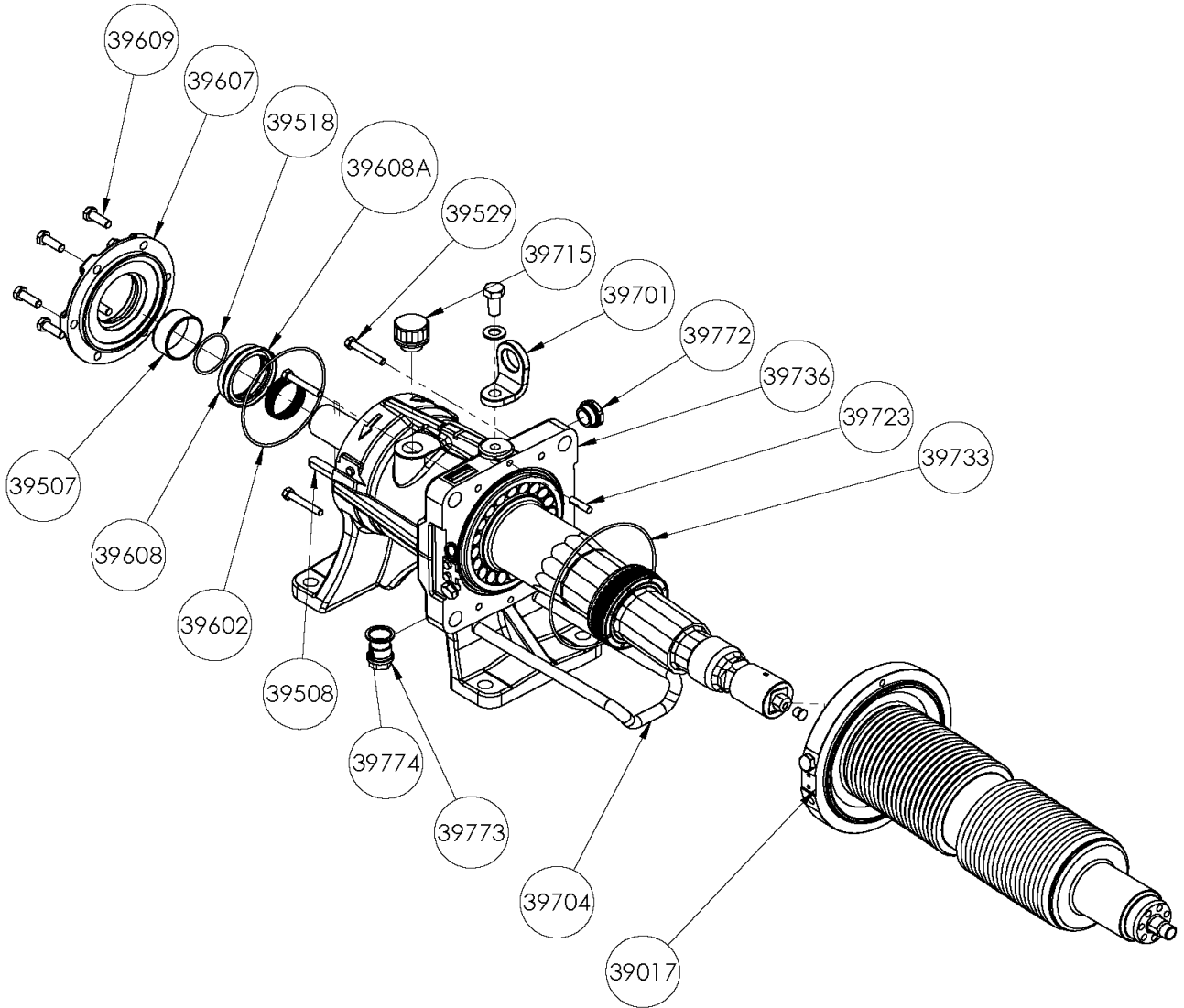
Z.I. la Plaine des Isles - 2 rue des Caillottes F-89000 AUXERRE - France

Tel : +33 (0)3 86 49 86 30 • Fax : +33 (0)3 86 49 87 17
contact.mouvex@psgdover.com • www.mouvex.com

G-FLO 11 S - G-FLO 15 S - G-FLO 25 S - G-FLO 40 S - G-FLO 50 S - G-FLO 65 S - G-FLO 65 HP
Standard & Jacketed pump



G-FLO 11 S - G-FLO 15 S - G-FLO 25 S - G-FLO 40 S - G-FLO 50 S - G-FLO 65 S - G-FLO 65 HP
Transmission



G-FLO 11 S - G-FLO 15 S

* 1, 2, 4... : Quantity in equipment - (1), (2), (4)... : Quantity in kit

Item	Available	Description	Qty*	Ref.	Maintenance kit	Wear part
39100	◆	MAIN BODY G FLO 11_15 S	1	AUX321072		
39100	◆	JACKETED MAIN BODY G FLO 11_15 S	1	AUX321084		
39101		MAIN BODY	(1)			
39108		FOOT	(1)			
39109		SCREW	(2)			
39124		PLUG (JACKETED PUMP)	(1)			
39704A		BRACKET	(1)			
39110	◆	SCREWS SET FOR MAIN BODY_FRONT COVER G_H FLO 11_15 S	1	AUX321098		
39105		STUD	(6)			
39106		BLIND NUT	(8)			
39107		STUD	(2)			
39111		STUD	(4)			
39115		BLIND NUT	(4)			
39149		SCREW	(4)			
39410	◆	KIT FLANGES MAIN BODY_FRONT COVER PN16 DN65	1	AUX317101		
39410	◆	KIT FLANGES MAIN BODY_FRONT COVER PN20 DN65	1	AUX317102		
39136		SCREW	(6)			
39148		ROD	(2)			
39414		FLANGE	(2)			
39200	◆	SET CYLINDER_PISTON G_H FLO 11 S	1	AUX321201	■	
39200	◆	SET CYLINDER_PISTON G_H FLO 15 S	1	AUX321099	■	
39118		INDEXER	(1)			
39119		SCREW	(2)			
39201		CYLINDER	(1)			●
39210		SCREW	(1)			
39301		PISTON	(1)			●
39304	◆	PISTON NUT	1	AUX242575		●
39304A		SCREW	(7)			
39304B		SCREW	(3)			
39206	◆	SET OF CVT CE1935/2004 'O' RING SEALS G_H FLO 11_15 S	1	AUX321096	■	
39206	◆	SET OF EPDM CE1935/2004 'O' RING SEALS G_H FLO 11_15 S	1	AUX321097	■	
39206	◆	SET OF FKM CE1935/2004 'O' RING SEALS G_H FLO 11_15 S	1	AUX321095	■	
39113		SEAL	(1)			●
39113A		SEAL	(1)			●
39205		SEAL	(1)			●
39305		SEAL	(1)			●
39306		SEAL	(1)			●
39401	◆	FRONT COVER COMPLETE G FLO 11_15 S	1	AUX321043		
39401	◆	JACKETED FRONT COVER COMPLETE G FLO 11_15 S	1	AUX321055		

G-FLO 11 S - G-FLO 15 S

* 1, 2, 4... : Quantity in equipment - (1), (2), (4)... : Quantity in kit

Item	Available	Description	Qty*	Ref.	Maintenance kit	Wear part
G FLO 11_15 S COMPLETE TRANSMISSION :						
STANDARD						
39596	◆	STANDARD	1	AUX321108	■	●
39596*	◆	STANDARD_ECS	1	AUX321114	■	●
39596*	◆	STANDARD_ECS_OIL LEVEL SENSOR	1	AUX321115	■	●
39596*	◆	STANDARD_ATEX_ECS_OIL LEVEL SENSOR	1	AUX321288	■	●
WITH BELLOWS MONITORING SYSTEM (BMS)						
39596*	◆	BMS	1	AUX321371	■	●
39596*	◆	BMS_ECS	1	AUX321373	■	●
39596*	◆	BMS_ECS_OIL LEVEL SENSOR	1	AUX321374	■	●
WITH BELLOWS MONITORING SYSTEM (BMS) ATEX						
39596*	◆	BMS ATEX	1	AUX321372	■	●
39596*	◆	BMS ATEX_ECS	1	AUX321375	■	●
39596*	◆	BMS ATEX_ECS_OIL LEVEL SENSOR	1	AUX321376	■	●
39008A	◆	SET PLUGS_LIFTING EYE BOLTS G_H FLO 11_15 S	1	AUX321100		
39008A	◆	SET PLUGS_LIFTING EYE BOLTSE - ECS G_H FLO 11_15 S	1	AUX321113		
39701		LIFTING EYE BOLTS	(1)			
39701A		SCREW	(1)			
39701B		WASHER	(1)			
39715	◆	BREATHER (EXCEPT ECS)	1	AUX239151		●
39772		OIL LEVEL INDICATOR (EXCEPT ECS)	(1)			
39773		PLUG	(1)			
39774		SEAL WASHER	(1)			●
39009A	◆	BEARING GASKETS_RINGS SET G_H FLO 11_15 S	1	AUX321101		
39498		BUSHING	(1)			
39507		SEAL RING	(1)			●
39518		SEAL	(1)			●
39602		SEAL	(1)			
39608		LIP SEAL	(1)			●
39608A		LIP SEAL	(1)			●
39733		O-RING	(1)			●

G-FLO 11 S - G-FLO 15 S

* 1, 2, 4... : Quantity in equipment - (1), (2), (4)... : Quantity in kit

Item	Available	Description	Qty*	Ref.	Maintenance kit	Wear part
39017A	◆	BELLOWS REPLACEMENT KIT G_H FLO 11_15 S :				
		STANDARD				
39017		SET BELLOWS	1 (1)	AUX321591	■	
39524		BELLOWS	(1)			
39533		PLUG	(1)			
39541		SEAL	(1)			
39023		SET PLUGS FOR BELLOWS	(1)			
39016	◆	SCREWS SET FOR BELLOWS G_H FLO 11_15_25	1	AUX320985		
39529		SCREW	(4)			
39723		PIN	(1)			
39533A		SCREW	(1)			
39733		O-RING	(1)			
39602		O-RING	(1)			
39017A	◆	WITH BELLOWS MONITORING SYSTEM (BMS)	1	AUX321592	■	
39017A	◆	WITH BELLOWS MONITORING SYSTEM (BMS) ATEX	1	AUX321593	■	
39017		SET BELLOWS WITH BMS	(1)			
39519		BUSHING	(1)			
39522		SEAL RING	(1)			
39524		BELLOWS	(1)			
39533		PLUG	(1)			
39541		SEAL	(1)			
39023		SET BELLOWS BMS	(1)			
39016	◆	SCREWS SET FOR BELLOWS G_H FLO 11_15_25	1	AUX320985		
39529		SCREW	(4)			
39723		PIN	(1)			
39533A		SCREW	(1)			
39733		O-RING	(1)			
39602		O-RING	(1)			
39585	◆	BELLOW MOUNTING TOOLS G_H FLO 11_15	1	AUX321589		
39749	◆	KIT EASY CLEAN SYSTEM (ECS) G_H FLO 11_15_25_40_50	1	AUX321458		
39748	◆	SET SEAL FOR ECS G_H FLO 11_15_25_40_50	1	AUX321455		

* ECS : EASY CLEAN SYSTEM - BMS : BELLOWS MONITORING SYSTEM

G-FLO 25 S

* 1, 2, 4... : Quantity in equipment - (1), (2), (4)... : Quantity in kit

Item	Available	Description	Qty*	Ref.	Maintenance kit	Wear part
39100	◆	MAIN BODY G FLO 25 S	1	AUX320959		
39100	◆	JACKETED MAIN BODY G FLO 25 S	1	AUX320972		
39101		MAIN BODY	(1)			
39108		FOOT	(1)			
39109		SCREW	(2)			
39124		PLUG (JACKETED PUMP)	(1)			
39704A		BRACKET	(1)			
39110	◆	SCREWS SET FOR MAIN BODY_FRONT COVER G_H FLO 25 S	1	AUX320981		
39105		STUD	(6)			
39106		BLIND NUT	(8)			
39107		STUD	(2)			
39111		STUD	(4)			
39115		BLIND NUT	(4)			
39149		SCREW	(4)			
39410	◆	KIT FLANGES MAIN BODY_FRONT COVER PN16 DN80	1	AUX320667		
39410	◆	KIT FLANGES MAIN BODY_FRONT COVER PN20 DN80	1	AUX320668		
39136		SCREW	(6)			
39148		ROD	(2)			
39414		FLANGE	(2)			
39200	◆	SET CYLINDER_PISTON G_H FLO 25 S	1	AUX321006	■	
39118		INDEXER	(1)			
39119		SCREW	(2)			
39201		CYLINDER	(1)			●
39210		SCREW	(1)			
39301		PISTON	(1)			●
39304	◆	PISTON NUT	1	AUX242327		●
39304A		SCREW	(7)			
39304B		SCREW	(4)			
39206	◆	SET OF CVT CE1935/2004 'O' RING SEALS G_H FLO 25 S	1	AUX320979	■	
39206	◆	SET OF EPDM CE1935/2004 'O' RING SEALS G_H FLO 25 S	1	AUX320980	■	
39206	◆	SET OF FKM CE1935/2004 'O' RING SEALS G_H FLO 25 S	1	AUX320978	■	
39113		SEAL	(1)			●
39113A		SEAL	(1)			●
39205		SEAL	(1)			●
39305		SEAL	(1)			●
39306		SEAL	(1)			●
39401	◆	FRONT COVER COMPLETE G FLO 25 S	1	AUX320924		
39401	◆	JACKETED FRONT COVER COMPLETE G FLO 25 S	1	AUX320953		

G-FLO 25 S

* 1, 2, 4... : Quantity in equipment - (1), (2), (4)... : Quantity in kit

Item	Available	Description	Qty*	Ref.	Maintenance kit	Wear part
G FLO 25 S COMPLETE TRANSMISSION :						
STANDARD						
39596	◆	STANDARD	1	AUX320990	■	●
39596*	◆	STANDARD_ECS	1	AUX320996	■	●
39596*	◆	STANDARD_ECS_OIL LEVEL SENSOR	1	AUX320997	■	●
39596*	◆	STANDARD_ATEX_ECS_OIL LEVEL SENSOR	1	AUX321287	■	●
WITH BELLOWS MONITORING SYSTEM (BMS)						
39596*	◆	BMS	1	AUX321334	■	●
39596*	◆	BMS_ECS	1	AUX321336	■	●
39596*	◆	BMS_ECS_OIL LEVEL SENSOR	1	AUX321337	■	●
WITH BELLOWS MONITORING SYSTEM (BMS) ATEX						
39596*	◆	BMS ATEX	1	AUX321335	■	●
39596*	◆	BMS ATEX_ECS	1	AUX321338	■	●
39596*	◆	BMS ATEX_ECS_OIL LEVEL SENSOR	1	AUX321339	■	●
39008A	◆	SET PLUGS_LIFTING EYE BOLTS	1	AUX320982		
39008A	◆	SET PLUGS_LIFTING EYE BOLTSE - ECS	1	AUX320995		
39701		LIFTING EYE BOLTS	(1)			
39701A		SCREW	(1)			
39701B		WASHER	(1)			
39715	◆	BREATHER (EXCEPT ECS)	1	AUX239151		●
39772		OIL LEVEL INDICATOR (EXCEPT ECS)	(1)			
39773		PLUG	(1)			
39774		SEAL WASHER	(1)			●
39009A	◆	BEARING GASKETS_RINGS SET G_H FLO 25 S	1	AUX320983		
39498		BUSHING	(1)			
39507		SEAL RING	(1)			●
39518		SEAL	(1)			●
39602		SEAL	(1)			
39608		LIP SEAL	(1)			●
39608A		LIP SEAL	(1)			●
39733		O-RING	(1)			●

G-FLO 25 S

* 1, 2, 4... : Quantity in equipment - (1), (2), (4)... : Quantity in kit

Item	Available	Description	Qty*	Ref.	Maintenance kit	Wear part
39017A	◆	BELLOWS REPLACEMENT KIT G_H FLO 25 S :				
		STANDARD	1	AUX321594	■	
39017		SET BELLOWS	(1)			
39524		BELLOWS	(1)			
39533		PLUG	(1)			
39541		SEAL	(1)			
39023		SET PLUGS FOR BELLOWS	(1)			
39016	◆	SCREWS SET FOR BELLOWS G_H FLO 11_15_25	1	AUX320985		
39529		SCREW	(4)			
39723		PIN	(1)			
39533A		SCREW	(1)			
39733		O-RING	(1)			
39602		O-RING	(1)			
39016	◆	SCREWS SET FOR BELLOWS G_H FLO 11_15_25	1	AUX320985		
39529		SCREW	(4)			
39723		PIN	(1)			
39017A	◆	WITH BELLOWS MONITORING SYSTEM (BMS)	1	AUX321595	■	
39017A	◆	WITH BELLOWS MONITORING SYSTEM (BMS) ATEX	1	AUX321596	■	
39017		SET BELLOWS WITH BMS	(1)			
39519		BUSHING	(1)			
39522		SEAL RING	(1)			
39524		BELLOWS	(1)			
39533		PLUG	(1)			
39541		SEAL	(1)			
39023		SET BELLOWS BMS	(1)			
39016	◆	SCREWS SET FOR BELLOWS G_H FLO 11_15_25	1	AUX320985		
39529		SCREW	(4)			
39723		PIN	(1)			
39533A		SCREW	(1)			
39733		SEAL	(1)			
39602		O-RING	(1)			
39585	◆	BELLOW MOUNTING TOOLS G_H FLO 25	1	AUX321590		
39749	◆	KIT EASY CLEAN SYSTEM (ECS) G_H FLO 11_15_25_40_50	1	AUX321458		
39748	◆	SET SEAL FOR ECS G_H FLO 11_15_25_40_50	1	AUX321455		

* ECS : EASY CLEAN SYSTEM - BMS : BELLOWS MONITORING SYSTEM

G-FLO 40 S

* 1, 2, 4... : Quantity in equipment - (1), (2), (4)... : Quantity in kit

Item	Available	Description	Qty*	Ref.	Maintenance kit	Wear part
39100	◆	MAIN BODY G FLO 40 S	1	AUX320672		
39100	◆	JACKETED MAIN BODY G FLO 40 S	1	AUX320753		
39101		MAIN BODY	(1)			
39108		FOOT	(1)			
39109		SCREW	(2)			
39124		PLUG (JACKETED PUMP)	(1)			
39704A		BRACKET	(1)			
39110	◆	SCREWS SET FOR MAIN BODY_FRONT COVER G_H FLO 40 S	1	AUX320768		
39105		STUD	(6)			
39106		BLIND NUT	(8)			
39107		STUD	(2)			
39111		STUD	(4)			
39115		BLIND NUT	(4)			
39149		SCREW	(4)			
39410	◆	KIT FLANGES MAIN BODY_FRONT COVER PN16 DN80	1	AUX320667		
39410	◆	KIT FLANGES MAIN BODY_FRONT COVER PN20 DN80	1	AUX320668		
39136		SCREW	(6)			
39148		ROD	(2)			
39414		FLANGE	(2)			
39200	◆	SET CYLINDER_PISTON G_H FLO 40 S	1	AUX320662	■	
39118		INDEXER	(1)			
39119		SCREW	(2)			
39201		CYLINDER	(1)			●
39210		SCREW	(1)			
39301		PISTON	(1)			●
39304	◆	PISTON NUT	1	AUX240594		●
39304A		SCREW	(8)			
39304B		SCREW	(2)			
39206	◆	SET OF CVT CE1935/2004 'O' RING SEALS G_H FLO 40 S	1	AUX320647	■	
39206	◆	SET OF EPDM CE1935/2004 'O' RING SEALS G_H FLO 40 S	1	AUX320648	■	
39206	◆	SET OF FKM CE1935/2004 'O' RING SEALS G_H FLO 40 S	1	AUX320646	■	
39113		SEAL	(1)			●
39113A		SEAL	(1)			●
39205		SEAL	(1)			●
39305		SEAL	(2)			●
39306		SEAL	(1)			●
39401	◆	FRONT COVER COMPLETE G FLO 40 S	1	AUX320640		
39401	◆	JACKETED FRONT COVER COMPLETE G FLO 40 S	1	AUX320741		

G-FLO 40 S

* 1, 2, 4... : Quantity in equipment - (1), (2), (4)... : Quantity in kit

Item	Available	Description	Qty*	Ref.	Maintenance kit	Wear part
G FLO 40 S COMPLETE TRANSMISSION :						
STANDARD						
39596	◆	STANDARD	1	AUX320243	■	●
39596*	◆	STANDARD_ECS	1	AUX320867	■	●
39596*	◆	STANDARD_ECS_OIL LEVEL SENSOR	1	AUX320868	■	●
39596*	◆	STANDARD_ATEX_ECS_OIL LEVEL SENSOR	1	AUX321286	■	●
WITH BELLOWS MONITORING SYSTEM (BMS)						
39596*	◆	BMS	1	AUX321359	■	●
39596*	◆	BMS_ECS	1	AUX321361	■	●
39596*	◆	BMS_ECS_OIL LEVEL SENSOR	1	AUX321362	■	●
WITH BELLOWS MONITORING SYSTEM (BMS) ATEX						
39596*	◆	BMS ATEX	1	AUX321360	■	●
39596*	◆	BMS ATEX_ECS	1	AUX321363	■	●
39596*	◆	BMS ATEX_ECS_OIL LEVEL SENSOR	1	AUX321364	■	●
39008A	◆	SET PLUGS_LIFTING EYE BOLTS	1	AUX320673		
39008A	◆	SET PLUGS_LIFTING EYE BOLTSE - ECS	1	AUX320891		
39701		LIFTING EYE BOLTS	(1)			
39701A		SCREW	(1)			
39701B		WASHER	(1)			
39715	◆	BREATHER (EXCEPT ECS)	1	AUX239151		●
39772		OIL LEVEL INDICATOR (EXCEPT ECS)	(1)			
39773		PLUG	(1)			
39774		SEAL WASHER	(1)			●
39009A	◆	BEARING GASKETS_RINGS SET G_H FLO 40 S	1	AUX320246		
39498		BUSHING	(1)			
39507		SEAL RING	(1)			●
39518		SEAL	(1)			●
39602		SEAL	(1)			
39608		LIP SEAL	(1)			●
39608A		LIP SEAL	(1)			●
39733		O-RING	(1)			●

G-FLO 40 S

* 1, 2, 4... : Quantity in equipment - (1), (2), (4)... : Quantity in kit

Item	Available	Description	Qty*	Ref.	Maintenance kit	Wear part
39017A	◆	BELLOWS REPLACEMENT KIT G_H FLO 40 S :				
		STANDARD	1	AUX321496	■	
39017		SET BELLOWS	(1)			
39519		BUSHING	(1)			
39522		SEAL RING	(1)			
39524		BELLOWS	(1)			
39533		SCREW	(1)			
39548		DISC	(1)			
39590		BELLOWS PROTECTION	(1)			
39023		SET PLUGS FOR BELLOWS	(1)			
39533A		SCREW	(1)			
39585A		BELLOW MOUNTING SCREW FLO 40	(1)			
39016	◆	SCREWS SET FOR BELLOWS G_H FLO 40	1	AUX320663		
39529		SCREW	(4)			
39723		PIN	(1)			
39733		O-RING	(1)			
39017A	◆	WITH BELLOWS MONITORING SYSTEM (BMS)	1	AUX321497	■	
39017A	◆	WITH BELLOWS MONITORING SYSTEM (BMS) ATEX	1	AUX321498	■	
39017		SET BELLOWS	(1)			
39519		BUSHING	(1)			
39522		SEAL RING	(1)			
39524		BELLOWS	(1)			
39533		SCREW	(1)			
39548		DISC	(1)			
39590		BELLOWS PROTECTION	(1)			
39023		SET BELLOWS BMS	(1)			
39533A		SCREW	(1)			
39585A		BELLOW MOUNTING SCREW FLO 40	(1)			
39016	◆	SCREWS SET FOR BELLOWS G_H FLO 40	1	AUX320663		
39529		SCREW	(4)			
39723		PIN	(1)			
39733		O-RING	(1)			
39585	◆	BELLOW MOUNTING TOOLS G_H FLO 40	1	AUX321490		
39749	◆	KIT EASY CLEAN SYSTEM (ECS) G_H FLO 11_15_25_40_50	1	AUX321458		
39748	◆	SET SEAL FOR ECS G_H FLO 11_15_25_40_50	1	AUX321455		

* ECS : EASY CLEAN SYSTEM - BMS : BELLOWS MONITORING SYSTEM

G-FLO 50 S

* 1, 2, 4... : Quantity in equipment - (1), (2), (4)... : Quantity in kit

Item	Available	Description	Qty*	Ref.	Maintenance kit	Wear part
39100	◆	MAIN BODY G FLO 50 S	1	AUX320234		
39100	◆	JACKETED MAIN BODY G FLO 50 S	1	AUX320728		
39101		MAIN BODY	(1)			
39108		FOOT	(1)			
39109		SCREW	(2)			
39124		PLUG (JACKETED PUMP)	(1)			
39704A		BRACKET	(1)			
39110	◆	SCREWS SET FOR MAIN BODY_FRONT COVER G_H FLO 50 S	1	AUX320236		
39105		STUD	(6)			
39106		BLIND NUT	(8)			
39107		STUD	(2)			
39111		STUD	(4)			
39115		BLIND NUT	(4)			
39410	◆	KIT FLANGES MAIN BODY_FRONT COVER PN16 DN100	1	AUX319926		
39410	◆	KIT FLANGES MAIN BODY_FRONT COVER PN20 DN100	1	AUX319958		
39136		SCREW	(6)			
39148		ROD	(2)			
39414		FLANGE	(2)			
39200	◆	SET CYLINDER_PISTON G_H FLO 50 S	1	AUX320209	■	
39118		INDEXER	(1)			
39119		SCREW	(2)			
39201		CYLINDER	(1)			●
39210		SCREW	(1)			
39301		PISTON	(1)			●
39304	◆	PISTON NUT	1	AUX240325		●
39304A		SCREW	(8)			
39304B		SCREW	(2)			
39206	◆	SET OF CVT CE1935/2004 'O' RING SEALS G_H FLO 50 S	1	AUX320186	■	
39206	◆	SET OF EPDM CE1935/2004 'O' RING SEALS G_H FLO 50 S	1	AUX320187	■	
39206	◆	SET OF FKM CE1935/2004 'O' RING SEALS G_H FLO 50 S	1	AUX320185	■	
39113		SEAL	(1)			●
39113A		SEAL	(1)			●
39205		SEAL	(1)			●
39305		SEAL	(2)			●
39306		SEAL	(1)			●
39401	◆	FRONT COVER COMPLETE G FLO 50 S	1	AUX320235		
39401	◆	JACKETED FRONT COVER COMPLETE G FLO 50 S	1	AUX320716		

G-FLO 50 S

* 1, 2, 4... : Quantity in equipment - (1), (2), (4)... : Quantity in kit

Item	Available	Description	Qty*	Ref.	Maintenance kit	Wear part
G FLO 50 S COMPLETE TRANSMISSION :						
STANDARD						
39596	◆	STANDARD	1	AUX320115	■	●
39596*	◆	STANDARD_ECS	1	AUX320877	■	●
39596*	◆	STANDARD_ECS_OIL LEVEL SENSOR	1	AUX320878	■	●
39596*	◆	STANDARD_ATEX_ECS_OIL LEVEL SENSOR	1	AUX321285	■	●
WITH BELLOWS MONITORING SYSTEM (BMS)						
39596*	◆	BMS	1	AUX321347	■	●
39596*	◆	BMS_ECS	1	AUX321349	■	●
39596*	◆	BMS_ECS_OIL LEVEL SENSOR	1	AUX321350	■	●
WITH BELLOWS MONITORING SYSTEM (BMS) ATEX						
39596*	◆	BMS ATEX	1	AUX321348	■	●
39596*	◆	BMS ATEX_ECS	1	AUX321351	■	●
39596*	◆	BMS ATEX_ECS_OIL LEVEL SENSOR	1	AUX321352	■	●
39008A	◆	SET PLUGS_LIFTING EYE BOLTS	1	AUX320673		
39008A	◆	SET PLUGS_LIFTING EYE BOLTSE - ECS	1	AUX320891		
39701		LIFTING EYE BOLTS	(1)			
39701A		SCREW	(1)			
39701B		WASHER	(1)			
39715	◆	BREATHER (EXCEPT ECS)	1	AUX239151		●
39772		OIL LEVEL INDICATOR (EXCEPT ECS)	(1)			
39773		PLUG	(1)			
39774		SEAL WASHER	(1)			●
39009A	◆	BEARING GASKETS_RINGS SET G_H FLO 50 S	1	AUX320116		
39498		BUSHING	(1)			
39507		SEAL RING	(1)			●
39518		SEAL	(1)			●
39602		SEAL	(1)			
39608		LIP SEAL	(1)			●
39608A		LIP SEAL	(1)			●
39733		O-RING	(1)			●

G-FLO 50 S

* 1, 2, 4... : Quantity in equipment - (1), (2), (4)... : Quantity in kit

Item	Available	Description	Qty*	Ref.	Maintenance kit	Wear part
39017A	◆	BELLOWS REPLACEMENT KIT G_H FLO 50 S :				
		STANDARD	1	AUX321493	■	
39017		SET BELLOWS	(1)			
39519		BUSHING	(1)			
39522		SEAL RING	(1)			
39524		BELLOWS	(1)			
39533		SCREW	(1)			
39548		DISC	(1)			
39590		BELLOWS PROTECTION	(1)			
39023		SET PLUGS FOR BELLOWS	(1)			
39533A		SCREW	(1)			
39585A		BELLOW MOUNTING SCREW FLO 50	(1)			
39016	◆	SCREWS SET FOR BELLOWS G_H FLO 50_65	1	AUX319677		
39529		SCREW	(4)			
39723		PIN	(1)			
39733		SEAL	(1)			
39017A	◆	WITH BELLOWS MONITORING SYSTEM (BMS)	1	AUX321494	■	
39017A	◆	WITH BELLOWS MONITORING SYSTEM (BMS) ATEX	1	AUX321495	■	
39017		SET BELLOWS	(1)			
39519		BUSHING	(1)			
39522		SEAL RING	(1)			
39524		BELLOWS	(1)			
39533		SCREW	(1)			
39548		DISC	(1)			
39590		BELLOWS PROTECTION	(1)			
39023		SET BELLOWS BMS	(1)			
39533A		SCREW	(1)			
39585A		BELLOW MOUNTING SCREW FLO 50	(1)			
39016	◆	SCREWS SET FOR BELLOWS G_H FLO 50_65	1	AUX319677		
39529		SCREW	(4)			
39723		PIN	(1)			
39733		SEAL	(1)			
39585	◆	BELLOW MOUNTING TOOLS G_H FLO 50	1	AUX321489		
39749	◆	KIT EASY CLEAN SYSTEM (ECS) G_H FLO 11_15_25_40_50	1	AUX321458		
39748	◆	SET SEAL FOR ECS G_H FLO 11_15_25_40_50	1	AUX321455		

* ECS : EASY CLEAN SYSTEM - BMS : BELLOWS MONITORING SYSTEM

G-FLO 65 S

* 1, 2, 4... : Quantity in equipment - (1), (2), (4)... : Quantity in kit

Item	Available	Description	Qty*	Ref.	Maintenance kit	Wear part
39100	◆	MAIN BODY G FLO 65	1	AUX319927		
39100	◆	JACKETED MAIN BODY G FLO 65	1	AUX320778		
39101		MAIN BODY	(1)			
39108		FOOT	(1)			
39109		SCREW	(2)			
39124		PLUG (JACKETED PUMP)	(1)			
39704A		BRACKET	(1)			
39110	◆	SCREWS SET FOR MAIN BODY_FRONT COVER G_H FLO 65	1	AUX319937		
39105		STUD	(6)			
39106		BLIND NUT	(8)			
39107		STUD	(2)			
39111		STUD	(4)			
39115		BLIND NUT	(4)			
39410	◆	KIT FLANGES MAIN BODY_FRONT COVER PN16 DN100	1	AUX319926		
39410	◆	KIT FLANGES MAIN BODY_FRONT COVER PN20 DN100	1	AUX319958		
39136		SCREW	(6)			
39148		ROD	(2)			
39414		FLANGE	(2)			
39200	◆	SET CYLINDER_PISTON G_H FLO 65 S	1	AUX319913	■	
39118		INDEXER	(1)			
39119		SCREW	(2)			
39201		CYLINDER	(1)			●
39210		SCREW	(1)			
39301		PISTON	(1)			●
39304	◆	PISTON NUT	1	AUX239099		●
39304A		SCREW	(10)			
39304B		SCREW	(2)			
39206	◆	SET OF CVT CE1935/2004 'O' RING SEALS G_H FLO 65	1	AUX319929	■	
39206	◆	SET OF EPDM CE1935/2004 'O' RING SEALS G_H FLO 65	1	AUX319950	■	
39206	◆	SET OF FKM CE1935/2004 'O' RING SEALS G_H FLO 65	1	AUX319945	■	
39113		SEAL	(1)			●
39113A		SEAL	(1)			●
39205		SEAL	(1)			●
39305		SEAL	(2)			●
39306		SEAL	(1)			●
39401	◆	FRONT COVER G FLO 65	1	AUX319928		
39401	◆	JACKETED FRONT COVER COMPLETE G FLO 65	1	AUX320765		
39596	◆	G FLO 65 COMPLETE TRANSMISSION :	1	AUX319662	■	●
39599		TRANSMISSION	(1)			
39008A	◆	SET PLUGS_LIFTING EYE BOLTS	1	AUX320673		
39701		LIFTING EYE BOLTS	(1)			
39701A		SCREW	(1)			
39701B		WASHER	(1)			
39715	◆	BREATHER	1	AUX239151		●
39772		OIL LEVEL INDICATOR	(1)			
39773		PLUG	(1)			
39774		SEAL WASHER	(1)			●
39009A	◆	BEARING GASKETS_RINGS SET G_H FLO 65 S_HP	1	AUX319683		●
39507		INTERNAL RING	(1)			●
39516		CIRCLIPS	(1)			
39518		O-RING FKM	(1)			●
39602		SEAL	(1)			
39608		LIP SEAL	(1)			●
39608A		LIP SEAL	(1)			●
39733		SEAL	(1)			●

G-FLO 65 S

* 1, 2 ,4... : Quantity in equipment - (1), (2), (4)... : Quantity in kit

Item	Available	Description	Qty*	Ref.	Maintenance kit	Wear part
39017A	◆	BELLOWS REPLACEMENT KIT G_H FLO 65 S :				
		STANDARD	1	AUX321491	■	
39017		SET BELLOWS	(1)			
39524		BELLOWS	(1)			
39533		SCREW	(1)			
39548		DISC	(1)			
39023		SET PLUGS FOR BELLOWS	(1)			
39533A		SCREW	(1)			
39585A		BELLOW MOUNTING SCREW FLO 65	(1)			
39016	◆	SCREWS SET FOR BELLOWS G_H FLO 50_65	1	AUX319677		
39529		SCREW	(4)			
39723		PIN	(1)			
39733		SEAL	(1)			
39585	◆	BELLOW MOUNTING TOOLS G_H FLO 65	1	AUX321488		

G-FLO 65 HP

* 1, 2, 4... : Quantity in equipment - (1), (2), (4)... : Quantity in kit

Item	Available	Description	Qty*	Ref.	Maintenance kit	Wear part
39100	◆	MAIN BODY G FLO 65	1	AUX319927		
39100	◆	JACKETED MAIN BODY G FLO 65	1	AUX320778		
39101		MAIN BODY	(1)			
39108		FOOT	(1)			
39109		SCREW	(2)			
39124		PLUG (JACKETED PUMP)	(1)			
39704A		BRACKET	(1)			
39110	◆	SCREWS SET FOR MAIN BODY_FRONT COVER G_H FLO 65	1	AUX319937		
39105		STUD	(6)			
39106		BLIND NUT	(8)			
39107		STUD	(2)			
39111		STUD	(4)			
39115		BLIND NUT	(4)			
39410	◆	KIT FLANGES MAIN BODY_FRONT COVER PN16 DN100	1	AUX319926		
39410	◆	KIT FLANGES MAIN BODY_FRONT COVER PN20 DN100	1	AUX319958		
39136		SCREW	(6)			
39148		ROD	(2)			
39414		FLANGE	(2)			
39200	◆	SET CYLINDER_PISTON G_H FLO 65 HP	1	AUX319947	■	
39118		INDEXER	(1)			
39119		SCREW	(2)			
39201		CYLINDER	(1)			●
39210		SCREW	(1)			
39301		PISTON	(1)			●
39304	◆	PISTON NUT	1	AUX239099		●
39304A		SCREW	(10)			
39304B		SCREW	(2)			
39206	◆	SET OF CVT CE1935/2004 'O' RING SEALS G_H FLO 65	1	AUX319929	■	
39206	◆	SET OF EPDM CE1935/2004 'O' RING SEALS G_H FLO 65	1	AUX319950	■	
39206	◆	SET OF FKM CE1935/2004 'O' RING SEALS G_H FLO 65	1	AUX319945	■	
39113		SEAL	(1)			●
39113A		SEAL	(1)			●
39205		SEAL	(1)			●
39305		SEAL	(2)			●
39306		SEAL	(1)			●
39401	◆	FRONT COVER G FLO 65	1	AUX319928		
39401	◆	JACKETED FRONT COVER COMPLETE G FLO 65	1	AUX320765		
39596	◆	G FLO 65 COMPLETE TRANSMISSION :	1	AUX319662	■	●
39599		TRANSMISSION	(1)			
39008A	◆	SET PLUGS_LIFTING EYE BOLTS	1	AUX320673		
39701		LIFTING EYE BOLTS	(1)			
39701A		SCREW	(1)			
39701B		WASHER	(1)			
39715	◆	BREATHER	1	AUX239151		●
39772		OIL LEVEL INDICATOR	(1)			
39773		PLUG	(1)			
39774		SEAL WASHER	(1)			●
39009A	◆	BEARING GASKETS_RINGS SET G_H FLO 65 S_HP	1	AUX319683		●
39507		INTERNAL RING	(1)			●
39516		CIRCLIPS	(1)			
39518		O-RING FKM	(1)			●
39602		SEAL	(1)			
39608		LIP SEAL	(1)			●
39608A		LIP SEAL	(1)			●
39733		SEAL	(1)			●

G-FLO 65 HP

* 1, 2, 4... : Quantity in equipment - (1), (2), (4)... : Quantity in kit

Item	Available	Description	Qty*	Ref.	Maintenance kit	Wear part
39017A	◆	BELLOWS REPLACEMENT KIT G_H FLO 65 HP :				
		STANDARD	1	AUX321492	■	
39017		SET BELLOWS	(1)			
39524		BELLOWS	(1)			
39533		SCREW	(1)			
39548		DISC	(1)			
39023		SET PLUGS FOR BELLOWS	(1)			
39533A		SCREW	(1)			
39585A		BELLOW MOUNTING SCREW FLO 65	(1)			
39016	◆	SCREWS SET FOR BELLOWS G_H FLO 50_65	1	AUX319677		
39529		SCREW	(4)			
39723		PIN	(1)			
39733		SEAL	(1)			
39585	◆	BELLOW MOUNTING TOOLS G_H FLO 65	1	AUX321488		