

PARTS LIST
PUMPS
SLS4 i - SLS8 i

Keep this parts lists with Installation, Operation and Maintenance Instructions.

To order the required spare parts, indicate the desired Reference(s).

- ◆ Sets of parts or parts available to order.

BMS : Bellows monitoring system

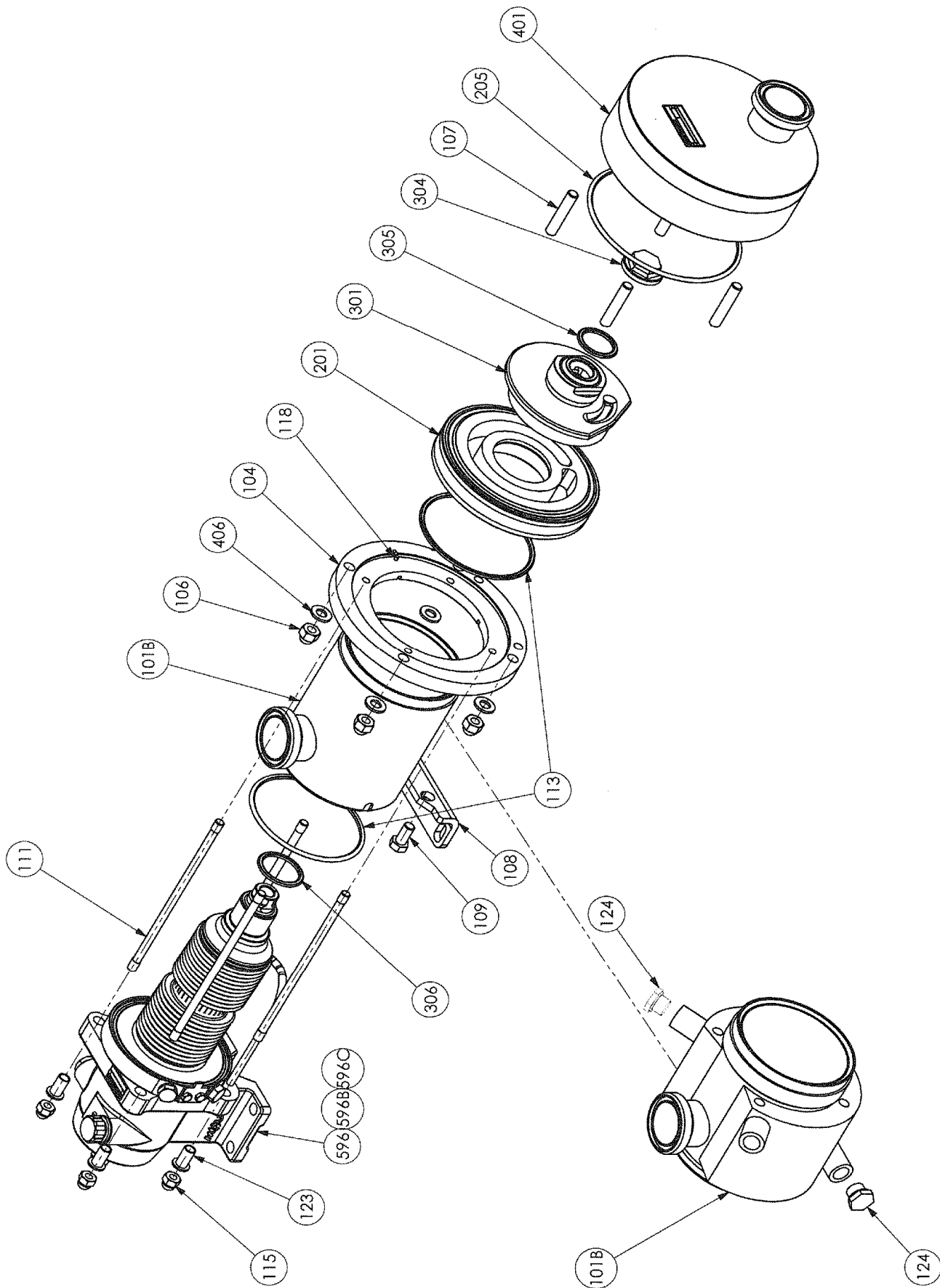
CVT : FEP encapsulated FKM

Z.I. la Plaine des Isles - 2 rue des Caillottes F-89000 AUXERRE - France

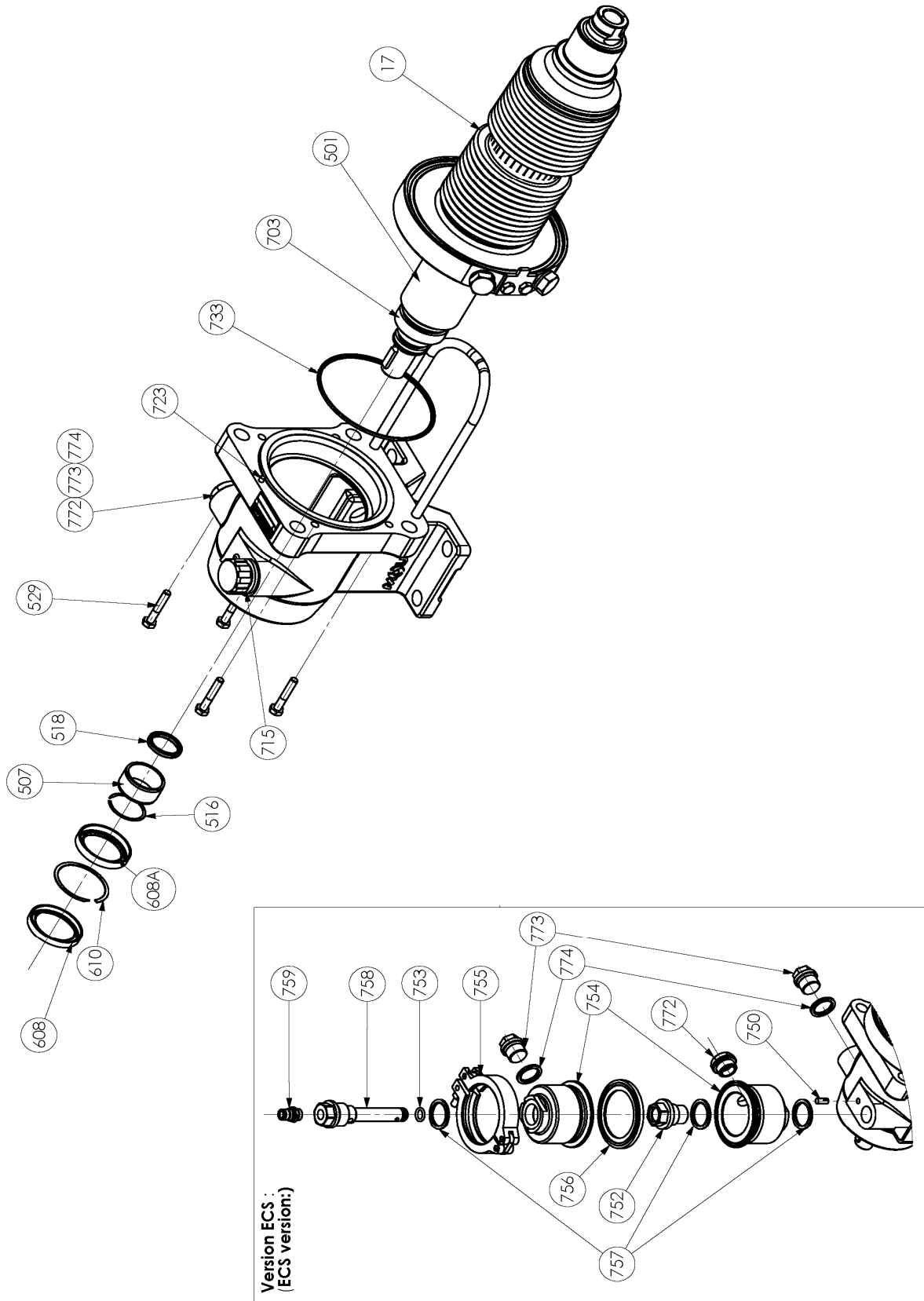
Tél : +33 (0)3 86 49 86 30

contact.mouvex@psgdover.com • www.mouvex.com

SLS4 i - SLS8 i



SLS4 i - SLS8 i Transmission



SLS4 i

* 1, 2, 4... : Quantity in equipment - (1), (2), (4)... : Quantity in kit

Item	Available	Description	Qty*	Ref.	Maintenance kit	Wear part
8	◆	SET PLUGS SL4_8	1	AUX316251		
715	◆	BREATHER	1	AUX219240		●
751		PLUG	(1)			
772		PLUG	(1)			
773		PLUG	(1)			
774		SEAL	(1)			●
9	◆	BEARING GASKETS_ RING SET_ CIRCLIPS	1	AUX316243		
507		RING	(1)			●
516		CIRCLIPS	(1)			
518		SEAL	(1)			●
608		LIP SEAL	(1)			●
608A		LIP SEAL	(1)			●
610		CIRCLIPS	(1)			
733		O-RING	(1)			●
16A	◆	SCREWS SET FOR BELLOWS SL 4_8	1	AUX316250		
529		SCREW	(4)			
723		PIN	(1)			
17A	◆	SET BELLOWS SL 4_8 WITHOUT BMS	1	AUX316742		
17A	◆	SET BELLOWS SL 4_8 WITH BMS	1	AUX316743		
17A	◆	SET BELLOWS SL 4_8 WITH BMS ATEX	1	AUX316744		
26A	◆	KIT EASY CLEAN SYSTEM (ECS) SLS4 SLS8	1	AUX319213		
27	◆	KIT OIL LEVEL SENSOR SL 4_8 ECS	1	AUX319202		
100	◆	COMPLETE MAIN BODY - CONNECTIONS CLAMP ASME-BPE	1	AUX316219		
100	◆	COMPLETE MAIN BODY - CONNECTIONS DIN11851	1	AUX316221		
100	◆	COMPLETE MAIN BODY - CONNECTIONS DIN11864	1	AUX316223		
100	◆	COMPLETE MAIN BODY - CONNECTIONS SMS	1	AUX316217		
100	◆	COMPLETE JACKETED MAIN BODY - CONNECTIONS CLAMP ASME-BPE	1	AUX316220		
100	◆	COMPLETE JACKETED MAIN BODY - CONNECTIONS DIN11851	1	AUX316222		
100	◆	COMPLETE JACKETED MAIN BODY - CONNECTIONS DIN11864	1	AUX316224		
100	◆	COMPLETE JACKETED MAIN BODY - CONNECTIONS SMS	1	AUX316218		
101B		MAIN BODY	(1)			
104		MAIN BODY FLANGE	(1)			
108		SUPPORT FOOT	(1)			
109		SCREW	(2)			
117		PIN	(1)			
118		PIN	(1)			
124		PLUG (JACKET VERSION)	(2)			
119	◆	SCREWS SET SLS 4	1	AUX316254		
106		BLIND NUT	(4)			
107		STUD	(4)			
111		STUD	(4)			
115		BLIND NUT	(4)			
123		WASHER	(4)			
406		WASHER	(4)			
200	◆	SET CYLINDER_PISTON SL 4	1	AUX316239	■	
201		CYLINDER	(1)			●
301		PISTON	(1)			●
304	◆	PISTON SCREW	1	AUX229316		●
206	◆	SET OF CVT 'O' RING SEALS SL 4-8	1	AUX316242	■	
206	◆	SET OF FKM 'O' RING SEALS SL 4-8	1	AUX316963	■	
113		SEAL	(2)			●
205		SEAL	(1)			●
305		SEAL	(1)			●
306		SEAL	(1)			●
401	◆	FRONT COVER PLATE CLAMP ASME BPE SLS 4-8	1	AUX316236		
401	◆	FRONT COVER PLATE DIN11851 DN50 SLS 4-8	1	AUX316237		
401	◆	FRONT COVER PLATE DIN11864 DN50 SLS 4-8	1	AUX316238		
401	◆	FRONT COVER PLATE SMS DN51 SLS 4-8	1	AUX316235		

SLS4 i

* 1, 2, 4... : Quantity in equipment - (1), (2), (4)... : Quantity in kit

Item	Available	Description	Qty*	Ref.	Maintenance kit	Wear part
		COMPLETE TRANSMISSION :				
596	◆	WITHOUT BMS	1	AUX321916	■	●
596	◆	WITHOUT BMS - PUMP WITH JACKET	1	AUX321917	■	●
596B*	◆	WITH BMS - ATEX LEFT	1	AUX321922	■	●
596B*	◆	WITH BMS - ATEX LEFT - PUMP WITH JACKET	1	AUX321924	■	●
596B*	◆	WITH BMS - LEFT	1	AUX321918	■	●
596B*	◆	WITH BMS - LEFT - PUMP WITH JACKET	1	AUX321920	■	●
596C*	◆	WITH BMS - ATEX RIGHT	1	AUX321923	■	●
596C*	◆	WITH BMS - ATEX RIGHT - PUMP WITH JACKET	1	AUX321925	■	●
596C*	◆	WITH BMS - RIGHT	1	AUX321919	■	●
596C*	◆	WITH BMS - RIGHT - PUMP WITH JACKET	1	AUX321921	■	●

* Looking at pump from drive side

SLS8 i

* 1, 2, 4... : Quantity in equipment - (1), (2), (4)... : Quantity in kit

Item	Available	Description	Qty*	Ref.	Maintenance kit	Wear part
8	◆	SET PLUGS SL4_8	1	AUX316251		
715	◆	BREATHER	1	AUX219240		●
751		PLUG	(1)			
772		PLUG	(1)			
773		PLUG	(1)			
774		SEAL	(1)			●
9	◆	BEARING GASKETS_ RING SET_ CIRCLIPS	1	AUX316243		
507		RING	(1)			●
516		CIRCLIPS	(1)			
518		SEAL	(1)			●
608		LIP SEAL	(1)			●
608A		LIP SEAL	(1)			●
610		CIRCLIPS	(1)			
733		O-RING	(1)			●
16A	◆	SCREWS SET FOR BELLOWS SL 4_8	1	AUX316250		
529		SCREW	(4)			
723		PIN	(1)			
17A	◆	SET BELLOWS SL 4_8 WITHOUT BMS	1	AUX316742		
17A	◆	SET BELLOWS SL 4_8 WITH BMS	1	AUX316743		
17A	◆	SET BELLOWS SL 4_8 WITH BMS ATEX	1	AUX316744		
26A	◆	KIT EASY CLEAN SYSTEM (ECS) SLS4 SLS8	1	AUX319213		
27	◆	KIT OIL LEVEL SENSOR SL 4_8 ECS	1	AUX319202		
100	◆	COMPLETE MAIN BODY - CONNECTIONS CLAMP ASME-BPE	1	AUX316219		
100	◆	COMPLETE MAIN BODY - CONNECTIONS DIN11851	1	AUX316221		
100	◆	COMPLETE MAIN BODY - CONNECTIONS DIN11864	1	AUX316223		
100	◆	COMPLETE MAIN BODY - CONNECTIONS SMS	1	AUX316217		
100	◆	COMPLETE JACKETED MAIN BODY - CONNECTIONS CLAMP ASME-BPE	1	AUX316220		
100	◆	COMPLETE JACKETED MAIN BODY - CONNECTIONS DIN11851	1	AUX316222		
100	◆	COMPLETE JACKETED MAIN BODY - CONNECTIONS DIN11864	1	AUX316224		
100	◆	COMPLETE JACKETED MAIN BODY - CONNECTIONS SMS	1	AUX316218		
101B		MAIN BODY	(1)			
104		MAIN BODY FLANGE	(1)			
108		SUPPORT FOOT	(1)			
109		SCREW	(2)			
117		PIN	(1)			
118		PIN	(1)			
124		PLUG (JACKET VERSION)	(2)			
119	◆	SCREWS SET SLS 8	1	AUX316255		
106		BLIND NUT	(4)			
107		STUD	(4)			
111		STUD	(4)			
115		BLIND NUT	(4)			
123		WASHER	(4)			
406		WASHER	(4)			
200	◆	SET CYLINDER_PISTON SL 8	1	AUX316240	■	
201		CYLINDER	(1)			●
301		PISTON	(1)			●
304	◆	PISTON SCREW	1	AUX229316		●
206	◆	SET OF CVT 'O' RING SEALS SL 4-8	1	AUX316242	■	
206	◆	SET OF FKM 'O' RING SEALS SL 4-8	1	AUX316963	■	
113		SEAL	(2)			●
205		SEAL	(1)			●
305		SEAL	(1)			●
306		SEAL	(1)			●
401	◆	FRONT COVER PLATE CLAMP ASME BPE SLS 4-8	1	AUX316236		
401	◆	FRONT COVER PLATE DIN11851 DN50 SLS 4-8	1	AUX316237		
401	◆	FRONT COVER PLATE DIN11864 DN50 SLS 4-8	1	AUX316238		
401	◆	FRONT COVER PLATE SMS DN51 SLS 4-8	1	AUX316235		

SLS8 i

* 1, 2, 4... : Quantity in equipment - (1), (2), (4)... : Quantity in kit

Item	Available	Description	Qty*	Ref.	Maintenance kit	Wear part
		COMPLETE TRANSMISSION :				
596	◆	WITHOUT BMS	1	AUX321916	■	●
596	◆	WITHOUT BMS - PUMP WITH JACKET	1	AUX321917	■	●
596B*	◆	WITH BMS - ATEX LEFT	1	AUX321922	■	●
596B*	◆	WITH BMS - ATEX LEFT - PUMP WITH JACKET	1	AUX321924	■	●
596B*	◆	WITH BMS - LEFT	1	AUX321918	■	●
596B*	◆	WITH BMS - LEFT - PUMP WITH JACKET	1	AUX321920	■	●
596C*	◆	WITH BMS - ATEX RIGHT	1	AUX321923	■	●
596C*	◆	WITH BMS - ATEX RIGHT - PUMP WITH JACKET	1	AUX321925	■	●
596C*	◆	WITH BMS - RIGHT	1	AUX321919	■	●
596C*	◆	WITH BMS - RIGHT - PUMP WITH JACKET	1	AUX321921	■	●

* Looking at pump from drive side