

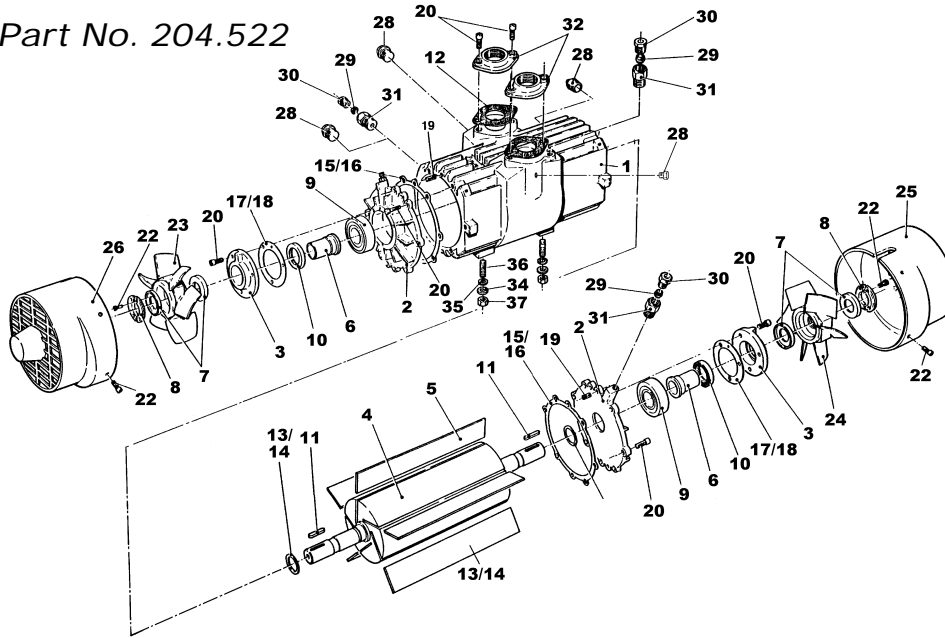
PARTS LIST 208-B01 e

Section | 208
 Effective | March 2008
 Replaces | February 2005

PARTS LIST - EXHAUSTER / COMPRESSOR

Model : RAL 485

RAL 485 Part No. 204.522



PARTS LIST

Item	Part No.	Description	Qty.	Item	Part No.	Description	Qty.
1	220469	Body 380, 425, 485	1	23	220611	Fan (Clockwise)	1
	NC *	Body 340	1	24	220612	Fan (Anti-clockwise)	1
2	220473	Sideplate	2	25	220615	Drive End Cowl	1
3	220475	Bearing Cap	2	26	220616	Non-Drive End Cowl	1
4	220483	Rotor 380, 425, 485	1	27	NC *	Nameplate	1
	NC *	Rotor 340	1	28	221740	Plug 1/4" BSP Male	3
5	220490	Blade 380, 425, 485 (Asbestos-free)	5	29	220450	Olive - (5/16" O.D. Tube)	4
	221585	Blade 340 (Asbestos-free)	6	30	220451	Tubing Nut - (5/16" O.D. Tube)	4
6	220503	Oil Seal Sleeve	2	31	220452	Adapter 1/4" BSP M. to 5/16" O.D.	4
7	220504	Thrust Sleeve	2	32	220694	Flange 2" BSP Female	2
8	220505	Split Sleeve	2pair	33	201068	Plastic Bung (not shown)	2
9	220457	Bearing	2	34	313087.00	Stud Kit (See Below)	1
10	220516	Oil Seal	2	<i>Stud Kit (204.383)</i>			
11	220561	Flange Gasket	2	11	220535	Shaft Key	1
12	220551	Shaft Shim 0.050 mm (2/1000")	a/r	29	220450	Olive - (5/16" O.D. Tube)	1
13	220552	Shaft Shim 0.125 mm (5/1000")	a/r	30	220451	Tubing Nut - (5/16" O.D. Tube)	1
14	221636	Body Shim 0.050 mm (2/1000")	a/r	31	220452	Adapter 1/4" BSP Male to 5/16" O.D.	1
15	221637	Body Shim 0.125 mm (5/1000")	a/r	34	200173	Plain Washer M12	4
16	220560	Brg. Cap Shim 0.050 mm (2/1000")	a/r	35	217224	Spring Washer M12	4
17	220553	Brg. Cap Shim 0.125 mm (5/1000")	a/r	36	220570	Stud M12	4
18	220541	Dowel Pin	4	37	200049	Nut M12	4
19	220568	Cap Screw M10 x 25	22		220537	Allen Key 8 mm A/F (not shown)	1
20	220568	Cap Screw M10 x 25	22		220538	Allen Key 6 mm A/F (not shown)	1
21	200169	Nameplate Screw	2				
22	200413	Cap Screw M8 x 20	16				

* Not available for sale.