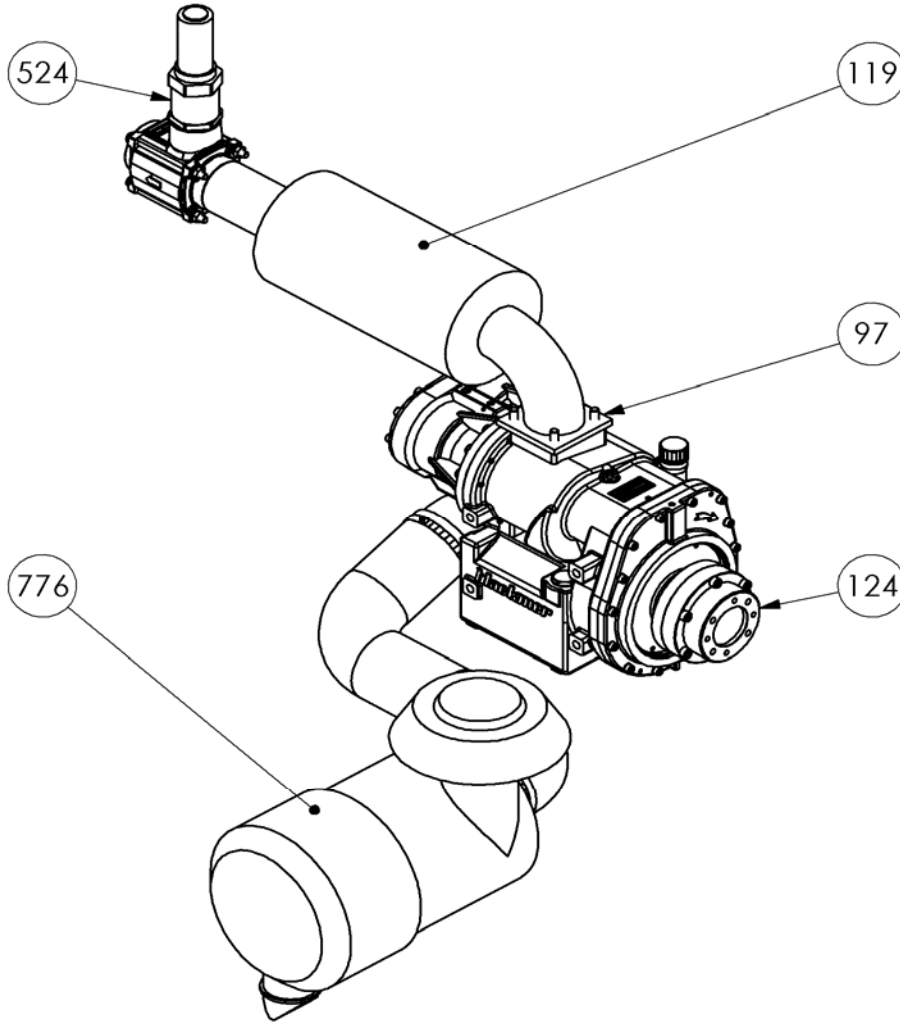


Section	1401
Effective	March 2008
Replaces	New



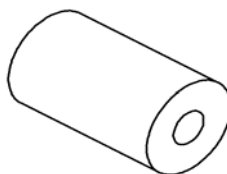
Reference Ass.	Description	Quantity Order
97	Discharge port flanges	1
119	Silencer	1
124	Torque limiter kit	1
524	Check and Relief Valve	1
776	Suction filter assemblies	1

## 97 - Discharge port, flanges, gasket and fixings



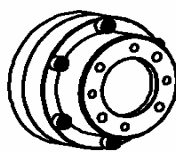
Reference Ass.	Description	Quantity Order	ARTICLE CODE
<b>97</b>	<b>Discharge port, flanges and fixings</b>		
	With gasket	1	310874.00
	With nuts	1	312168.00

## 119 - Silencer



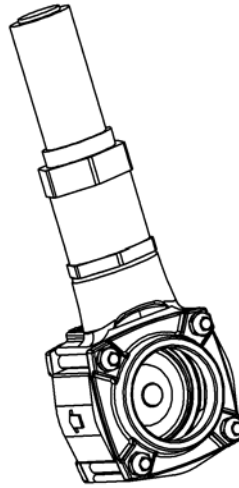
Reference Ass.	Description	Quantity Order	ARTICLE CODE
<b>119</b>	<b>Stainless steel Silencer</b>	<b>1</b>	<b>225284</b>

## 124 - Torque limiter kit



Reference Ass.	Description	Quantity Order	ARTICLE CODE
<b>124</b>	610 Nm	1	311258.01
	750 Nm (for Typhon + reverser 1:1,5)	1	313488.00
	950 Nm	1	312548.01

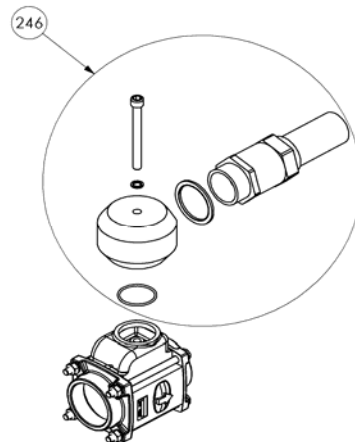
## 524 - Check and Relief Valve



Reference Ass.	Description	Quantity Order	ARTICLE CODE
524	3" 2,0 bar	1	516299.04
	2,3 bar	1	516297.04
	2,5 bar	1	516301.04
	2,5" 2,0 bar	1	516298.04
	2,3 bar	1	516296.04
	2,5 bar	1	516300.04

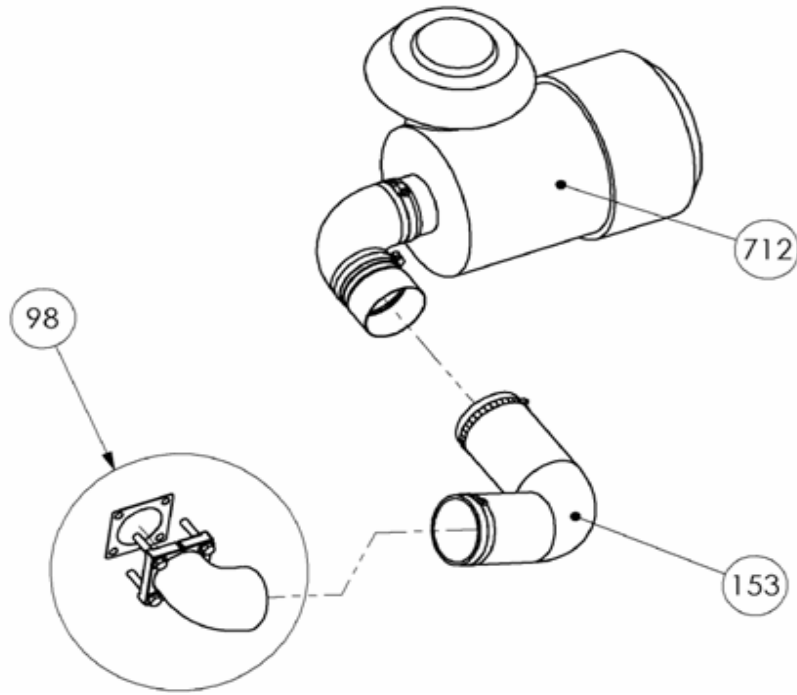
## 246 - Retrofit kits for previous design

(relief valve HEROSE 1000 m<sup>3</sup>/h 2" with adapter)



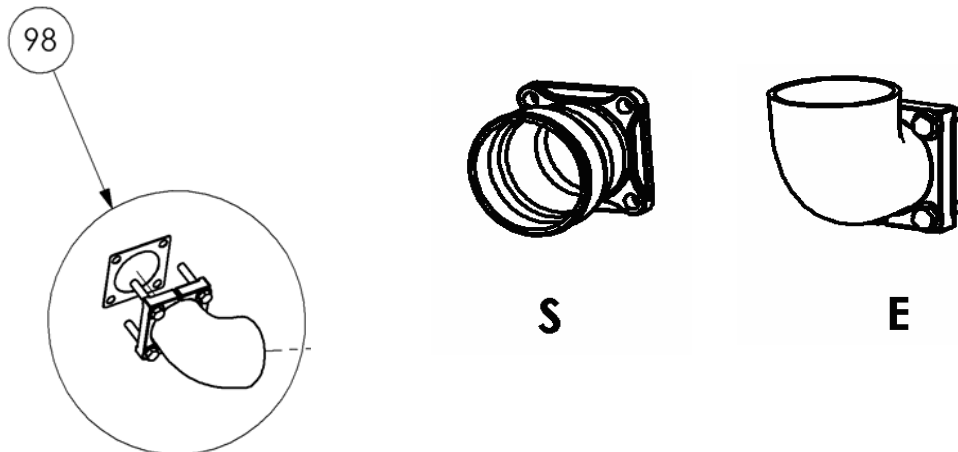
Reference Ass.	Description	Quantity Order	ARTICLE CODE
246	1000 m <sup>3</sup> /h 2" 2,0 bar	1	314141.00
	2,3 bar	1	314136.00
	2,5 bar	1	314137.00

## 776 - Suction filter assemblies



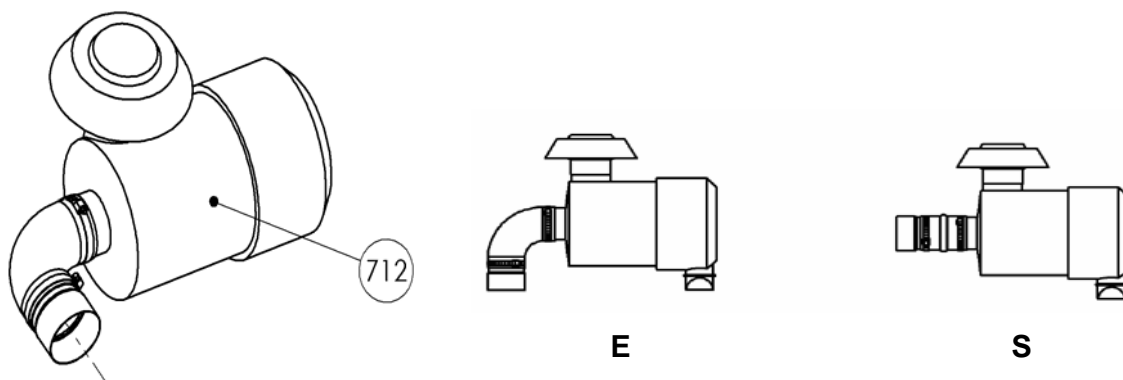
Reference		Description	Quantity Order	ARTICLE CODE
Ass.	Part			
776		<b>Suction filter assemblies</b>	1	
	98	Compressor suction port, flanges	1	See 98
	153	Connection kit between compressor suction FC7, FC10 and FC15 - flexible pipe with clamps	1	313689.00
	712	Filter	1	See 712

## 98 - Compressor suction port flanges



Reference Ass.	Description	Quantity Order	ARTICLE CODE
98	<b>Compressor suction port, flanges, gasket and fixings</b>		
	<b>S - Straight</b>		
	TYPHON / TYPHON II / B1500	1	313693.00
	MISTRAL / B600	1	312169.01
	<b>E - Elbow</b>		
	TYPHON / TYPHON II / B1500	1	313687.00
	MISTRAL / B600	1	313688.00

## 712 - Filter



Reference Ass.	Description	Quantity Order	ARTICLE CODE
<b>712</b>	<b>S - Straight Suction</b>		
	FC7-S	1	313690.00
	FC10-S	1	313692.00
	FC15-S	1	314125.00
	<b>E - Elbow suction</b>		
	FC7-E	1	313691.00
	FC10-E	1	313694.00
	FC15-E	1	314126.00

To order the required spare parts, indicate the appropriate CUM numbers.



Z.I. la Plaine des Isles - 2 rue des Caillottes F-89000 AUXERRE - FRANCE  
 Tel : +33 (0)3 86 49 86 30 • Fax : +33 (0)3 86 49 87 17  
 contact@mouvex.com • www.mouvex.com