

## **PARTS LIST**

### **PUMP**

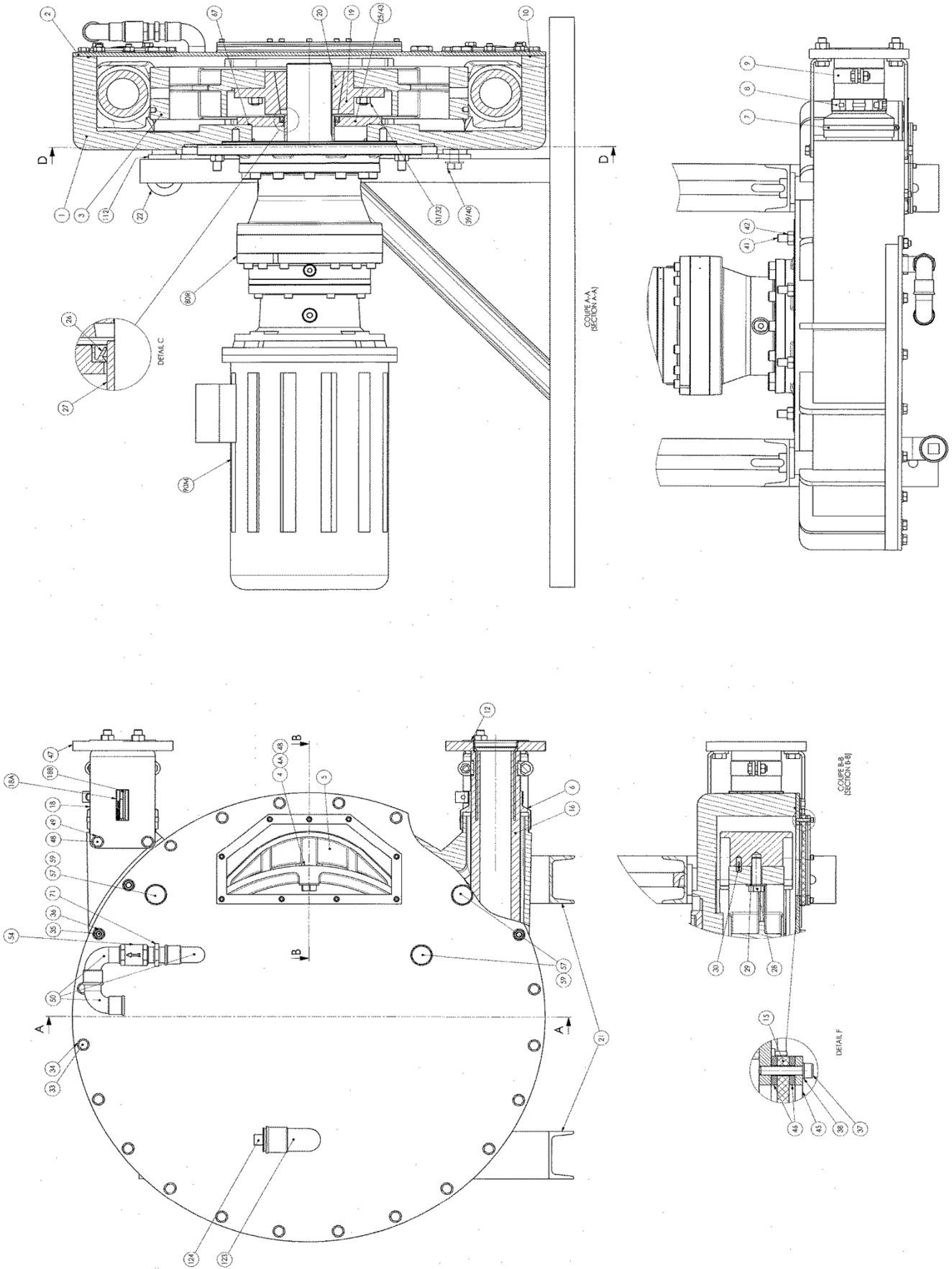
### **AX80**

Keep this parts lists with Installation, Operation and Maintenance Instructions.

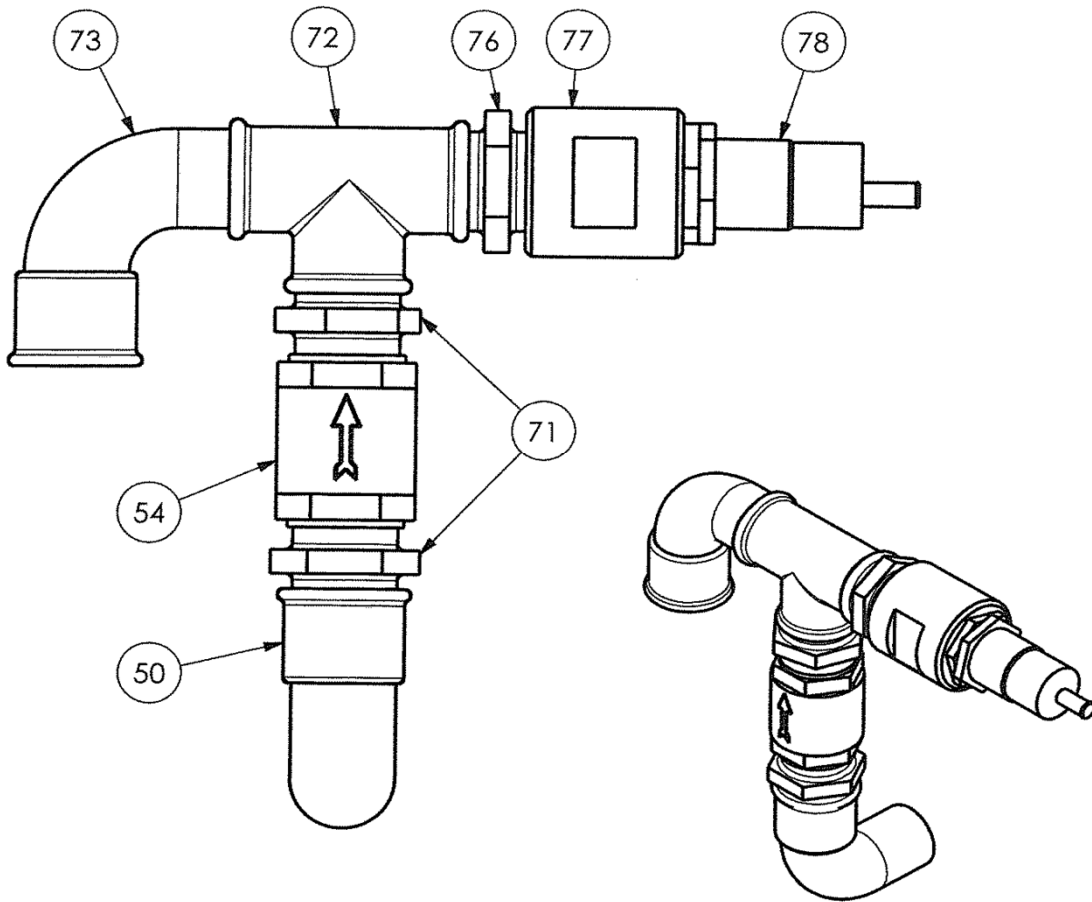
To order the required spare parts, indicate the desired Reference(s).

- ◆ Sets of parts or parts available to order.

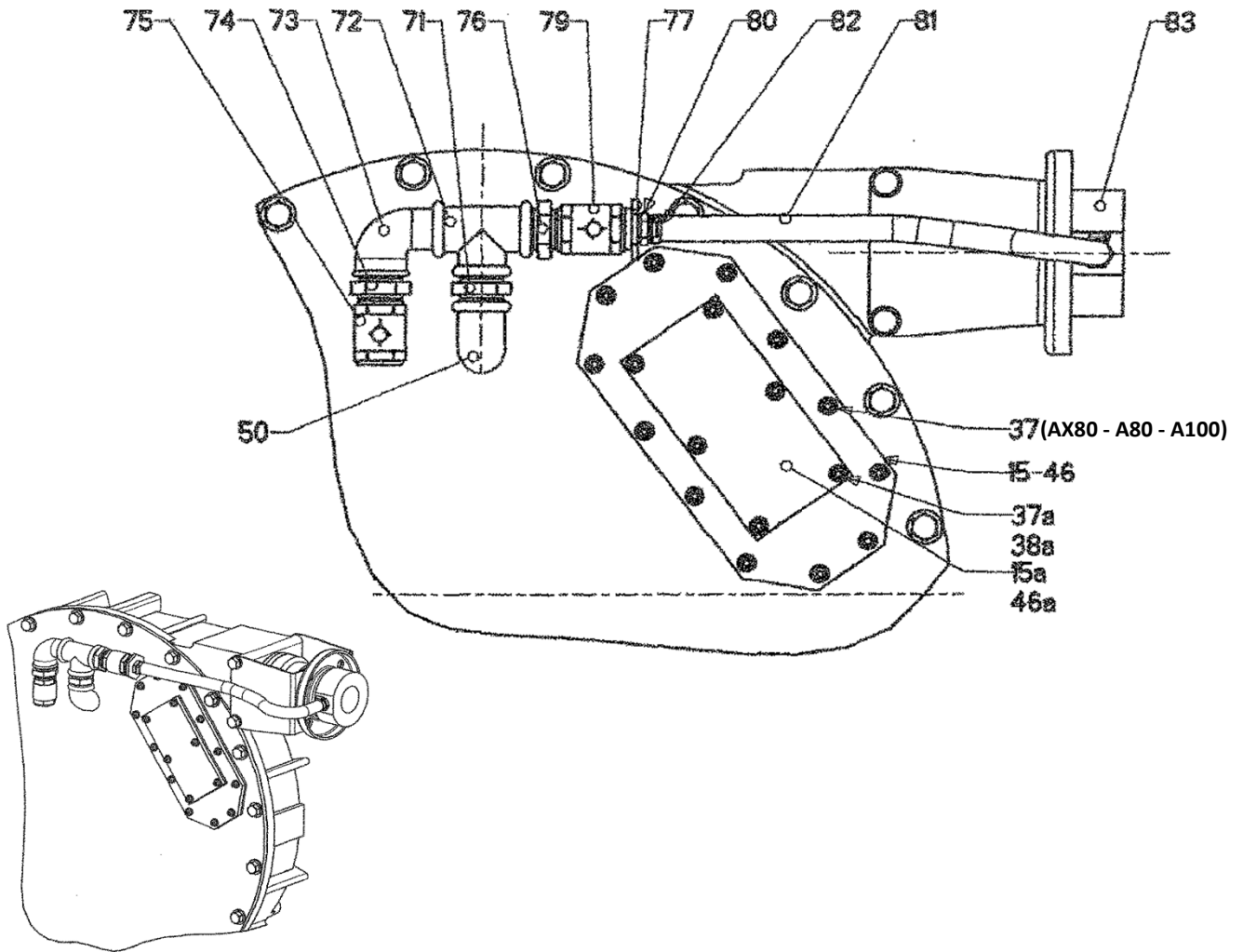
# AX80



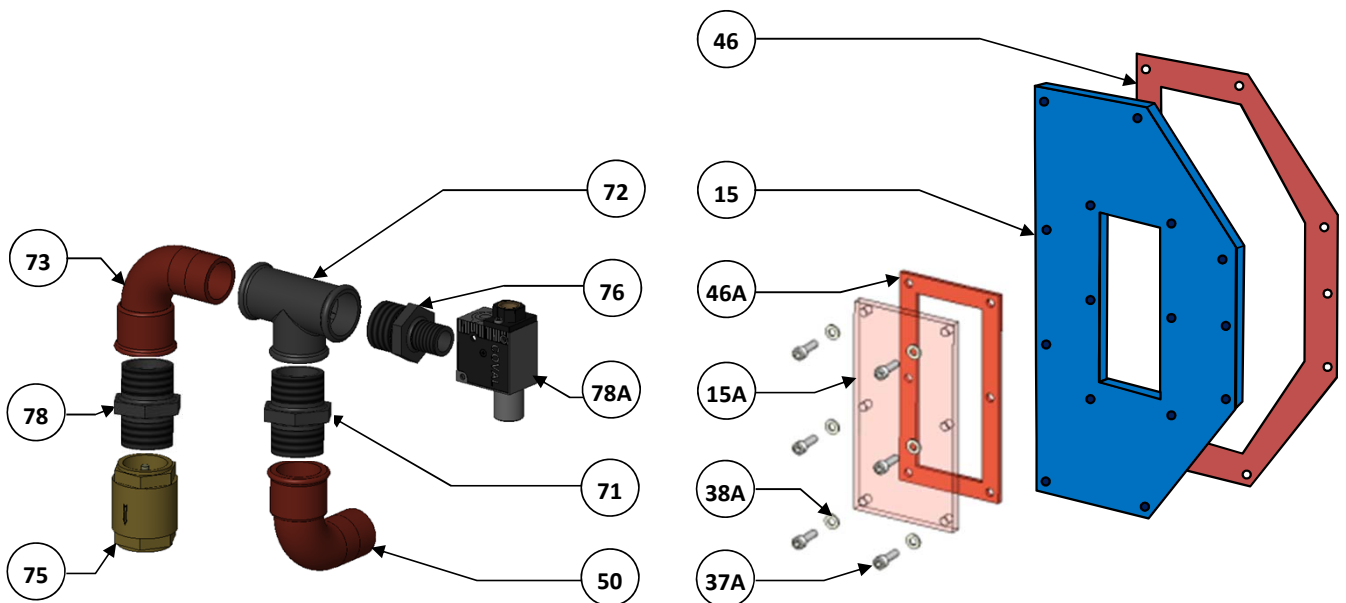
# PUNCTURE DETECTION KIT



## VACUUM KIT BY CONNECTION TO THE INLET FLANGE



## EJECTOR VACUUM KIT



Elbow 50 : on the pump

# AX80

\* 1, 2, 4... : Quantity in equipment - (1), (2), (4)... : Quantity in kit

Item	Available	Description	Qty*	Ref.	Maintenance kit	Wear part
2	◆	COVER	1	220194		
3	◆	WHEEL	1	219658		
6	◆	BOOT - EPDM	2	217074		
7	◆	HOSE CLAMP	2	217082		
8	◆	HOSE CLAMP	2	218841		
9	◆	HOSE CLAMP	2	217088		
10	◆	COVER SEAL - FKM	1	220202		●
12	◆	INSERT STAINLESS STEEL	2	217328		
15	◆	WINDOW	1	220210		
16	◆	HOSE NBR	1	218743	■	●
16	◆	HOSE EPDM	1	218744	■	●
16	◆	HOSE NR	1	218742	■	●
18	◆	STIRRUP PN16	4	217139		
18	◆	STIRRUP PN20	4	219101		
46	◆	WINDOW SEAL AX65_AX80 EPDM	2	217398		
114	◆	SET OF SHIMS	1	312361.00		
4		REMOVABLE SHIM	(12)			
116	◆	WHEEL FIXATION KIT	1	316870.00		
19	◆	PLATE TO BE SCREWED (CLOSE COUPLING BORE 90)	1	217165		
20	◆	HUB (CLOSE COUPLING BORE 90)	1	217159		
25		TIGHTNESS COVER	(1)			
26	◆	SHAFT SEAL (CLOSE COUPLING BORE 90) - FKM	1	220289		
27	◆	SEAL RING	1	219155		
31		SCREW	(1)			
32		NUT	(6)			
43		SCREW	(8)			
67		SEAL	(1)			
119	◆	SET OF ALUMINIUM SHOES	1	312795.00		
4A		FIXED SHIM	(6)			
4B		FIXED SHIM	(4)			
5		SHOE	(2)			
30		PIN	(2)			
130	◆	PUNCTURE DETECTION KIT	1	311839.00		
130	◆	PUNCTURE DETECTION KIT ATEX	1	313746.00		
50		ELBOW 90°	(1)			
54		VALVE	(1)			
71		NIPPLE	(2)			
72		T JUNCTION	(1)			
73		ELBOW 90°	(1)			
76		NIPPLE	(1)			
77		SLEEVE	(1)			
78		CAPACITIVE DETECTOR	(1)			
84		AMPLIFIER (WITH ATEX KIT)	(1)			

# AX80

\* 1, 2, 4... : Quantity in equipment - (1), (2), (4)... : Quantity in kit

Item	Available	Description	Qty*	Ref.	Maintenance kit	Wear part
<b>131</b>	◆	<b>VACUUM KIT BY CONNECTION TO THE INLET FLANGE</b>	<b>1</b>	<b>311920.00</b>		
15	◆	WINDOW ADAPTOR	1	218645		
15A	◆	WINDOW	1	220208		
37		SCREW	(9)			
37A		SCREW	(6)			
38A		SEAL WASHER	(6)			
46	◆	WINDOW SEAL AX65_AX80 EPDM	1	217398		
46A	◆	WINDOW SEAL EPDM	1	217040		
50		ELBOW 90°	(1)			
71		NIPPLE	(1)			
72		T JUNCTION	(1)			
73		ELBOW 90°	(1)			
74		NIPPLE	(1)			
75		VALVE	(1)			
76		NIPPLE	(1)			
77		NIPPLE	(1)			
79		VALVE	(1)			
80		ADAPTATER	(2)			
81		HOSE	(1)			
82		HOSE CLAMP	(2)			
83		VACUUMING FLANGE	(1)			
<b>131</b>	◆	<b>EJECTOR VACUUM KIT FOR AX80 &amp; ASX80 PUMPS</b>	<b>1</b>	<b>311902.00</b>		
15	◆	WINDOW ADAPTOR	1	218645		
15A	◆	WINDOW	1	220208		
37		SCREW	(9)			
37A		SCREW	(6)			
38A		SEAL WASHER	(6)			
46	◆	WINDOW SEAL AX65_AX80 EPDM	1	217398		
46A	◆	WINDOW SEAL EPDM	1	217040		
50		ELBOW 90°	(1)			
71		NIPPLE	(1)			
72		T JUNCTION	(1)			
73		ELBOW 90°	(1)			
74		NIPPLE	(1)			
75		VALVE	(1)			
76		NIPPLE	(1)			
78A	◆	EJECTOR	1	217749		
<b>1100F</b>	◆	<b>LUBRICANT - GLYCERIN (CAN 10L)</b>	<b>2</b>	<b>314223.00</b>	■	●
<b>1100M</b>	◆	<b>LUBRICANT - GLYCERIN (CAN 5L)</b>	<b>1</b>	<b>314222.00</b>		●