

## **PARTS LIST**

### **PUMP**

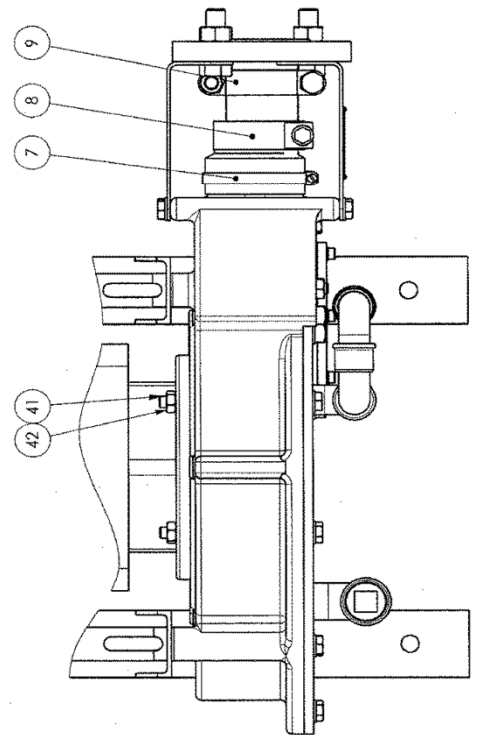
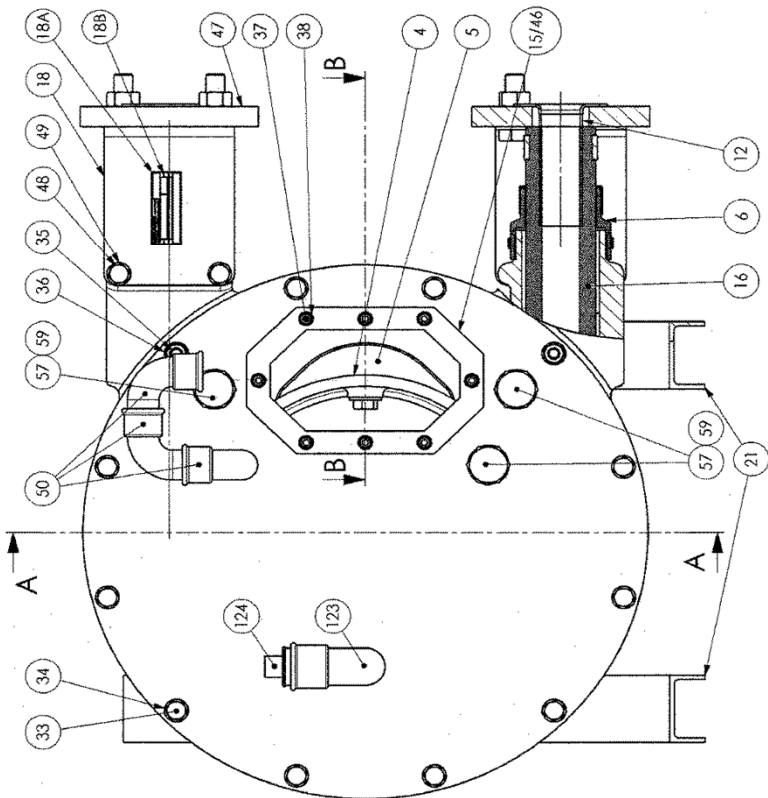
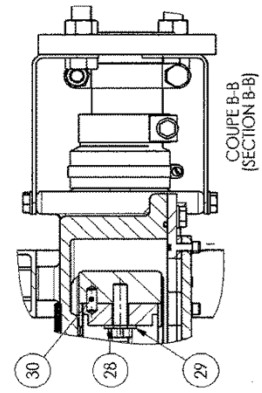
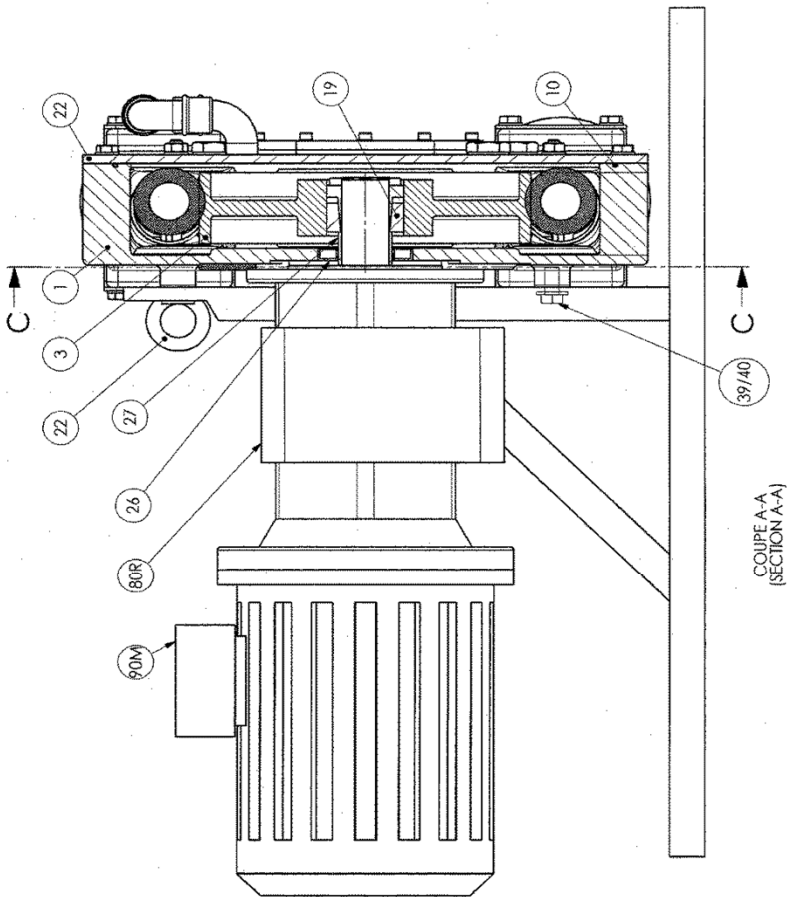
### **A40**

Keep this parts lists with Installation, Operation and Maintenance Instructions.

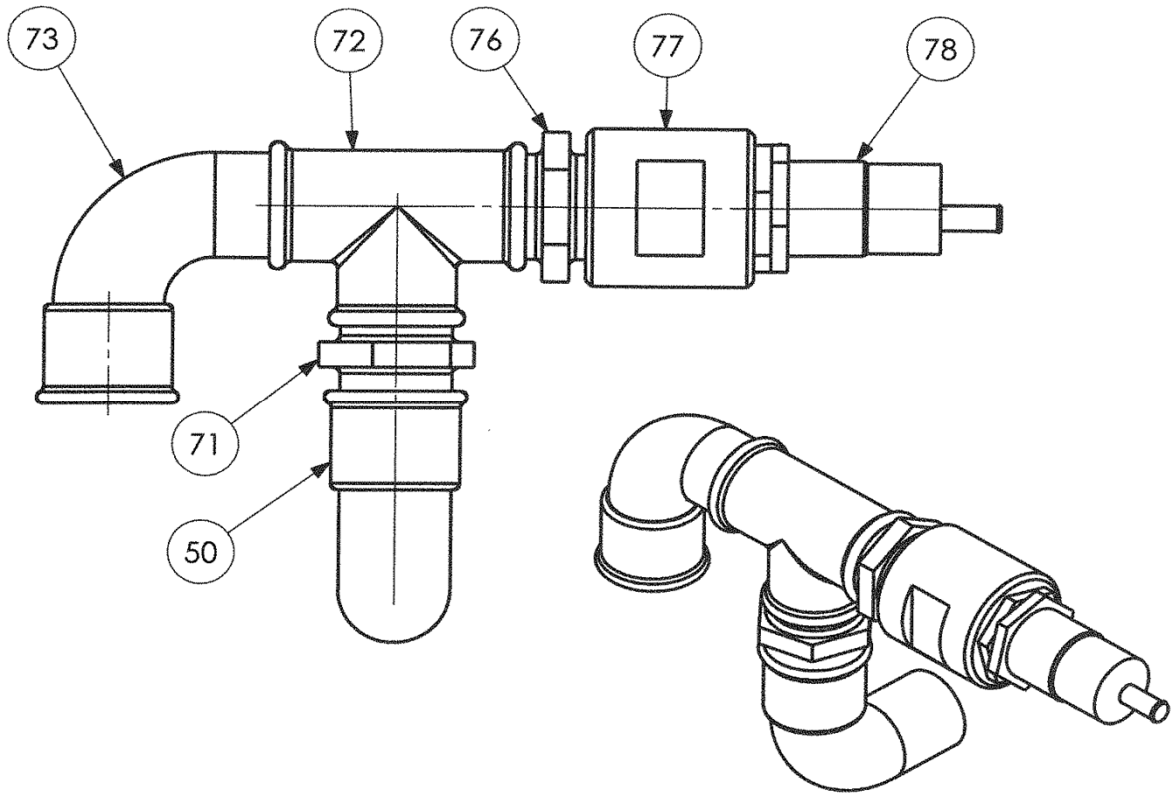
To order the required spare parts, indicate the desired Reference(s).

- ◆ Sets of parts or parts available to order.

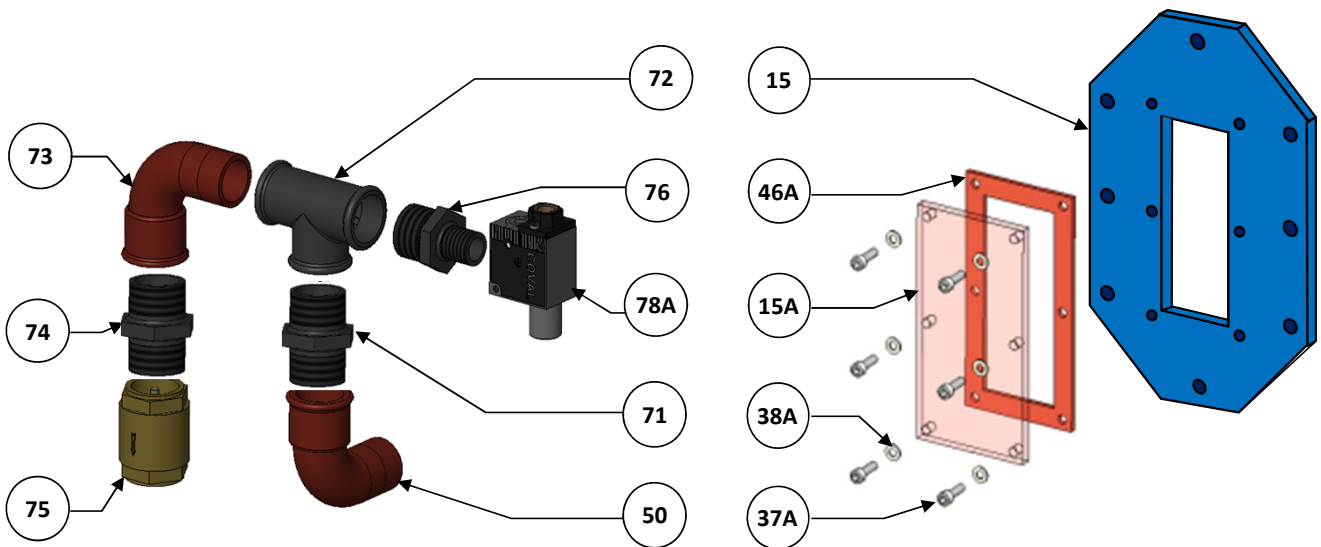
# A40



## PUNCTURE DETECTION KIT



## EJECTOR VACUUM KIT



Elbow 50 : on the pump

# A40

\* 1, 2, 4... : Quantity in equipment - (1), (2), (4)... : Quantity in kit

Item	Available	Description	Qty*	Ref.	Maintenance kit	Wear part
2	◆	COVER	1	220193		
3	◆	WHEEL	1	218864		
6	◆	BOOT - EPDM	2	217069		
7	◆	HOSE CLAMP	2	217050		
8	◆	HOSE CLAMP	2	218830		
9	◆	HOSE CLAMP	2	217086		
10	◆	COVER SEAL - FKM	1	220201		●
12	◆	INSERT STAINLESS STEEL	2	217310		
12	◆	INSERT PPH	2	217311		
12	◆	INSERT PVDF	2	217312		
15	◆	WINDOW	1	220209		
16	◆	HOSE EPDM	1	218729	■	●
16	◆	HOSE NBR	1	229380	■	●
16	◆	HOSE NR	1	218727	■	●
18	◆	BRACKET	4	219096		
19	◆	EXPANSABLE TAPER LOCK	1	218861		
26	◆	LIP SEAL	1	220191		
27	◆	SEAL RING	1	219051		
46	◆	WINDOW SEAL EPDM	1	217395		
114	◆	SET OF SHIMS	1	312358.00		
4		REMOVABLE SHIM	(12)			
119	◆	SET OF ALUMINIUM SHOES	1	312782.00		
5		SHOE	(2)			
30		PIN	(2)			
130	◆	PUNCTURE DETECTION KIT	1	311840.00		
130	◆	PUNCTURE DETECTION KIT ATEX	1	313739.00		
50		ELBOW	(1)			
71		NIPPLE	(1)			
72		T JUNCTION	(1)			
73		ELBOW	(1)			
76		NIPPLE	(1)			
77		SLEEVE	(1)			
78		CAPACITIVE DETECTOR	(1)			
84		AMPLIFIER (WITH ATEX KIT)	(1)			
131	◆	EJECTOR VACUUM KIT FOR A40_AS40 PUMPS	1	314826.00		
15	◆	WINDOW ADAPTOR	1	226223		
15A	◆	WINDOW	1	220208		
37A		SCREW	(6)			
38A		SEAL WASHER	(6)			
46A	◆	WINDOW SEAL EPDM	1	217040		
50		ELBOW	(1)			
71		NIPPLE	(1)			
72		T JUNCTION	(1)			
73		ELBOW	(1)			
74		NIPPLE	(1)			
75		VALVE	(1)			
76		NIPPLE	(1)			
78A	◆	EJECTOR	1	217749		
1100D	◆	LUBRICANT - GLYCERIN (CAN 2,5L)	1	314829.00	■	●
1100K	◆	LUBRICANT - GLYCERIN (CAN 2L)	1	314221.00		●