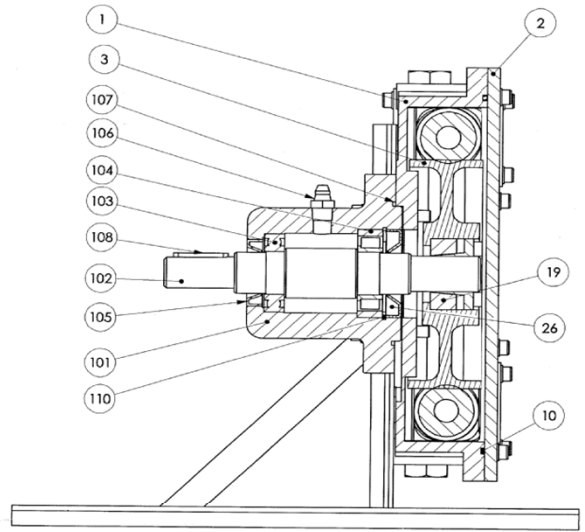
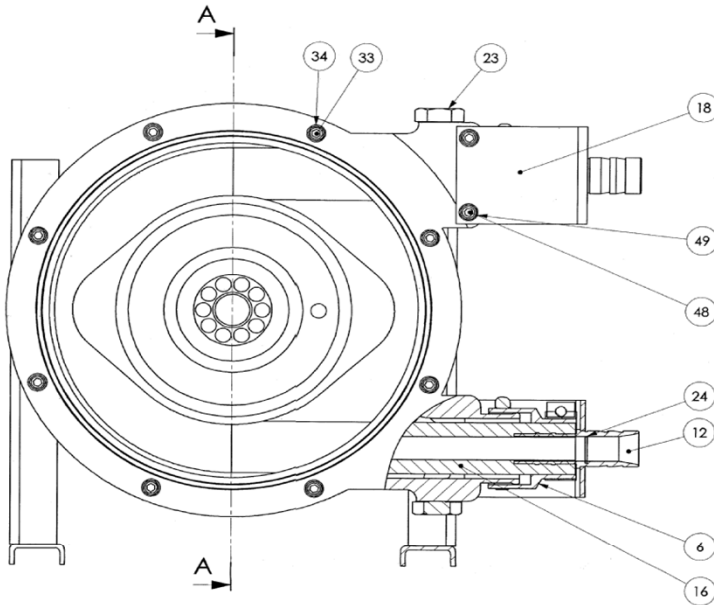
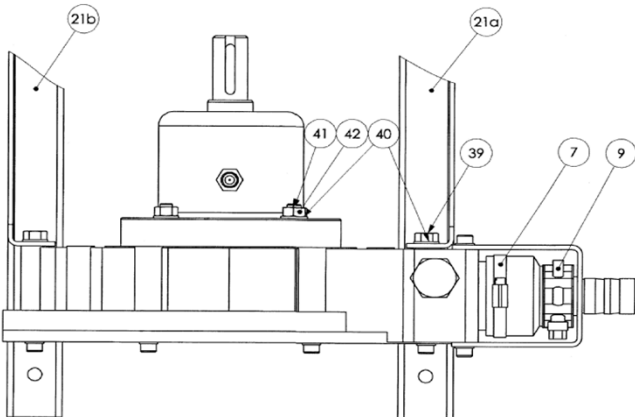


(See Instructions 1101-B00 for Installation, Operation and Maintenance)

Section	1101
Effective	November 2013
Replaces	New



A-A



Reference			Description	Qty order / (in pump)	Article code	
Ass.	Part	Available			AS15	Kit/Part
	2	▲	Cover	1	220207	
	3	▲	Wheel	1	217287	
	10	▲	Cover seal	1	220199	•
	12	▲	Insert Stainless steel	1 / (2)	217301	
	12	▲	Insert PPH	1 / (2)	217302	
	12	▲	Insert PVDF	1 / (2)	217303	
	16	▲	Hose NR	1	218938	■ •
	16	▲	Hose NBR	1	229475	■ •
	16	▲	Hose EPDM	1	218940	■ •
	18	▲	Bracket	1 / (2)	217131	
	19	▲	Expansable taper lock	1	217778	
	26	▲	Shaft seal	1	220227	
			Lubricant volume in the pump : 0,5 liter			
	1100A	▲	Lubricant - Glycerin (can 0,5 liter)	1	314828.00	■
	1100B	▲	Lubricant - Glycerin (can 1 liter)	1	314220.00	■

(◆) Sets of parts or (▲) parts available to order.

■ Kit/Part for maintenance • Wear parts

Reference			Description	Qty order / (in pump)	Article code	Kit/Part
Ass.	Part	Available			AS15	
117		◆	Bearing box	1	312823.00	
		101	Bearing box	(1)		
		102	Pump Shaft	(1)		
		103	Bearing	(1)		
		104	Bearing	(1)		
		105	Seal	(1)		
		106	Grease nipple	(1)		
		107	Seal	(1)		
		108	Key	(1)		
		110	Circlip	(1)		
118		◆	Boot + Hose clamp	1	312818.00	
		6	Nipple	(2)		
		7	Hose clamp	(2)		
	9	Hose clamp	(2)			
130		◆	Puncture detection kit	1	312146.00	
		71	Fitting	(1)		
		72	Tee	(1)		
		73	Elbow	(2)		
		76	Fitting	(1)		
		77	Sleeve	(1)		
		78	Capacitive detector	(1)		

(◆) Sets of parts or (▲) parts available to order.

Keep this parts lists with Installation, Operation and Maintenance Instructions.



Z.I. la Plaine des Isles - 2 rue des Caillottes F-89000 AUXERRE - FRANCE

Tel : +33 (0)3 86 49 86 30 • Fax : +33 (0)3 86 49 87 17
 contact@mouvex.com • www.mouvex.com