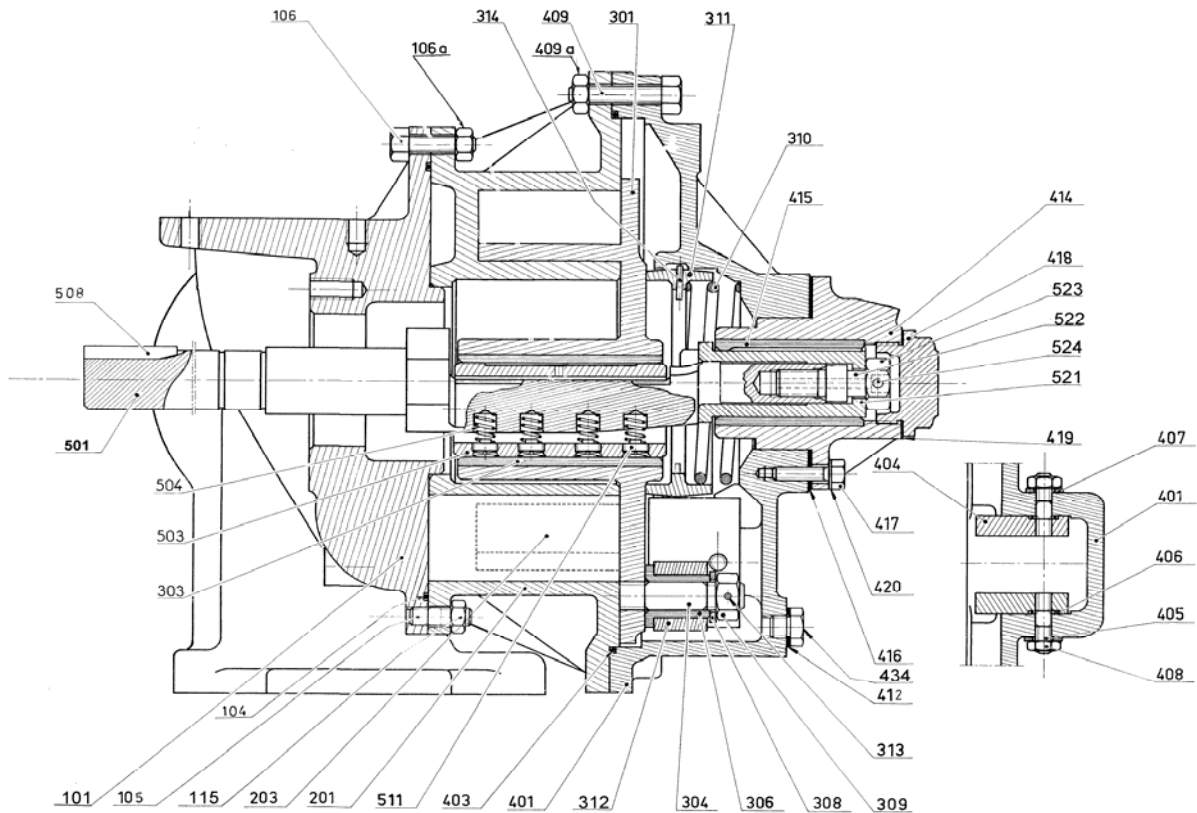


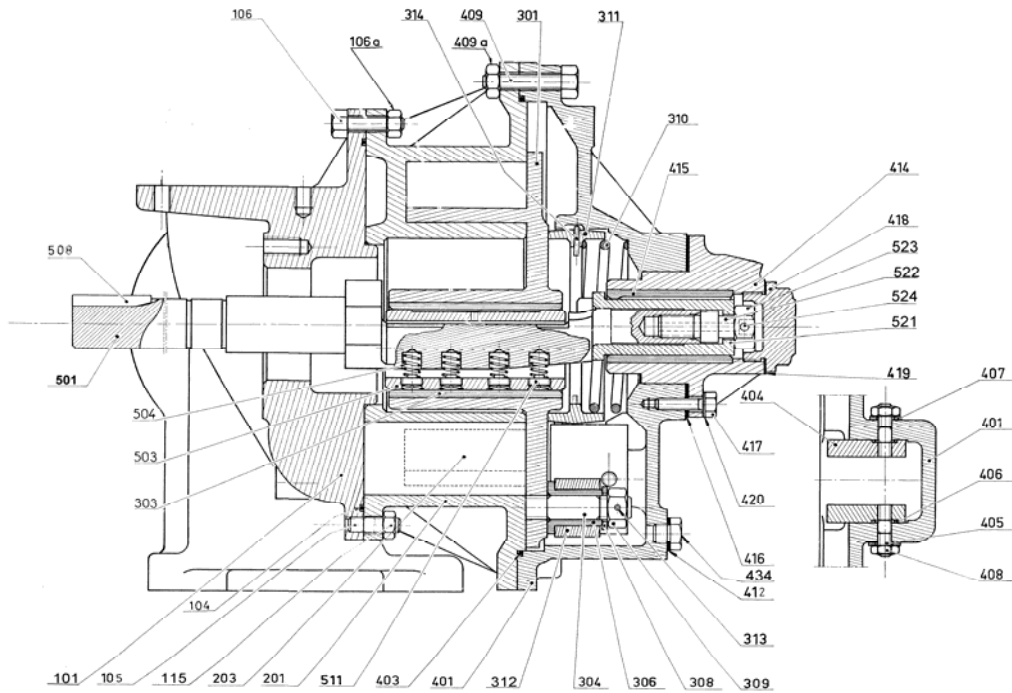
(See Instructions **1003-K00** for Installation, Operation and Maintenance)

Section Effective Replaces	1003 October 2005 July 2004
----------------------------	-----------------------------------



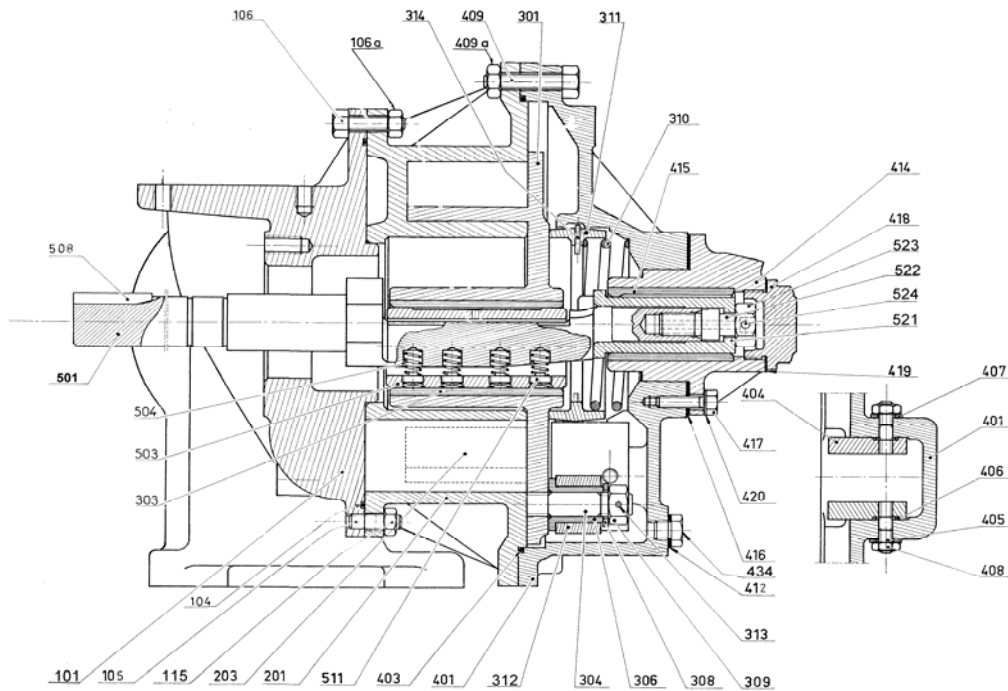
Reference			Description	Quantity		ARTICLE CODE			Wear parts
Ass.	Part	Available		Order	In Pump	AM O	AM I	AM E	
98		◆	<b>Full set of screws</b>	1		300776.00			
	105		Stud		(4)				
	106		Screw		(6)				
	106a		Nut		(6)				
	115		Nut		(4)				
	409		Screw		(12)				
	409a		Nut		(12)				
	417		Screw		(6)				
	420		Washer		(6)				
98		◆	<b>Full set of screws (Heating jacket)</b>	1		300804.00			
	105		Stud		(4)				
	115		Nut		(4)				
	202		Stud		(6)				
	206		Nut		(6)				
	409		Screw		(12)				
	409a		Nut		(12)				
	417		Screw		(6)				
	420		Washer		(6)				
99		◆	<b>Full set of seals - FKM</b>	1		300779.00			
99		◆	<b>Full set of seals - FKM (Heating jacket)</b>	1		305179.00			
99		◆	<b>Full set of seals - EPDM</b>	1		300781.00			
	104		Gasket		(1)				
	403		Front cover seal		(1)				
	406		Seal		(2)				
	416		Gasket		(1)				
	419		Seal		(1)				
	1002		Seal		(1)				

(◆) Sets of parts or (▲) parts available to order



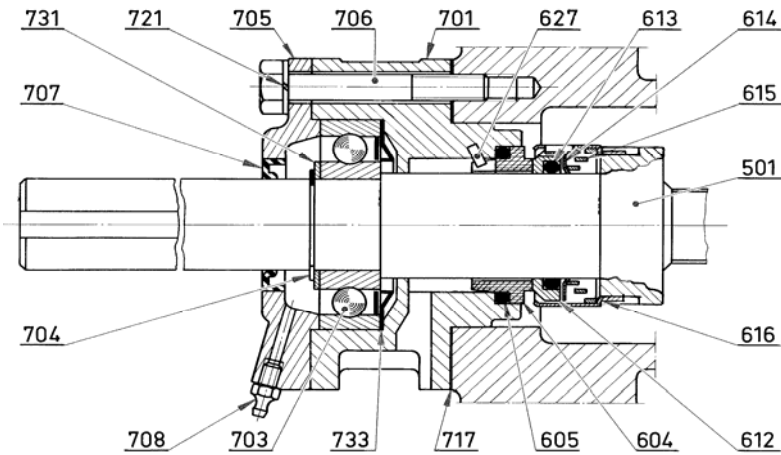
Reference			Description	Quantity		ARTICLE CODE			Wear parts
Ass.	Part	Available		Order	In Pump	AM O	AM I	AM E	
100		◆	<b>Main body, complete</b>	1		300768.00	300788.00		
	101		Main body		(1)				
	105		Stud		(4)				
	106		Screw		(6)				
	106a		Nut		(6)				
	107		Plug (only available constructions I & E)		(2)				
	108		Seal (only available constructions I & E)		(2)				
	115		Nut		(4)				
200		◆	<b>Cylinder, complete</b>	1		300769.00	300789.00	300797.00	●
	201		Cylinder		(1)				
	203	▲	Bulkhead	1		201689	201690	201691	
300		◆	<b>Complete piston - Bronze bushing</b>	1		300770.00	300798.00		●
300		◆	<b>Complete piston - Carbonbushing</b>	1		307369.00	308167.00		●
300		◆	<b>Complete piston (drilled) - Bronze bushing</b>	1		310790.00	310791.00		●
300		◆	<b>Complete piston (drilled) - Carbon bushing</b>	1		310789.00	310787.00		●
	301		Piston		(1)				
	303	▲	Piston bushing (bronze)	1			203631		●
	303	▲	Piston bushing (carbon)	1			211350		●
	315		Screw (for drilled piston)		(1)				
	398	◆	Slide block, complete	1		300771.00	300791.00		
	304		Block pin		(1)				
	308		Washer		(1)				
	309		Nut		(1)				
	307	◆	Slide block + pin + bushing	1		300879.00	300880.00		●
	306		Bushing		(1)				
	312		Slide block		(1)				
	313		Pin		(1)				
399		◆	<b>Guide block, complete</b>	1		300772.00	300792.00		
	310		Spring		(1)				
	311		Piston rear - support		(1)				
	314		Pin		(2)				

(◆) Sets of parts or (▲) parts available to order



Reference			Description	Quantity		ARTICLE CODE			Wear parts
Ass.	Part	Available		Order	In Pump	AM O	AM I	AM E	
400		◆	Complete front cover - FKM	1		300893.00	300894.00		
460		◆	Complete front cover with jacket	1		304664.00	304665.00		
400		◆	Complete front cover - EPDM	1		300891.00	300892.00		
	401		Front cover		(1)				
	461		Jacketed front cover		(1)				
	462		Jacket drain plug		(2)				
	402	◆	Front bushing set - FKM	1		300780.00		300795.00	●
	402	◆	Front bushing set - PTFE encapsulated FKM	1		300785.04		304671.00	●
	402	◆	Front bushing set - EPDM	1		300782.00		300794.00	●
	404		Guide		(2)				
	405		Stud		(2)				
	406		Seal		(2)				
	407		Washer		(2)				
	408		Nut		(2)				
	411	◆	Front cover drain plug + seal	1		300897.00		301663.00	
	412		Seal		(1)				
	434		Drain plug		(1)				
	403	▲	Front cover seal - FKM	1			200842		
	403	▲	Front cover seal - EPDM	1			200904		
413		◆	Front cover bearing complete - Bronze bushing	1		300774.00	300801.00		
413		◆	Front cover bearing complete - Carbon bushing	1		307370.00	308305.00		
	414		End-plate bearing		(1)				
	415	▲	Bearing bushing - Bronze	1			201710		●
	415	▲	Bearing bushing - Carbon	1			211349		●
	416		Gasket		(1)				
	417		Screw		(6)				
	418		Plug		(1)				
	419		Seal		(1)				
	420		Washer		(6)				
500		◆	Shaft Blocdir complete	1		312276.00	312277.00		
	501	▲	Shaft	1		219471		219472	
	503	▲	Piston bearing	1		203636		203637	●
	508	▲	Key	1			203857		
	598	◆	Bearing spring complete	1			300775.00		
	504		Spring		(4)				
	511		Screw		(4)				
	515	◆	Complete sleeve	1		300902.00	300903.00		●
	521		Sleeve		(1)				
	522		Screw		(1)				
	523		Nut		(1)				
	524		Pin		(1)				

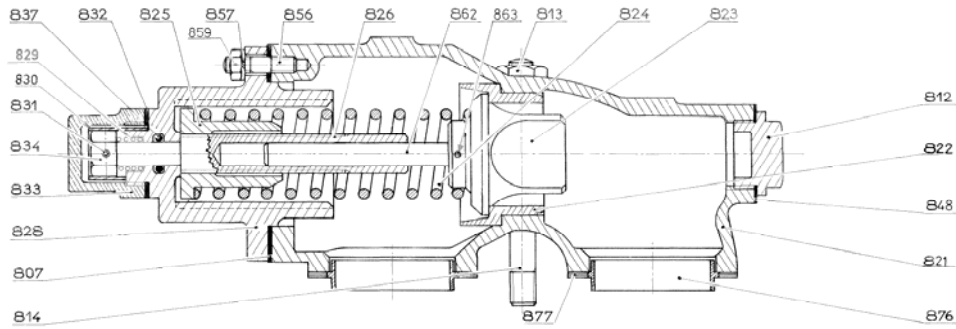
(◆) Sets of parts or (▲) parts available to order



Reference			Description	Quantity		ARTICLE CODE			Wear parts
Ass.	Part	Available		Order	In Pump	AM O	AM I	AM E	
600		◆	Mechanical seal - Blocdir C/I VT	1		300822.00	300822.00	300822.00	●
600		◆	Mechanical seal - Blocdir B/I VT	1		300835.00	300835.00	300835.00	●
600		◆	Mechanical seal - Blocdir F/I VT	1		300836.00	300836.00	-	●
600		◆	Mechanical seal - Blocdir CT/CT VT	1		303705.00	303705.00	303705.00	●
600		◆	Mechanical seal - Blocdir C/I CVT	1		307554.00	307554.00	307554.00	●
600		◆	Mechanical seal - Blocdir B/I CVT	1		306313.00	306313.00	306313.00	●
600		◆	Mechanical seal - Blocdir F/I CVT	1		306314.00	306314.00	-	●
600		◆	Mechanical seal - Blocdir CT/CT CVT	1		308266.00	308266.00	308266.00	●
	610	◆	Stationary seal face complete - Blocdir C VT	1		300908.00	300908.00	300908.00	●
	610	◆	Stationary seal face complete - Blocdir B VT	1		300912.00	300912.00	300912.00	●
	610	◆	Stationary seal face complete - Blocdir F VT	1		300913.00	300913.00	-	●
	610	◆	Stationary seal face complete - Blocdir CT VT	1		308709.00	308709.00	308709.00	●
	610	◆	Stationary seal face complete - Blocdir C CVT	1		304611.00	304611.00	304611.00	●
	610	◆	Stationary seal face complete - Blocdir B CVT	1		304612.00	304612.00	304612.00	●
	610	◆	Stationary seal face complete - Blocdir F CVT	1		304613.00	304613.00	-	●
	610	◆	Stationary seal face complete - Blocdir CT CVT	1		308268.00	308268.00	308268.00	●
	604		Stationary seal face		(1)				
	605		Seal		(1)				
	697	◆	Rotating part - Blocdir VT	1			300825.00		●
	697	◆	Rotating part - Blocdir CVT	1			304619.00		●
	697	◆	Rotating part - Blocdir CT VT	1			308710.00		●
	697	◆	Rotating part - Blocdir CT CVT	1			308269.00		●
	612		Seal housing		(1)				
	613		Seal		(1)				
	614		Spring guide		(1)				
	615		Spring		(1)				
	616		Cage		(1)				
	619		Seal mounting tool (for CVT)		(1)				
698		◆	Full set of mounting screws	1			300811.00		
	706		Screw		(6)				
	721		Washer		(6)				
699		◆	Mechanical seal gasket set - FKM	1			300826.00		
699		◆	Mechanical seal gasket set - CVT	1			305138.00		
	605		Seal		(1)				
	613		Seal		(1)				
	619		Seal mounting tool (for CVT)		(1)				
700		◆	Ball bearings complete	1		300810.00	300816.00		
	627	▲	Pin	1			200143		
	701		Bearing cage		(1)				
	703	▲	Ball bearing	1			200557		●
	705		Bearing cover		(1)				
	706		Screw		(6)				
	708		Grease nipple		(1)				
	721		Washer		(6)				
	797	◆	Ball bearing washers and gasket set	1		300905.00	300906.00		
	704		Ring		(1)				
	707		Lip seal		(1)				
	717		Cage seal		(1)				
	731		Washer		(1)				
	733		Protection circlip		(1)				

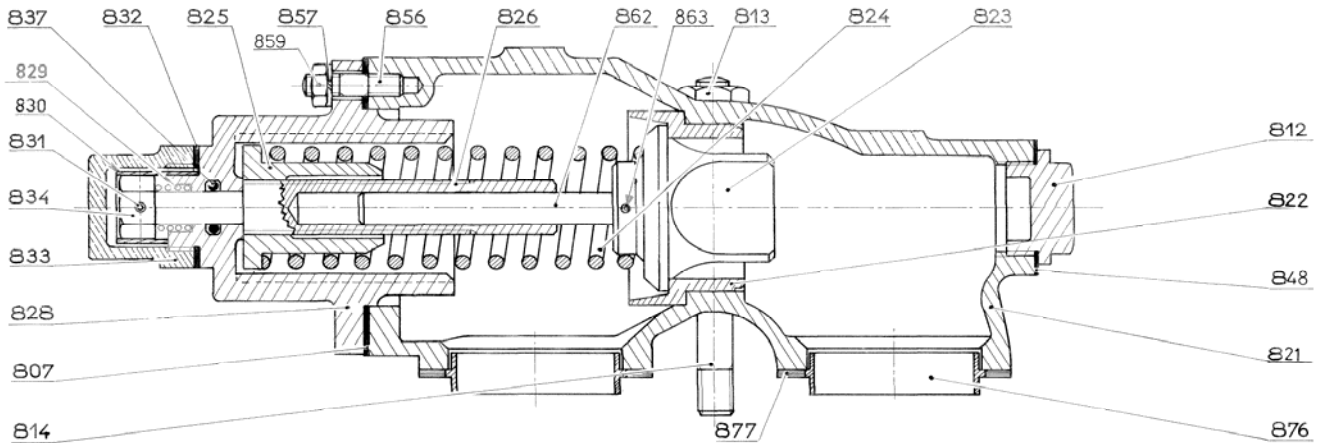
C - Carbon : F - Cast Iron : B - Bronze : CT - Tungsten Carbide : VT - FKM : CVT - PTFE encapsulated FKM

(◆) Sets of parts or (▲) parts available to order



Reference			Description	Quantity		ARTICLE CODE			Wear parts
Ass.	Part	Available		Order	In Pump	AM O	AM I	AM E	
820		◆	Bypass C/3 complete - FKM	1		306598.00	306628.00		
820		◆	Bypass C/3 complete - EPDM	1		306599.00	306629.00		
820		◆	Bypass C/4 complete - FKM	1		306601.00	306631.00		
820		◆	Bypass C/4 complete - EPDM	1		306602.00	306632.00		
	870	◆	Bypass body complete	1		300934.00	301674.00		
	812		Plug		(1)				
	821		Bypass body		(1)				
	822		Valve seat		(1)				
	848		Seal		(1)				
	856		Stud		(6)				
	857		Washer		(6)				
	859		Nut		(6)				
	871		Plug (only available in constructions I & E)		(2)				
	872		Seal (only available in constructions I & E)		(2)				
	824	▲	Spring n°3	1			201201		
	824	▲	Spring n°4	1			201202		
	869	◆	Bypass cap and gasket	1			300740.00		
	832		Seal		(1)				
	833		Cap		(1)				
	878	◆	Centering set	1			300929.00		
	876		Centering piece		(2)				
	877		Centering gasket		(2)				
	897	◆	Adjusting screw/valve set - FKM	1		306590.00	306616.00		●
	897	◆	Adjusting screw/valve set - EPDM	1		306591.00	306617.00		●
	807		Seal		(1)				
	825		Spring guide		(1)				
	826		Adjusting screw		(1)				
	828		Nut		(1)				
	829		Spring		(1)				
	830		Stopper		(1)				
	831		Pin		(1)				
	834		Adjustment nut		(1)				
	837		Seal		(1)				
	864	◆	Complete valve	1		300938.00	300939.00		
	823		Compensated valve		(1)				
	862		Valve guide rod		(1)				
	863		Valve securing pin		(1)				
	899	◆	Bypass gasket set - FKM	1			300850.00		
	899	◆	Bypass gasket set - EPDM	1			300851.00		
	807		Seal		(1)				
	829		Spring		(1)				
	831		Pin		(1)				
	832		Seal		(1)				
	837		Seal		(1)				
	846		Seal		(1)				
	848		Seal		(1)				
	877		Centering gasket		(2)				

(◆) Sets of parts or (▲) parts available to order



Reference			Description	Quantity		ARTICLE CODE			Wear parts
Ass.	Part	Available		Order	In Pump	AM O	AM I	AM E	
<b>VARIATIONS</b>									
			<b>COMPLETE COMPENSATED DOUBLE BYPASS</b>	The body is different to the standard compensated bypass. The other parts are the same but doubled					
820a		◆	Double bypass C/3 complete - FKM	1		306609.00	306639.00		
820a		◆	Double bypass C/3 complete - EPDM	1		306610.00	306640.00		
820a		◆	Double bypass C/4 complete - FKM	1		306612.00	306642.00		
820a		◆	Double bypass C/4 complete - EPDM	1		306613.00	306643.00		
	870a	◆	Double bypass body complete	1		300941.00	301675.00		
	821a		Double bypass body		(1)				
849		◆	<b>Complete stirrup</b>	1		301651.01			
	852		Stirrup		(1)				
	853		Stud or Screw		(2)				
	854		Plug		(2)				
	877a		Centering gasket		(2)				
To mount a bypass in place of a stirrup will require :									
	817	◆	Mounting kit	1		300693.00			
	813		Nut		(2)				
	814		Stud		(2)				
	815		Washer		(2)				

(◆) Sets of parts or (▲) parts available to order

Keep this parts lists with Installation, Operation and Maintenance Instructions

To order the required spare parts, indicate the appropriate CUM numbers



ZI la Plaine des Isles - 2 Rue des Caillottes 89000 AUXERRE - FRANCE

Tél. : +33 3.86.49.86.40 or +33 3 86.49.87.09 - Fax : +33 3.86.49.87.17

E-Mail : [contact@blackmer-mouvex.com](mailto:contact@blackmer-mouvex.com) Internet : [www.blackmer.com](http://www.blackmer.com)