

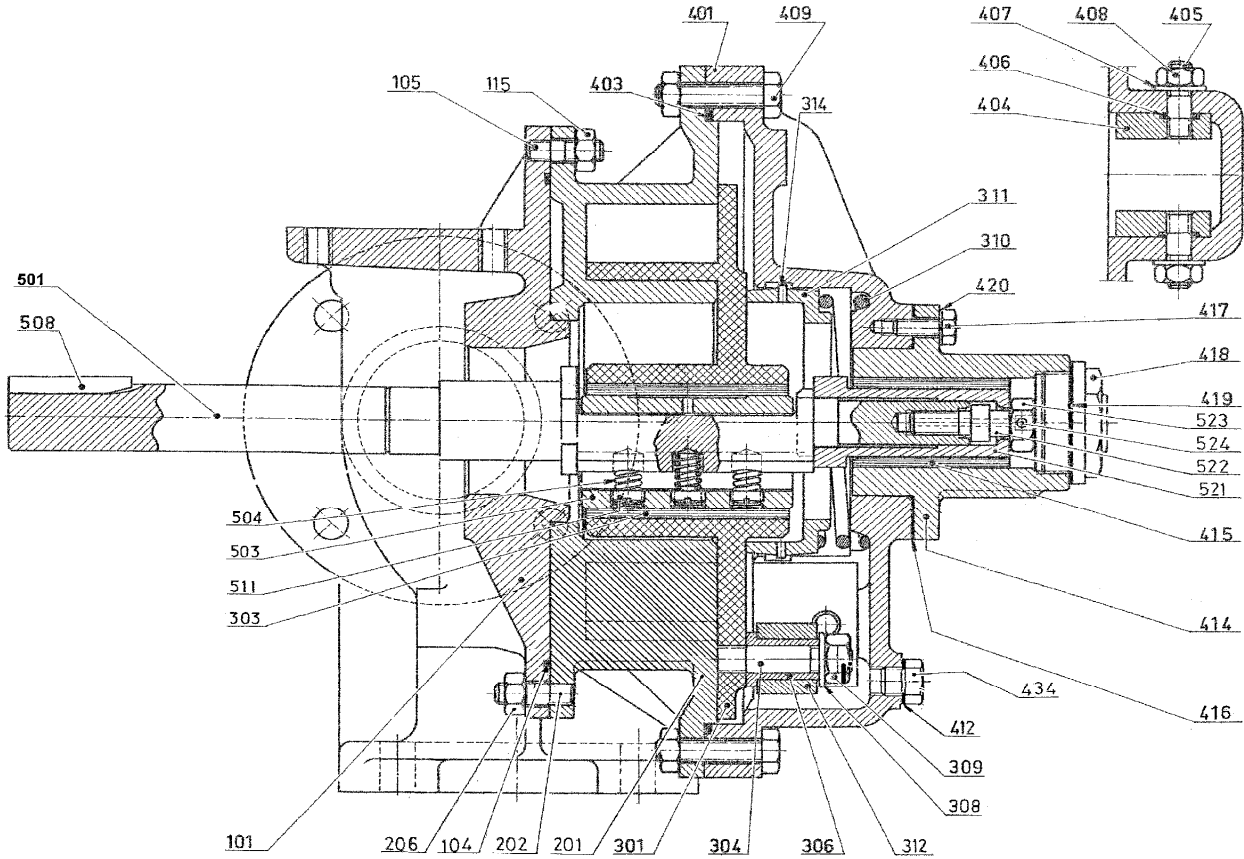
MOVEX
MODEL :

PARTS LIST
AL O

P.L. : 1003-H01

(See Instructions 1003-H00 for Installation, Operation and Maintenance)

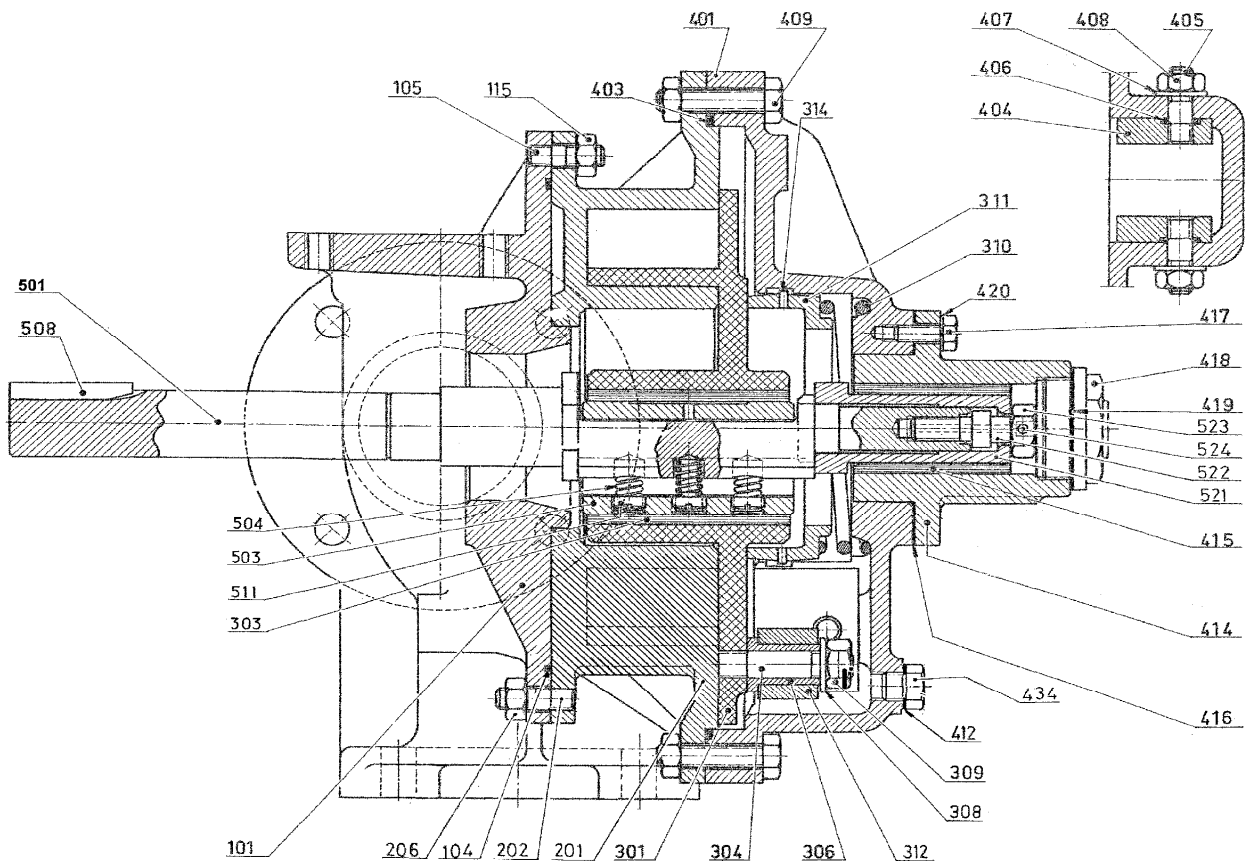
Section	1003
Effective	June 2012
Replaces	November 2011



Reference			Description	Qty order / (in pump)	Article code	Kit/Part
Ass.	Part	Available			AL O	
98		◆	Full set of screws	1	300599.00	
	105		Stud	(5)		
	115		Nut	(5)		
	202		Stud	(5)		
	206		Nut	(5)		
	409		Screw	(8)		
	409a		Nut	(8)		
	417		Screw	(4)		
	420		Washer	(4)		
99		◆	Full set of seals - FKM	1	300601.00	
99		◆	Full set of seals - FKM (Heating jacket)	1	304057.00	
	104		Gasket	(1)		
	403	▲	Front cover seal	1	200840	
	406		Seal	(2)		
	416		Gasket	(1)		
	419		Seal	(1)		
	1002		Seal	(1)		

(◆) Sets of parts or (▲) parts available to order.

■ Kit/Part for maintenance • Wear parts



Reference			Description	Qty order / (in pump)	Article code	Kit/Part
Ass.	Part	Available			AL O	
100	101	◆	Main body, complete	1	300591.00	
	105		Main body	(1)		
	115		Stud	(5)		
	817	◆	Nut	(5)		
	813		Mounting kit	1	300693.00	
	814		Nut	(2)		
	815		Stud	(2)		
200	201	◆	Cylinder, complete	1	300592.01	■ •
	202		Cylinder	(1)		
	206		Stud	(5)		
300	301	◆	Complete piston - Bronze bushing	1	300593.00	■ •
	302	◆	Complete piston - Carbon bushing	1	307653.00	■ •
	303	◆	Complete piston (drilled) - Bronze bushing	1	310780.00	■ •
	304	◆	Complete piston (drilled) - Carbon bushing	1	310784.00	■ •
	3010		Piston + Block pin	(1)		
	303	▲	Piston bushing (bronze)	1	203595	■ •
	303	▲	Piston bushing (carbon)	1	211657	■ •
	315		Screw (for drilled piston)	(1)		
	398	◆	Slide block, complete	1	300594.00	
	304		Block pin	(1)		
	308		Washer	(1)		
	309		Nut	(1)		
	307	◆	Slide block + bushing	1	300694.00	•
	306		Bushing	(1)		
312		Slide block	(1)			
399	310	◆	Guide block, complete	1	300595.00	
	311		Spring	(1)		
	311		Piston rear spring seat	(1)		
	314		Pin	(2)		

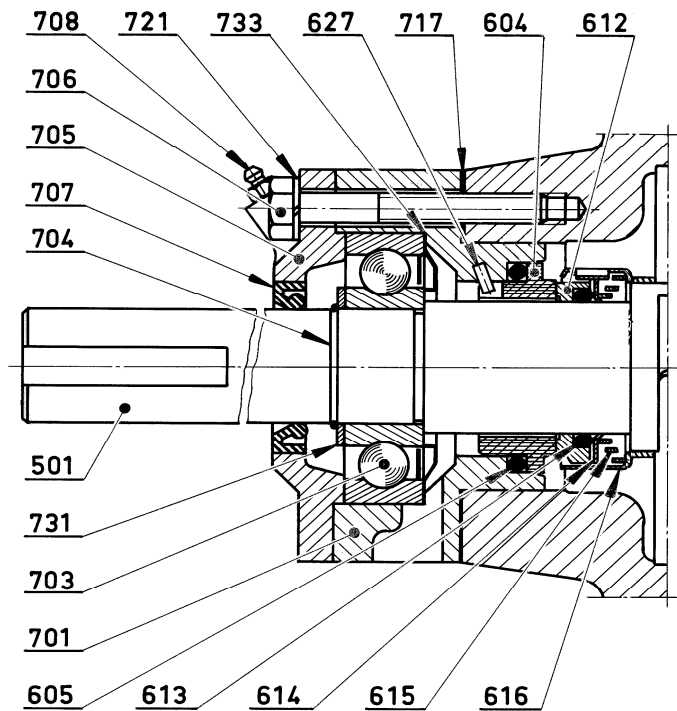
■ Kit/Part for maintenance • Wear parts

(◆) Sets of parts or (▲) parts available to order.

Reference			Description	Qty order / (in pump)	Article code	Kit/Part
Ass.	Part	Available			AL O	
400		◆	Complete front cover - FKM	1	300706.00	
460		◆	Complete front cover with jacket	1	304049.00	
	401		Front cover	(1)		
	461		Jacketed front cover	(1)		
	462		Jacket drain plug	(2)		
	402	◆	Front bushing set - FKM	1	300603.00	•
	402	◆	Front bushing set - PTFE encapsulated FKM	1	300608.04	•
	404		Guide	(2)		
	405		Stud	(2)		
	406		Seal	(2)		
	407		Washer	(2)		
	408		Nut	(2)		
	411	◆	Front cover drain plug + seal	1	300036.00	
	412		Seal	(1)		
	434		Drain plug	(1)		
	403	▲	Front cover seal - FKM	1	200840	
413		◆	Front cover bearing complete - Bronze bushing	1	300597.00	
413		◆	Front cover bearing complete - Carbon bushing	1	307654.00	
	414		Front cover bearing	(1)		
	415	▲	Bearing bushing - Bronze	1	201615	•
	415	▲	Bearing bushing - Carbon	1	211658	•
	416		Gasket	(1)		
	417		Screw	(4)		
	418		Plug	(1)		
	419		Seal	(1)		
	420		Washer	(4)		
500		◆	Shaft Blocdir complete	1	312274.00	
	501	▲	Shaft	1	219469	
	503	▲	Piston bearing	1	203600	•
	508	▲	Key	1	211035	
	598	◆	Bearing spring complete	1	300598.00	
	504		Spring	(3)		
	511		Screw	(3)		
	515	◆	Complete sleeve	1	300716.00	•
	521		Sleeve	(1)		
	522		Screw	(1)		
	523		Nut	(1)		
	524		Pin	(1)		

■ Kit/Part for maintenance • Wear parts

(◆) Sets of parts or (▲) parts available to order.



Reference			Description	Qty order / (in pump)	Article code	Kit/Part
Ass.	Part	Available			AL O	
600		◆	Mechanical seal - Bloccdir C/I VT	1	300639.00	●
600		◆	Mechanical seal - Bloccdir C/I CVT	1	307549.00	●
600		◆	Mechanical seal - Bloccdir HR VT	1	303333.00	●
600		◆	Mechanical seal - Bloccdir HR CVT	1	307550.00	●
	610		Stationary seal face complete - Bloccdir	(1)		
	604		Stationary seal face	(1)		
	605		Seal	(1)		
	697		Rotating part - Bloccdir	(1)		
	612		Seal housing	(1)		
	613		Seal	(1)		
	614		Spring guide	(1)		
	615		Spring	(1)		
	616		Cage	(1)		
	619		Seal mounting tool (for CVT)	(1)		
700		◆	Ball bearings complete	1	300631.00	
	627	▲	Pin	1	200139	
	701		Bearing cage	(1)		
	703	▲	Ball bearing	1	200555	●
	705		Bearing cover	(1)		
	706		Screw	(4)		
	708		Grease nipple	(1)		
	721		Washer	(4)		
	797	◆	Ball bearing washers and gasket set	1	300719.00	
	704		Ring	(1)		
	707		Lip seal	(1)		
	717		Cage seal	(1)		
	731		Washer	(1)		
	733		Protection circlip	(1)		

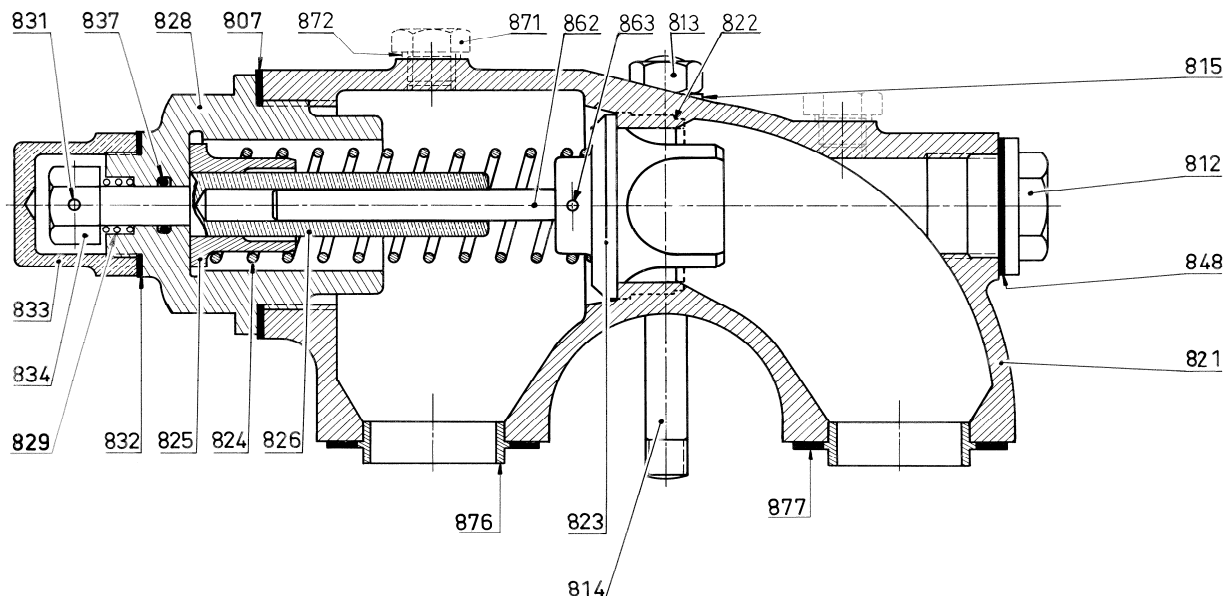
■ Kit/Part for maintenance ● Wear parts

CVT : FEP encapsulated FKM ; FDA : Food and Drug Administration (21 CFR 177 2600)

Mechanical seal :

C/I : Carbon/stainless - HR : Tungsten carbide/tungsten carbide

(◆) Sets of parts or (▲) parts available to order.



Reference			Description	Qty order / (in pump)	Article code	Kit/Part
Ass.	Part	Available			AL O	
820		◆	Bypass C/3 complete - FKM	1	306696.00	
820		◆	Bypass C/5 complete - FKM	1	306701.00	
	870	◆	Bypass body complete	1	300748.00	
	812		Plug	(1)		
	821		Bypass body	(1)		
	848		Seal	(1)		
	824	▲	Spring n°3	1	201196	
	824	▲	Spring n°5	1	206244	
	869	◆	Bypass cap and gasket	1	300740.00	
	832		Seal	(1)		
	833		Cap	(1)		
	878	◆	Centering set	1	300739.00	
	876		Centering piece	(2)		
	877		Centering gasket	(2)		
	897	◆	Adjusting screw/valve set - FKM R.3	1	306682.00	●
	897	◆	Adjusting screw/valve set - clapet FKM R.5	1	306703.00	●
	807		Seal	(1)		
	825		Spring guide	(1)		
	826		Adjusting screw	(1)		
	828		Nut	(1)		
	829		Spring	(1)		
	831		Pin	(1)		
	834		Adjustment nut	(1)		
	837		Seal	(1)		
	864	◆	Complete valve	1	302809.00	
	823		Compensated valve	(1)		
	862		Valve guide rod	(1)		
	863		Valve securing pin	(1)		
	899	◆	Bypass gasket set - FKM	1	300664.00	
	807		Seal	(1)		
	829		Spring	(1)		
	831		Pin	(1)		
	832		Seal	(1)		
	837		Seal	(1)		
	846		Seal	(1)		
	848		Seal	(1)		
	877		Centering gasket	(2)		

(◆) Sets of parts or (▲) parts available to order.

■ Kit/Part for maintenance ● Wear parts

Reference			Description	Qty order / (in pump)	Article code	Kit/Part
Ass.	Part	Available			AL O	
VARIATIONS						
			COMPLETE COMPENSATED DOUBLE BYPASS			
			The body is different to the standard compensated bypass. The other parts are the same but doubled			
820a		◆	Double bypass C/3 complete - FKM	1	306711.00	
820a		◆	Double bypass C/5 complete - FKM	1	306717.00	
	870a	◆	Double bypass body complete	1	300753.00	
	821a		Double bypass body	(1)		
849		◆	Complete stirrup	1	301649.01	
	852		Stirrup	(1)		
	853		Stud	(2)		
	854		Plug	(2)		
	855		Seal	(2)		
To mount a bypass in place of a stirrup will require :						
	817	◆	Mounting kit	1	300693.00	
	813		Nut	(2)		
	814		Stud	(2)		
	815		Washer	(2)		

■ Kit/Part for maintenance • Wear parts

(◆) Sets of parts or (▲) parts available to order.

Keep this parts lists with Installation, Operation and Maintenance Instructions.

CVT : FEP encapsulated FKM



Z.I. la Plaine des Isles - 2 rue des Caillottes F-89000 AUXERRE - France
 Tel : +33 (0)3 86 49 86 30 • Fax : +33 (0)3 86 49 87 17
 contact@mouvex.com • www.mouvex.com