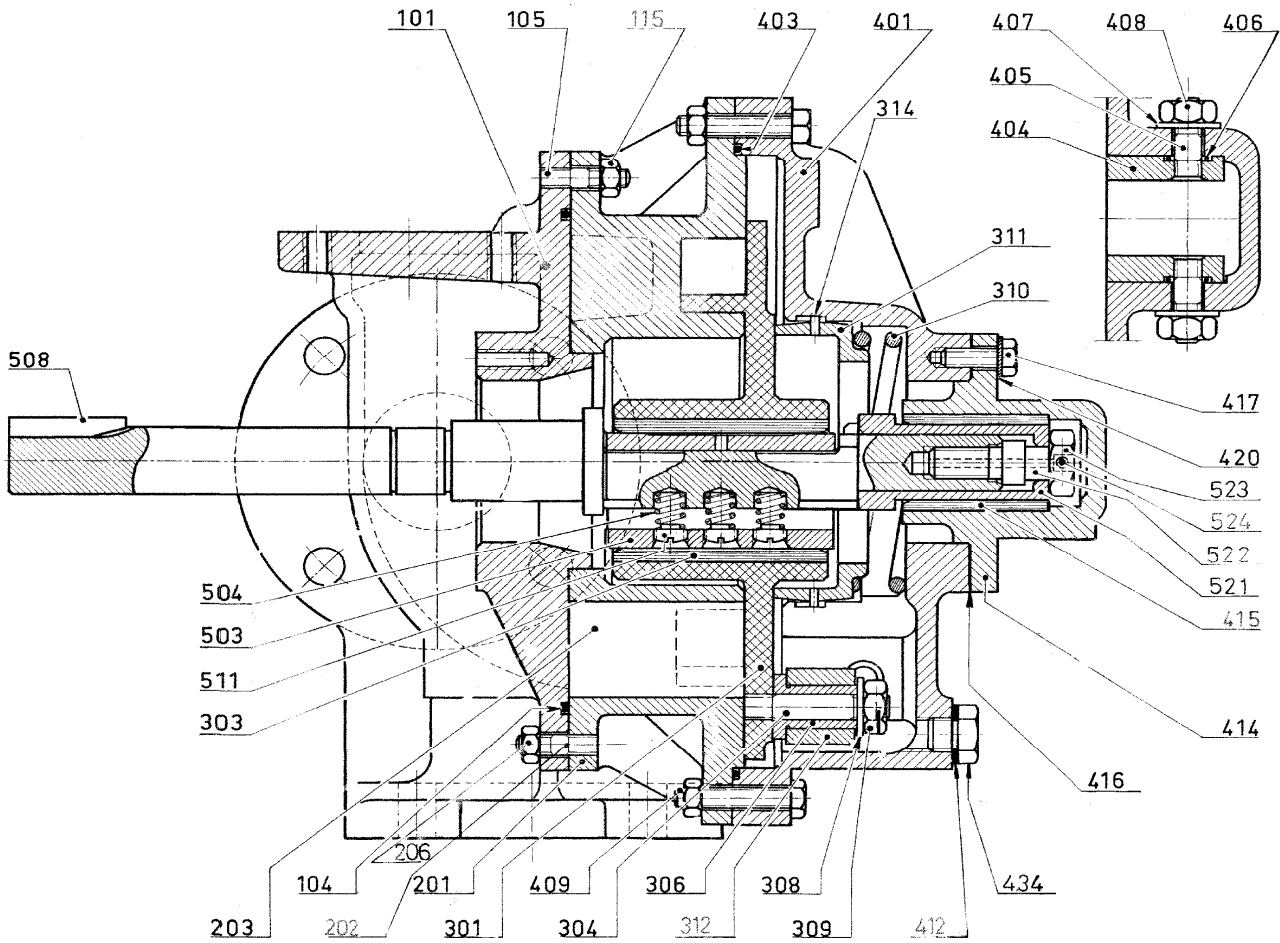


(See Instructions 1003-F00 for Installation, Operation and Maintenance)

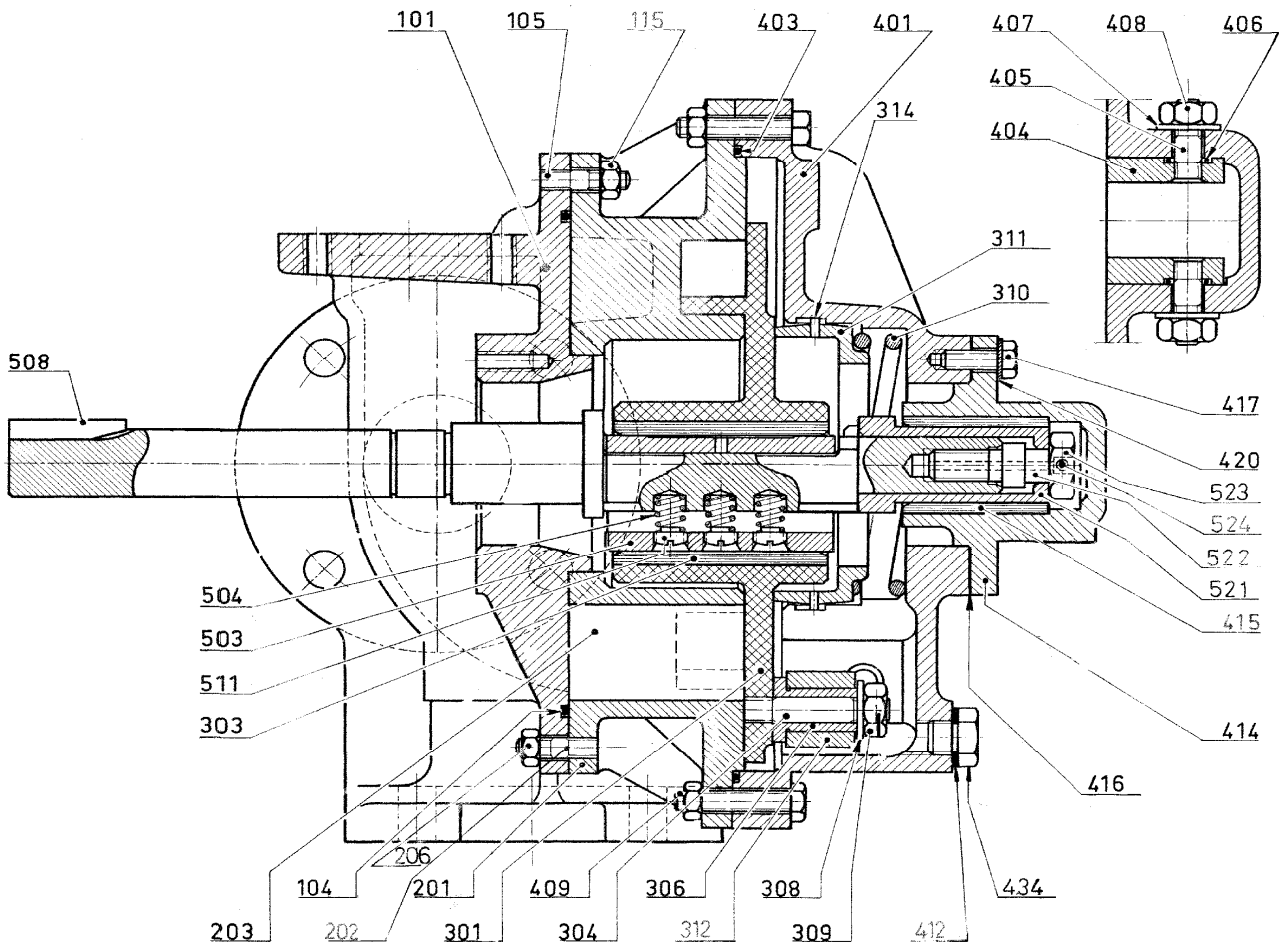
Section	1003
Effective	June 2012
Replaces	November 2011



Reference			Description	Qty order / (in pump)	Article code	
Ass.	Part	Available			AK O HP	Kit/Part
98		◆	Full set of screws	1	300017.00	
	105		Stud	(7)		
	115		Nut	(7)		
	202		Stud	(3)		
	206		Nut	(3)		
	409		Screw	(16)		
	409a		Nut	(16)		
	417		Screw	(4)		
	420		Washer	(4)		
99		◆	Full set of seals - FKM	1	300009.00	■
99		◆	Full set of seals - FKM (Heating jacket)	1	304076.01	■
	104		Gasket	(1)		
	403	▲	Front cover seal	1	200837	
	406		Seal	(2)		
	412		Seal	(1)		
	416		Gasket	(1)		
100		◆	Main body, complete	1	300000.00	
	101		Main body	(1)		
	105		Stud	(7)		
	115		Nut	(7)		
200		◆	Cylinder, complete	1	301730.00	■ •
	201		Cylinder	(1)		
	202		Stud	(3)		
	203		Bulkhead	(1)		
	206		Nut	(3)		

(◆) Sets of parts or (▲) parts available to order.

■ Kit/Part for maintenance • Wear parts



Reference			Description	Qty order / (in pump)	Article code	Kit/Part
Ass.	Part	Available			AK O HP	
300		◆	Complete piston - Bronze bushing	1	301731.00	■ ●
300		◆	Complete piston - Carbon bushing	1	307855.01	■ ●
300		◆	Complete piston (drilled) - Bronze bushing	1	311180.01	■ ●
300		◆	Complete piston (drilled) - Carbon bushing	1	311190.01	■ ●
	3010		Piston + Block pin	(1)		
	303	▲	Piston bushing (bronze)	1	219638	■ ●
	303	▲	Piston bushing (carbon)	1	211655	■ ●
	315		Screw (for drilled piston)	(1)		
	398	◆	Slide block, complete	1	300003.00	
	304		Block pin	(1)		
	308		Washer	(1)		
	309		Nut	(1)		
	307	◆	Slide block + bushing	1	300122.00	●
	306		Bushing	(1)		
	312		Slide block	(1)		
399		◆	Guide block, complete	1	300004.00	
	310		Spring	(1)		
	311		Piston rear spring seat	(1)		
	314		Pin	(2)		

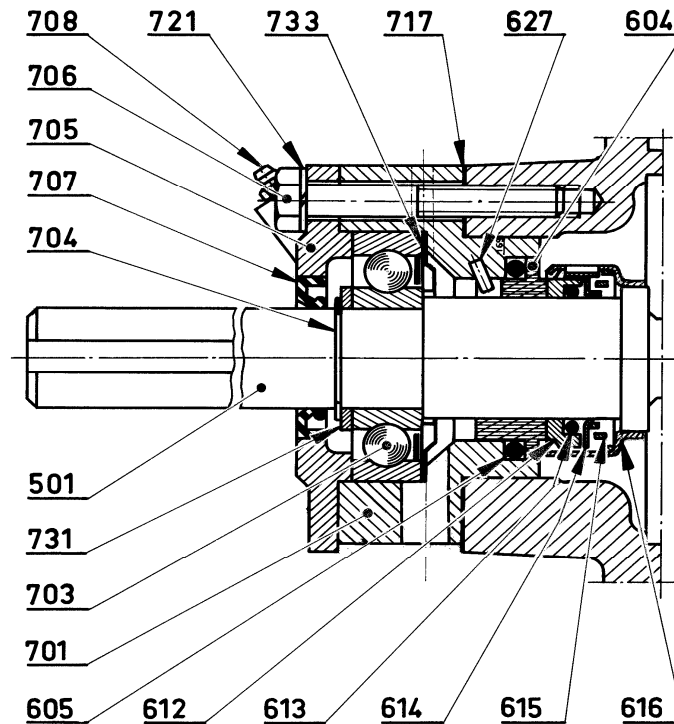
(◆) Sets of parts or (▲) parts available to order.

■ Kit/Part for maintenance ● Wear parts

Reference			Description	Qty order / (in pump)	Article code	Kit/Part
Ass.	Part	Available			AK O HP	
400		◆	Complete front cover - FKM	1	301734.00	
460		◆	Complete front cover with jacket	1	304056.01	
	401		Front cover	(1)		
	461		Jacketed front cover	(1)		
	462		Jacket drain plug	(2)		
	402	◆	Front bushing set - FKM	1	300010.00	●
	402	◆	Front bushing set - Teflon encapsulated FKM	1	300016.04	●
	404		Guide	(2)		
	405		Stud	(2)		
	406		Seal	(2)		
	407		Washer	(2)		
	408		Nut	(2)		
	411	◆	Front cover drain plug + seal	1	300036.00	
	412		Seal	(1)		
	434		Drain plug	(1)		
	403	▲	Front cover seal - FKM	1	200837	
413		◆	Front cover bearing complete - Bronze bushing	1	300006.00	
413		◆	Front cover bearing complete - Carbon bushing	1	308301.00	
	414		Front cover bearing	(1)		
	415	▲	Bearing bushing - Bronze	1	201536	■ ●
	415	▲	Bearing bushing - Carbon	1	211656	■ ●
	416		Gasket	(1)		
	417		Screw	(4)		
	420		Washer	(4)		
500		◆	Shaft Blocdir complete	1	312272.01	
	501	▲	Shaft	1	219467	
	503	▲	Piston bearing	1	203567	●
	508	▲	Key	1	203855	
	598	◆	Bearing spring complete	1	300144.00	
	504		Spring	(3)		
	511		Screw	(3)		
	515	◆	Complete sleeve	1	300145.00	●
	521		Sleeve	(1)		
	522		Screw	(1)		
	523		Nut	(1)		
	524		Pin	(1)		

■ Kit/Part for maintenance ● Wear parts

(◆) Sets of parts or (▲) parts available to order.



Reference			Description	Qty order / (in pump)	Article code	Kit/Part
Ass.	Part	Available			AK O HP	
600		◆	Mechanical seal - Bloccdir C/I VT	1	300054.00	■ ●
600		◆	Mechanical seal - Bloccdir C/I CVT	1	307539.01	■ ●
600		◆	Mechanical seal - Bloccdir HR VT	1	304290.00	■ ●
600		◆	Mechanical seal - Bloccdir HR CVT	1	308197.01	■ ●
	610		Stationary seal face complete - Bloccdir	(1)		
	604		Stationary seal face	(1)		
	605		Seal	(1)		
	697		Rotating part - Bloccdir	(1)		
	612		Seal housing	(1)		
	613		Seal	(1)		
	614		Spring guide	(1)		
	615		Spring	(1)		
	616		Cage	(1)		
	619		Seal mounting tool (for CVT)	(1)		
700		◆	Ball bearings complete	1	300042.00	
	627	▲	Pin	1	200139	
	701		Bearing cage	(1)		
	703	▲	Ball bearing	1	212312	●
	705		Bearing cover	(1)		
	706		Screw	(4)		
	708		Grease nipple	(1)		
	721		Washer	(4)		
	797	◆	Ball bearing washers and gasket set	1	300148.00	
	704		Ring	(1)		
	707		Lip seal	(1)		
	717		Cage seal	(1)		
	731		Washer	(1)		
	733		Protection circlip	(1)		

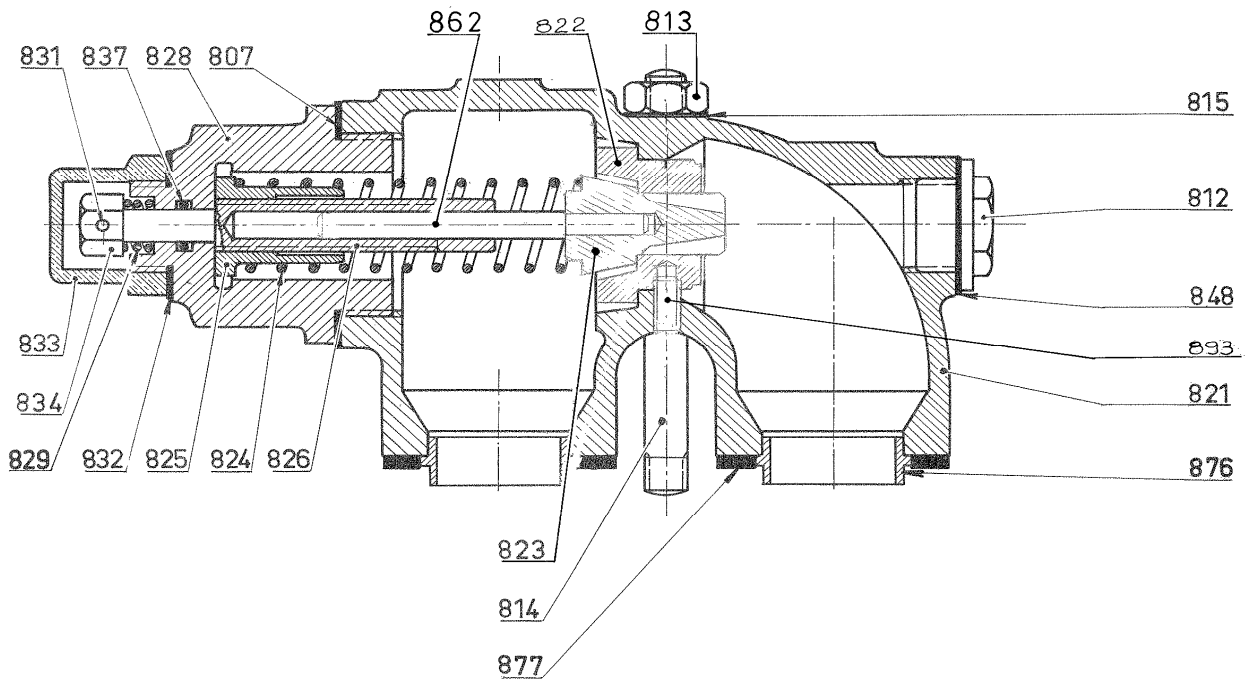
■ Kit/Part for maintenance ● Wear parts

CVT : FEP encapsulated FKM ; FDA : Food and Drug Administration (21 CFR 177 2600)

Mechanical seal :

C/I : Carbon/stainless - HR : Tungsten carbide/tungsten carbide

(◆) Sets of parts or (▲) parts available to order.



Reference			Description	Qty order / (in pump)	Article code	Kit/Part
Ass.	Part	Available			AK O HP	
820		◆	Bypass C/4 complete - FKM	1	306238.01	
	870	◆	Bypass body complete	1	301742.00	
	812		Plug	(1)		
	821		Bypass body	(1)		
	848		Seal	(1)		
	824	▲	Spring n°4	1	201183	
	869	◆	Bypass cap and gasket	1	300174.00	
	832		Seal	(1)		
	833		Cap	(1)		
	878	◆	Centering set	1	300173.00	
	876		Centering piece	(2)		
	877		Centering gasket	(2)		
	897	◆	Adjusting screw/valve set - FKM	1	306242.01	●
	807		Seal	(1)		
	825		Spring guide	(1)		
	826		Adjusting screw	(1)		
	828		Nut	(1)		
	829		Spring	(1)		
	831		Pin	(1)		
	834		Adjustment nut	(1)		
	837		Seal	(1)		
	864	▲	Valve	1	201569	
	899	◆	Bypass gasket set - FKM	1	301631.00	■
	807		Seal	(1)		
	829		Spring	(1)		
	831		Pin	(1)		
	832		Seal	(1)		
	837		Seal	(2)		
	848		Seal	(1)		
	877		Centering gasket	(2)		

(◆) Sets of parts or (▲) parts available to order.

■ Kit/Part for maintenance ● Wear parts

Reference			Description	Qty order / (in pump)	Article code	Kit/Part
Ass.	Part	Available			AK O HP	
VARIATIONS						
			COMPLETE COMPENSATED DOUBLE BYPASS	The body is different to the standard compensated bypass. The other parts are the same but doubled		
820a	870a 821a	◆ ◆	Double bypass C/4 complete - FKM Double bypass body complete Double bypass body	1 1 (1)	306240.01 301745.00	
849	852 854 855	◆	Complete stirrup Stirrup Plug Seal	1 (1) (2) (2)	301633.01	
To mount a bypass in place of a stirrup will require :						
	817 813 814 815	◆	Mounting kit Nut Stud Washer	1 (2) (2) (2)	300121.00	

■ Kit/Part for maintenance • Wear parts

(◆) Sets of parts or (▲) parts available to order.

Keep this parts lists with Installation, Operation and Maintenance Instructions.

CVT : FEP encapsulated FKM



Z.I. la Plaine des Isles - 2 rue des Caillottes F-89000 AUXERRE - FRANCE
 Tel : +33 (0)3 86 49 86 30 • Fax : +33 (0)3 86 49 87 17
 contact@mouvex.com • www.mouvex.com