



P.L. : 1002-C02

Effective  
Replaces

February 2016  
November 2014

## **PARTS LIST**

**PUMP**

**S6C HP**

Keep this parts lists with Installation, Operation and Maintenance Instructions.

To order the required spare parts, indicate the desired Reference(s).

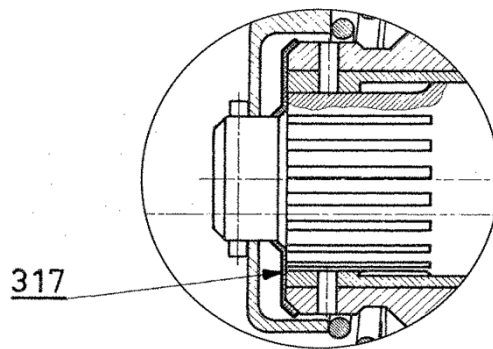
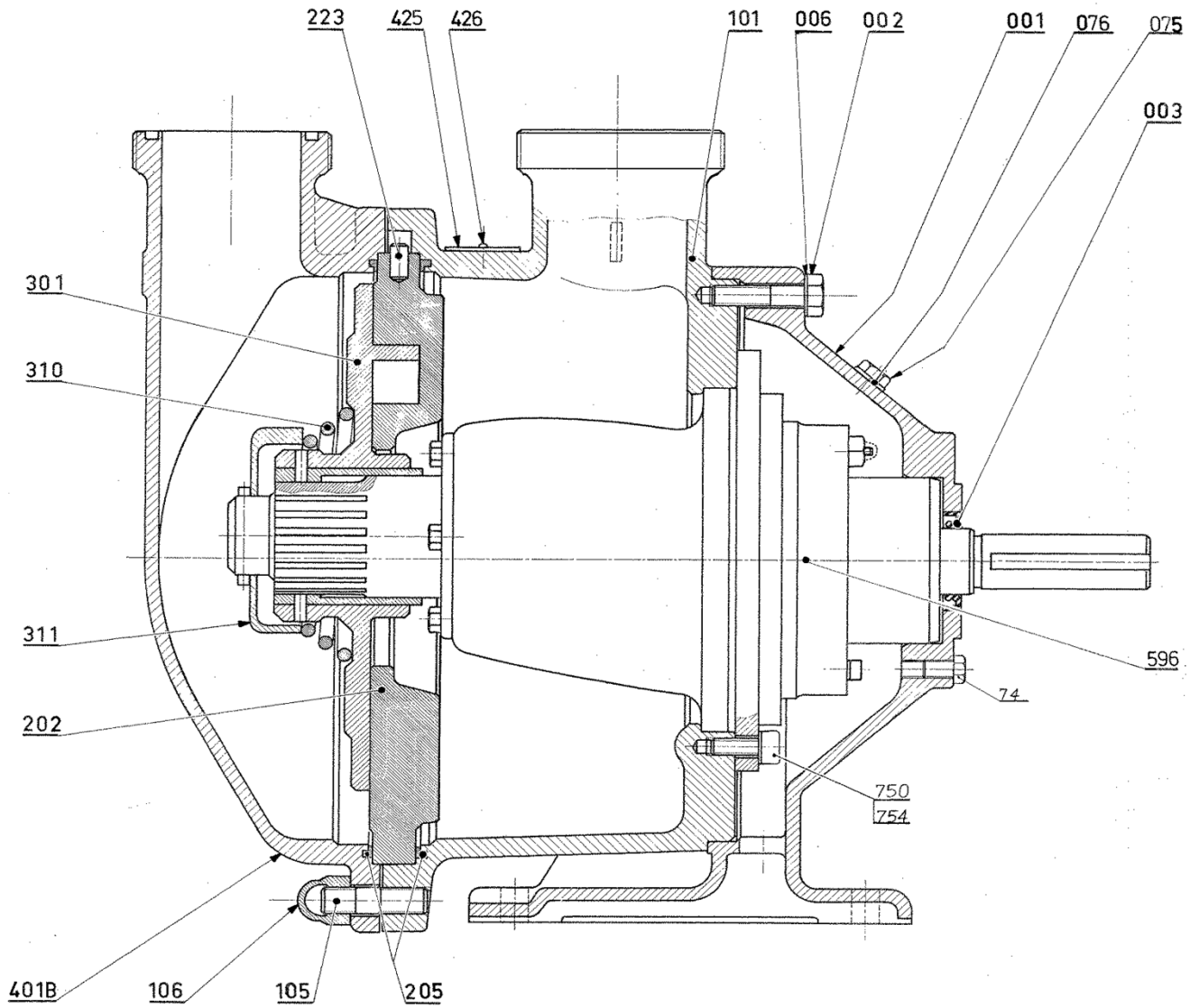
- ◆ Sets of parts or parts available to order.

Z.I. la Plaine des Isles - 2 rue des Caillottes F-89000 AUXERRE - France

Tel : +33 (0)3 86 49 86 30 • Fax : +33 (0)3 86 49 87 17

contact@mouvex.com • www.mouvex.com

# S6C HP



# S6C HP

\* 1, 2, 4... : Quantity in equipment - (1), (2), (4)... : Quantity in kit

Item	Available	Description	Qty*	Ref.	Maintenance kit	Wear part
5	◆	<b>SUPPORT FOOT PUMP COMPLETE</b>	1	301568.00		
1		SUPPORT FOOT	(1)			
2		SCREW	(4)			
3		LIP SEAL	(1)			●
6		WASHER	(4)			
74		SCREW	(4)			
75		SCREW	(1)			
76		SEAL	(1)			●
100	◆	<b>POLISH MAIN BODY - SMS 63</b>	1	309104.00		
100	◆	<b>POLISH MAIN BODY - DIN 65</b>	1	304514.00		
100	◆	<b>POLISH MAIN BODY - CLAMP ASME BPE</b>	1	316042.00		
101		MAIN BODY	(1)			
105		STUD	(8)			
106		BLIND NUT	(8)			
110	◆	<b>SET OF 8 SCREWS</b>	1	304867.00		
106		BLIND NUT	(8)			
120	◆	<b>SET GASKETS CONNECTION FKM CLAMP ASME BPE</b>	1	315665.00	■	
120	◆	<b>SET GASKETS CONNECTION FKM DIN 65</b>	1	311654.00	■	
120	◆	<b>SET GASKETS CONNECTION FKM SMS 63</b>	1	311583.00	■	
1012		SEAL	(6)			●
200B	◆	<b>SET CYLINDER_PISTON S6 HP</b>	1	313553.00	■	
201		CYLINDER	(1)			●
301		PISTON	(1)			●
206	◆	<b>SET OF CYLINDER ORINGS -FKM CE1935/2004</b>	1	304864.00	■	
205		SEAL FKM CE1935/2004	(2)			●
310	◆	<b>SPRING BACK PISTON</b>	1	201227		
310	◆	<b>STRONG SPRING BACK PISTON</b>	1	216494		
311	◆	<b>PUSHER</b>	1	206079		
317	◆	<b>SEAL FKM CE1935/2004</b>	1	230081		●
401B	◆	<b>POLISH FRONT COVER - CLAMP ASME BPE 63</b>	1	315660.00		
401B	◆	<b>POLISH FRONT COVER - DIN 65</b>	1	315654.00		
401B	◆	<b>POLISH FRONT COVER - SMS 63</b>	1	315653.00		
596	◆	<b>COMPLETE TRANSMISSION BLOCK FKM WITH DETECTION</b>	1	513910.03		●
596	◆	<b>COMPLETE TRANSMISSION BLOCK FKM WITHOUT DETECTION</b>	1	502038.03		●