

PARTS LIST
PUMPS
C12 i - C18 i

Keep this parts lists with Installation, Operation and Maintenance Instructions.

To order the required spare parts, indicate the desired Reference(s).

- ◆ Sets of parts or parts available to order.

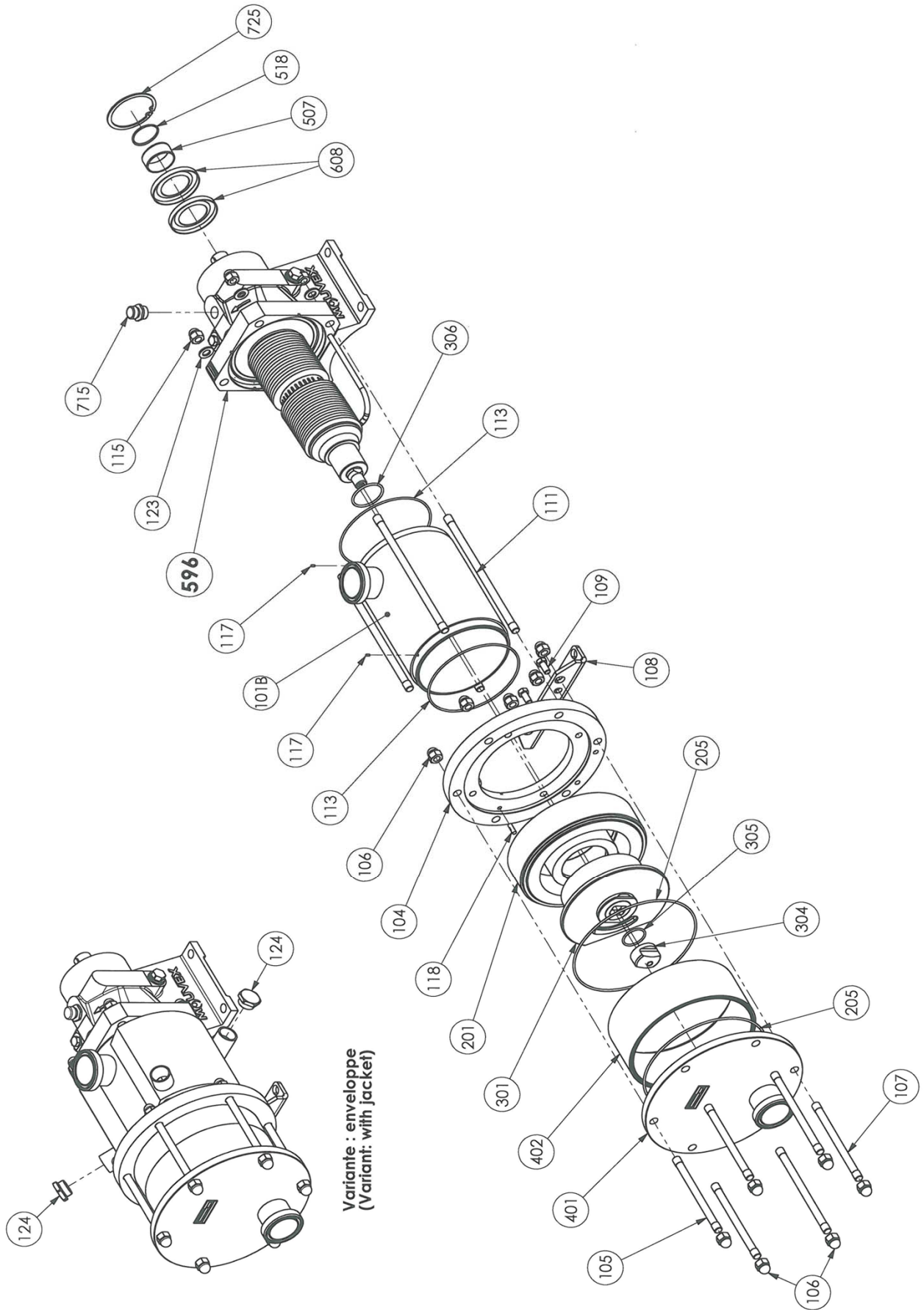
CVT : FEP encapsulated FKM ; FDA : Food and Drug Administration (21 CFR 177 2600)

Z.I. la Plaine des Isles - 2 rue des Caillottes F-89000 AUXERRE - France

Tel : +33 (0)3 86 49 86 30 • Fax : +33 (0)3 86 49 87 17

contact@mouvex.com • www.mouvex.com

C12 i - C18 i



C12 i

* 1, 2, 4... : Quantity in equipment - (1), (2), (4)... : Quantity in kit

Item	Available	Description	Qty*	Ref.	Maintenance kit	Wear part
8	◆	Plugs + breather	1	314259.01		
715		Snifter valve	(1)			●
771		Seal washer	(1)			●
772		Plug	(1)			
9	◆	Bearing gaskets _ ring set	1	312855.01		
507		Seal ring	(1)			●
518		Seal	(1)			●
608		LIP SEAL	(2)			●
725		Circlips	(1)			
100	◆	Inlet Manifold Flange ASEPTIK DIN 11864-BF-A DN65	1	313559.00		
100	◆	Jacketed Inlet Manifold Flange ASEPTIK DIN 11864-BF-A DN65	1	313572.00		
100	◆	Inlet Manifold Connection CLAMP ISO 63	1	311644.00		
100	◆	Jacketed Inlet Manifold Connection CLAMP ISO 63	1	311857.00		
100	◆	Inlet Manifold Connection DIN 65	1	311646.00		
100	◆	Jacketed Inlet Manifold Connection DIN 65	1	311858.00		
100	◆	Inlet Manifold Flange PN16 DN65	1	311582.00		
100	◆	Jacketed Inlet Manifold Flange PN16 DN65	1	311854.00		
100	◆	Inlet Manifold Flange PN20 DN65	1	311726.00		
100	◆	Jacketed Inlet Manifold Flange PN20 DN65	1	311860.00		
100	◆	Inlet Manifold Connection SMS 63	1	311581.00		
100	◆	Jacketed Inlet Manifold Connection SMS 63	1	311853.00		
100	◆	Inlet Manifold Smooth Pipes	1	311650.00		
100	◆	Jacketed Inlet Manifold Smooth Pipes	1	311856.00		
101B		Main body	(1)			
104		Main body flange	(1)			
108		Support foot	(1)			
109		Screw	(2)			
117		Pin	(2)			
118		Pin	(1)			
124		Plug	(2)			
119	◆	Set of studs and nuts	1	311580.00		
105		STUD	(4)			
106		Blind nut	(12)			
107		STUD	(2)			
111		STUD	(4)			
115		Blind nut	(4)			
123		Washer	(4)			
200	◆	Set cylinder_Piston	1	312865.04	■	
201		Complete Cylinder	(1)			●
301		Piston	(1)			●
304	◆	Piston nut	1	218053		●
206	◆	Set of CVT 'O' ring seals	1	311589.00	■	
206	◆	Set of FKM lip seals ('L' rings) FDA	1	311763.02	■	
206	◆	Set of L. PTFE seals ('L' rings)	1	311812.04	■	
206	◆	Set of FKM 'O' ring seals	1	311588.00	■	
113		Seal	(2)			●
205		Seal Ring	(2)			●
305		Seal	(1)			●
306		Seal	(1)			●

C12 i

* 1, 2, 4... : Quantity in equipment - (1), (2), (4)... : Quantity in kit

Item	Available	Description	Qty*	Ref.	Maintenance kit	Wear part
400	◆	Complete Front cover Flange ASEPTIK DIN 11864-BF-A DN65	1	313557.00		
400	◆	Complete Front Cover Connection CLAMP ISO 63	1	311637.00		
400	◆	Complete Front cover Connection DIN 65	1	311639.00		
400	◆	Complete Front cover Flange PN16 DN65	1	311591.00		
400	◆	Complete Front cover Flange PN20 DN65	1	311728.00		
400	◆	Complete Front cover Connection SMS 63	1	311590.00		
400	◆	Complete Front cover Smooth pipes	1	311643.00		
401	◆	Front cover Flange ASEPTIK DIN 11864-BF-A DN65	1	313565.00		
401	◆	Front cover Connection SMS 63	1	311467.00		
401	◆	Front cover Flange PN16 DN65	1	311523.00		
401	◆	Front cover Flange PN20 DN65	1	311722.00		
401	◆	Front Cover Connection CLAMP ISO 63	1	311621.00		
401	◆	Front cover Connection DIN 65	1	311623.00		
401	◆	Front cover Smooth pipes	1	311627.00		
402		Outlet tube	(1)			
596	◆	Complete transmission without Bellows monitoring system	1	313789.01	■	●
596	◆	Complete transmission without Bellows monitoring system - Heating jacket	1	313848.01	■	●
596	◆	Complete transmission with Pressure switch bellows monitoring system	1	313670.02	■	●
596	◆	Complete transmission with ATEX pressure switch bellows monitoring system	1	313786.01	■	●
596	◆	Complete transmission with ATEX pressure switch bellows monitoring system - Heating jacket	1	313791.02	■	●
596	◆	Complete transmission with Pressure switch bellows monitoring system - Heating jacket	1	313671.02	■	●

C18 i

* 1, 2, 4... : Quantity in equipment - (1), (2), (4)... : Quantity in kit

Item	Available	Description	Qty*	Ref.	Maintenance kit	Wear part
8	◆	Plugs + breather	1	314259.01		
715		Snifter valve	(1)			●
771		Seal washer	(1)			●
772		Plug	(1)			
9	◆	Bearing gaskets _ ring set	1	312855.01		
507		Seal ring	(1)			●
518		Seal	(1)			●
608		LIP SEAL	(2)			●
725		Circlips	(1)			
100	◆	Inlet Manifold Flange ASEPTIK DIN 11864-BF-A DN65	1	313559.00		
100	◆	Jacketed Inlet Manifold Flange ASEPTIK DIN 11864-BF-A DN65	1	313572.00		
100	◆	Inlet Manifold Connection CLAMP ISO 63	1	311644.00		
100	◆	Jacketed Inlet Manifold Connection CLAMP ISO 63	1	311857.00		
100	◆	Inlet Manifold Connection DIN 65	1	311646.00		
100	◆	Jacketed Inlet Manifold Connection DIN 65	1	311858.00		
100	◆	Inlet Manifold Flange PN16 DN65	1	311582.00		
100	◆	Jacketed Inlet Manifold Flange PN16 DN65	1	311854.00		
100	◆	Inlet Manifold Flange PN20 DN65	1	311726.00		
100	◆	Jacketed Inlet Manifold Flange PN20 DN65	1	311860.00		
100	◆	Inlet Manifold Connection SMS 63	1	311581.00		
100	◆	Jacketed Inlet Manifold Connection SMS 63	1	311853.00		
100	◆	Inlet Manifold Smooth Pipes	1	311650.00		
100	◆	Jacketed Inlet Manifold Smooth Pipes	1	311856.00		
101B		Main body	(1)			
104		Main body flange	(1)			
108		Support foot	(1)			
109		Screw	(2)			
117		Pin	(2)			
118		Pin	(1)			
124		Plug	(2)			
119	◆	Set of studs and nuts	1	311748.00		
105		STUD	(4)			
106		Blind nut	(12)			
107		STUD	(2)			
111		STUD	(4)			
115		Blind nut	(4)			
123		Washer	(4)			
200	◆	Set cylinder_Piston	1	312867.00	■	
201		Complete Cylinder	(1)			●
301		Piston	(1)			●
304	◆	Piston nut	1	218397		●
206	◆	Set of CVT 'O' ring seals	1	311589.00	■	
206	◆	Set of FKM lip seals ('L' rings) FDA	1	311763.02	■	
206	◆	Set of L. PTFE seals ('L' rings)	1	311812.04	■	
206	◆	Set of FKM 'O' ring seals	1	311588.00	■	
113		Seal	(2)			●
205		Seal Ring	(2)			●
305		Seal	(1)			●
306		Seal	(1)			●

C18 i

* 1, 2, 4... : Quantity in equipment - (1), (2), (4)... : Quantity in kit

Item	Available	Description	Qty*	Ref.	Maintenance kit	Wear part
400	◆	Complete Front cover Flange ASEPTIK DIN 11864-BF-A DN65	1	313557.00		
400	◆	Complete Front Cover Connection CLAMP ISO 63	1	311637.00		
400	◆	Complete Front cover Connection DIN 65	1	311639.00		
400	◆	Complete Front cover Flange PN16 DN65	1	311591.00		
400	◆	Complete Front cover Flange PN20 DN65	1	311728.00		
400	◆	Complete Front cover Connection SMS 63	1	311590.00		
400	◆	Complete Front cover Smooth pipes	1	311643.00		
401	◆	Front cover Flange ASEPTIK DIN 11864-BF-A DN65	1	313565.00		
401	◆	Front cover Connection SMS 63	1	311467.00		
401	◆	Front cover Flange PN16 DN65	1	311523.00		
401	◆	Front cover Flange PN20 DN65	1	311722.00		
401	◆	Front Cover Connection CLAMP ISO 63	1	311621.00		
401	◆	Front cover Connection DIN 65	1	311623.00		
401	◆	Front cover Smooth pipes	1	311627.00		
402		Outlet tube	(1)			
596	◆	Complete transmission without Bellows monitoring system	1	313789.01	■	●
596	◆	Complete transmission without Bellows monitoring system - Heating jacket	1	313848.01	■	●
596	◆	Complete transmission with Pressure switch bellows monitoring system	1	313670.02	■	●
596	◆	Complete transmission with ATEX pressure switch bellows monitoring system	1	313786.01	■	●
596	◆	Complete transmission with ATEX pressure switch bellows monitoring system - Heating jacket	1	313791.02	■	●
596	◆	Complete transmission with Pressure switch bellows monitoring system - Heating jacket	1	313671.02	■	●