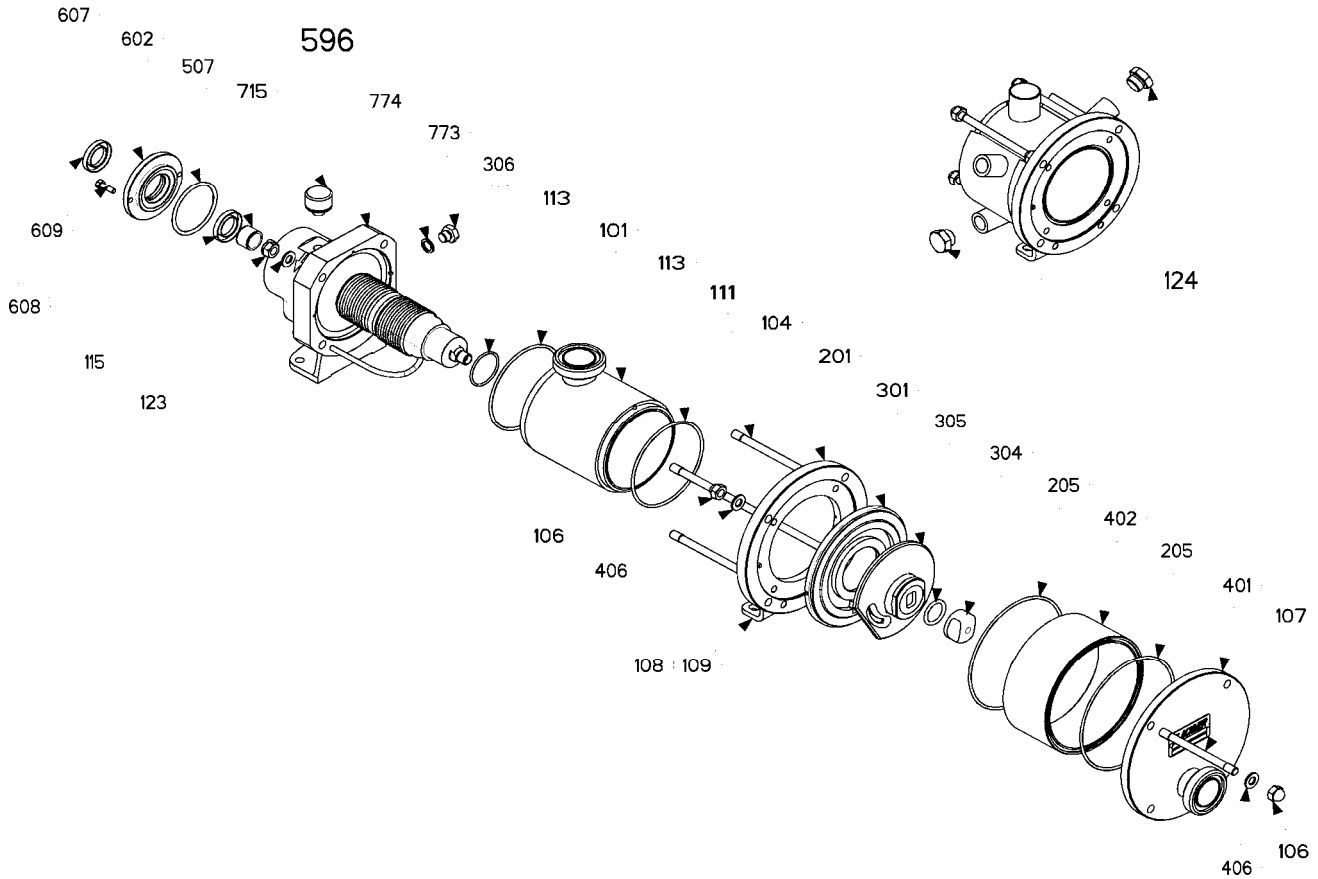


(See Instructions 1001-B00 for Installation, Operation and Maintenance)

| | |
|----------------------------|------------------------------------|
| Section Effective Replaces | 1001 March 2004 January 2004 |
|----------------------------|------------------------------------|



| Reference | | | Description | Quantity | | ARTICLE CODE | | Wear parts |
|-----------|------|-----------|---------------------------------|----------|---------|--------------|------|------------|
| Ass. | Part | Available | | Order | In Pump | C1 i | C2 i | |
| 100 | | ◆ | Inlet Manifold PN16 DN40 | 1 | | 311957.00 | | |
| 100 | | ◆ | Inlet Manifold PN20 DN40 | 1 | | 311969.00 | | |
| 100 | | ◆ | Inlet Manifold SMS 38 | 1 | | 311924.00 | | |
| 100 | | ◆ | Inlet Manifold DIN 40 | 1 | | 311966.00 | | |
| 100 | | ◆ | Inlet Manifold CHERRY BURREL 38 | 1 | | 311959.00 | | |
| 100 | | ◆ | Inlet Manifold CLAMP ISO 38 | 1 | | 311964.00 | | |
| 100 | | ◆ | Inlet Manifold IDF 38 | 1 | | 311968.00 | | |
| 100 | | ◆ | Inlet Manifold Smooth Pipes | 1 | | 311961.00 | | |
| | 101 | | Main body | | (1) | | | |
| | 104 | | Main body flange | | (1) | | | |
| | 108 | | Support foot | | (1) | | | |
| | 109 | | Screw | | (2) | | | |
| | 117 | | Pin | | (2) | | | |
| | 118 | | Pin | | (1) | | | |

(◆) Sets of parts or (▲) parts available to order

| Reference | | | Description | Quantity | | ARTICLE CODE | | Wear parts |
|-----------|------|-----------|--|----------|---------|--------------|-----------|------------|
| Ass. | Part | Available | | Order | In Pump | C1 i | C2 i | |
| 100 | | ◆ | Jacketed Inlet Manifold PN16 DN40 | 1 | | 311974.00 | | |
| 100 | | ◆ | Jacketed Inlet Manifold PN20 DN40 | 1 | | 311986.00 | | |
| 100 | | ◆ | Jacketed Inlet Manifold SMS 38 | 1 | | 311971.00 | | |
| 100 | | ◆ | Jacketed Inlet Manifold DIN 40 | 1 | | 311982.00 | | |
| 100 | | ◆ | Jacketed Inlet Manifold CHERRY BURREL 38 | 1 | | 311976.00 | | |
| 100 | | ◆ | Jacketed Inlet Manifold CLAMP ISO 38 | 1 | | 311980.00 | | |
| 100 | | ◆ | Jacketed Inlet Manifold IDF 38 | 1 | | 311984.00 | | |
| 100 | | ◆ | Jacketed Inlet Manifold Smooth Pipes | 1 | | 311978.00 | | |
| | 101 | | Main body | | (1) | | | |
| | 104 | | Main body flange | | (1) | | | |
| | 108 | | Support foot | | (1) | | | |
| | 109 | | Screw | | (2) | | | |
| | 117 | | Pin | | (2) | | | |
| | 118 | | Pin | | (1) | | | |
| | 124 | | Plug | | (2) | | | |
| 119 | | ◆ | Set of studs and nuts | 1 | | 311939.00 | | |
| | 106 | | Blind nut | | (8) | | | |
| | 107 | | Stud | | (4) | | | |
| | 111 | | Stud | | (4) | | | |
| | 115 | | Blind nut | | (4) | | | |
| | 123 | | Washer | | (4) | | | |
| | 406 | | Washer | | (12) | | | |
| 119 | | ◆ | Set of studs and nuts | 1 | | | 311937.00 | |
| | 106 | | Blind nut | | (8) | | | |
| | 107 | | Stud | | (4) | | | |
| | 111 | | Stud | | (4) | | | |
| | 115 | | Blind nut | | (4) | | | |
| | 123 | | Washer | | (4) | | | |
| 200 | | ◆ | Set cylinder/Piston | 1 | | 311940.00 | 311929.00 | ● |
| | 201 | | Cylinder | | (1) | | | |
| | 301 | | Piston | | (1) | | | |
| | 304 | ▲ | Piston nut | 1 | | 218672 | | |
| 206 | | ◆ | Set of Viton® 'O' ring seals | 1 | | 311931.00 | | ● |
| 206 | | ◆ | Set of Teflon® coated Viton® 'O' ring seals | 1 | | 312011.00 | | ● |
| 206 | | ◆ | Set of Viton® lip seals ('L' rings) FDA | 1 | | 312012.00 | | ● |
| | 113 | | Seal | | (2) | | | |
| | 205 | | Seal Ring | | (2) | | | |
| | 305 | | Seal | | (1) | | | |
| | 306 | | Seal | | (1) | | | |

(◆) Sets of parts or (▲) parts available to order

| Reference | | | Description | Quantity | | ARTICLE CODE | | Wear parts |
|-----------|------|-----------|--|----------|-------------|--------------|------|------------|
| Ass. | Part | Available | | Order | In Pump | C1 i | C2 i | |
| 400 | | ◆ | Front Cover Plate PN16 DN40 | 1 | | 312014.00 | | |
| | | ◆ | Front Cover Plate PN20 DN40 | 1 | | 311991.00 | | |
| | | ◆ | Front Cover Plate SMS 38 | 1 | | 311932.00 | | |
| | | ◆ | Front Cover Plate DIN 40 | 1 | | 311996.00 | | |
| | | ◆ | Front Cover Plate CHERRY BURREL 38 | 1 | | 312016.00 | | |
| | | ◆ | Front Cover Plate CLAMP ISO 38 | 1 | | 311998.00 | | |
| | | ◆ | Front Cover Plate IDF 38 | 1 | | 311993.00 | | |
| | | ◆ | Front Cover Plate Smooth pipes | 1 | | 312018.00 | | |
| | | 401 | | | Front cover | | (1) | |
| 402 | | | Outlet tube | | (1) | | | |
| 596 | | ◆ | Complete transmission | 1 | | 311933.02 | | |
| 596 | | ◆ | Complete transmission - Jacketed version | 1 | | 312305.02 | | |
| | 009 | ◆ | Bearing gaskets / screws | 1 | | 312368.02 | | |
| | 507 | | Ring | | (1) | | | |
| | 602 | | Gasket | | (1) | | | |
| | 608 | | Lip seal | | (2) | | | |
| | 609 | | Bearing screws | | (2) | | | |
| | 008 | ◆ | Plugs + Gasket | 1 | | 311441.00 | | |
| | 715 | | Breather | | (1) | | | |
| | 773 | | Drain plug | | (1) | | | |
| | 774 | | Copper-plated gasket | | (1) | | | |

CVT - Teflon encapsulated Viton® ; FDA : Food and Drug Administration

(◆) Sets of parts or (▲) parts available to order

Keep this parts lists with Installation, Operation and Maintenance Instructions

Viton® and Teflon® are registered trademarks of E.I. DuPont.

To order the required spare parts, indicate the appropriate CUM numbers

blackmer
PEOPLE PROVIDING FLOW TECHNOLOGY WORLDWIDE™

ZI la Plaine des Isles - 2 Rue des Caillottes 89000 AUXERRE - FRANCE

Tél. : +33 3.86.49.86.40 or +33 3 86.49.87.09 - Fax : +33 3.86.49.87.17

E-Mail : contact@blackmer-mouvex.com Internet : www.blackmer.com