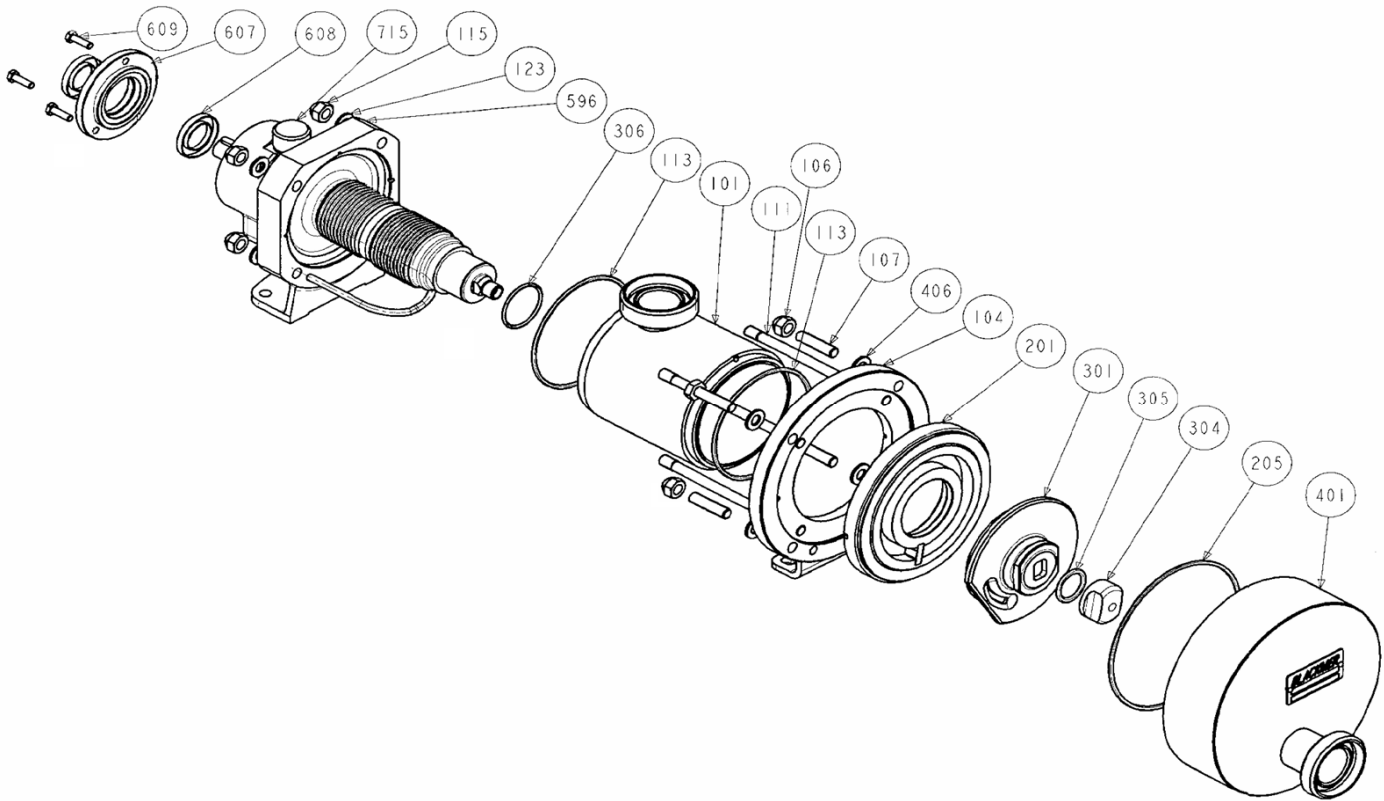


(See Instructions 1001-A00 for Installation, Operation and Maintenance)



Reference			Description	Qty order / (in pump)	Article code		Kit/Part
Ass.	Part	Available			C4 i VR	C8 i VR	
			<b>STANDARD INLET MANIFOLD :</b>				
100		◆	PN16 DN50	1	311450.00		
100		◆	PN20 DN50	1	311725.00		
100		◆	SMS 51	1	311345.00		
100		◆	DIN 50	1	311645.00		
100		◆	CLAMP ISO 51	1	311675.00		
100		◆	Smooth Pipes	1	311649.00		
100		◆	ASEPTIK DIN 11864-BF-A DN50	1	313558.00		
100		◆	CS F DN50 VR	1	313898.00		
			<b>JACKETED INLET MANIFOLD :</b>				
100		◆	PN16 DN50	1	311846.00		
100		◆	PN20 DN50	1	311852.00		
100		◆	SMS 51	1	311845.00		
100		◆	DIN 50	1	311850.00		
100		◆	CLAMP ISO 51	1	311849.00		
100		◆	Smooth Pipes	1	311848.00		
100		◆	ASEPTIK DIN 11864-BF-A DN50	1	313571.00		
100		◆	CS F DN50 VR	1	313900.00		
	101		Main body	(1)			
	104		Main body flange	(1)			
	108		Support foot	(1)			
	109		Screw	(2)			
	117		Pin	(2)			
	118		Pin	(1)			
	124		Plug (with Jacketed Inlet )	(2)			

(◆) Sets of parts or (▲) parts available to order.

■ Kit/Part for maintenance • Wear parts

Reference			Description	Qty order / (in pump)	Article code		Kit/Part
Ass.	Part	Available			C4 i VR	C8 i VR	
119		◆	<b>Set of studs and nuts</b>	1	313664.00	313663.00	
	106		Blind nut	(4)			
	107		Stud	(4)			
	111		Stud	(4)			
	115		Blind nut	(4)			
	123		Washer	(4)			
	136		Washer (C8)	(4)			
	406		Washer (C4)	(4)			
200		◆	<b>Set cylinder/Piston</b>	1	313397.00	313399.00	■ •
	201		Complete Cylinder	(1)			
	301		Piston	(1)			
	304	▲	Piston nut	1	216257	218572	
206		◆	<b>Set of FKM 'O' ring seals</b>	1	313659.00		■ •
206		◆	<b>Set of CVT 'O' ring seals</b>	1	313660.00		■ •
206		◆	<b>Set of FKM lip seals ('L' rings) FDA</b>	1	313661.02		■ •
206		◆	<b>Set of L PTFE 'O' ring seals</b>	1	313662.00		■ •
	113		Seal	(2)			
	205		Seal Ring	(1)			
	306		Seal	(1)			
	305		Seal	(1)			
400		◆	<b>FRONT COVER :</b>				
		◆	PN16 DN50	1	313576.00		
		◆	PN20 DN50	1	313577.00		
		◆	SMS 51	1	313575.00		
		◆	DIN 50	1	313480.00		
		◆	CLAMP ISO 51	1	313581.00		
		◆	Smooth Pipes	1	313580.00		
		◆	ASEPTIK DIN 11864-BF-A DN50	1	313583.00		
		◆	CS F DN50 VR	1	313902.00		
596		◆	<b>COMPLETE STANDARD TRANSMISSION :</b>				
		◆	Standard spring	1	311744.03		
		◆	Strong spring	1	313960.00		
596		◆	<b>COMPLETE JACKETED TRANSMISSION :</b>				
		◆	Standard spring	1	312306.03		
		◆	Strong spring	1	313961.00		
	9	◆	Bearing gaskets / screws	1	315271.00		
	507		Ring	(1)			
	602		Gasket	(1)			
	608		Lip seal	(2)			
	609		Bearing screws	(3)			
	8	◆	Plugs + gasket	1	311441.00		
	715		Breather	(1)			
	773		Plug	(1)			
	774		Seal	(1)			

(◆) Sets of parts or (▲) parts available to order.

■ Kit/Part for maintenance • Wear parts

Keep this parts lists with Installation, Operation and Maintenance Instructions.

CVT : FEP encapsulated FKM ; FDA : Food and Drug Administration (21 CFR 177 2600)



Z.I. la Plaine des Isles - 2 rue des Caillottes F-89000 AUXERRE - France  
 Tel : +33 (0)3 86 49 86 30 • Fax : +33 (0)3 86 49 87 17  
 contact@mouvex.com • www.mouvex.com