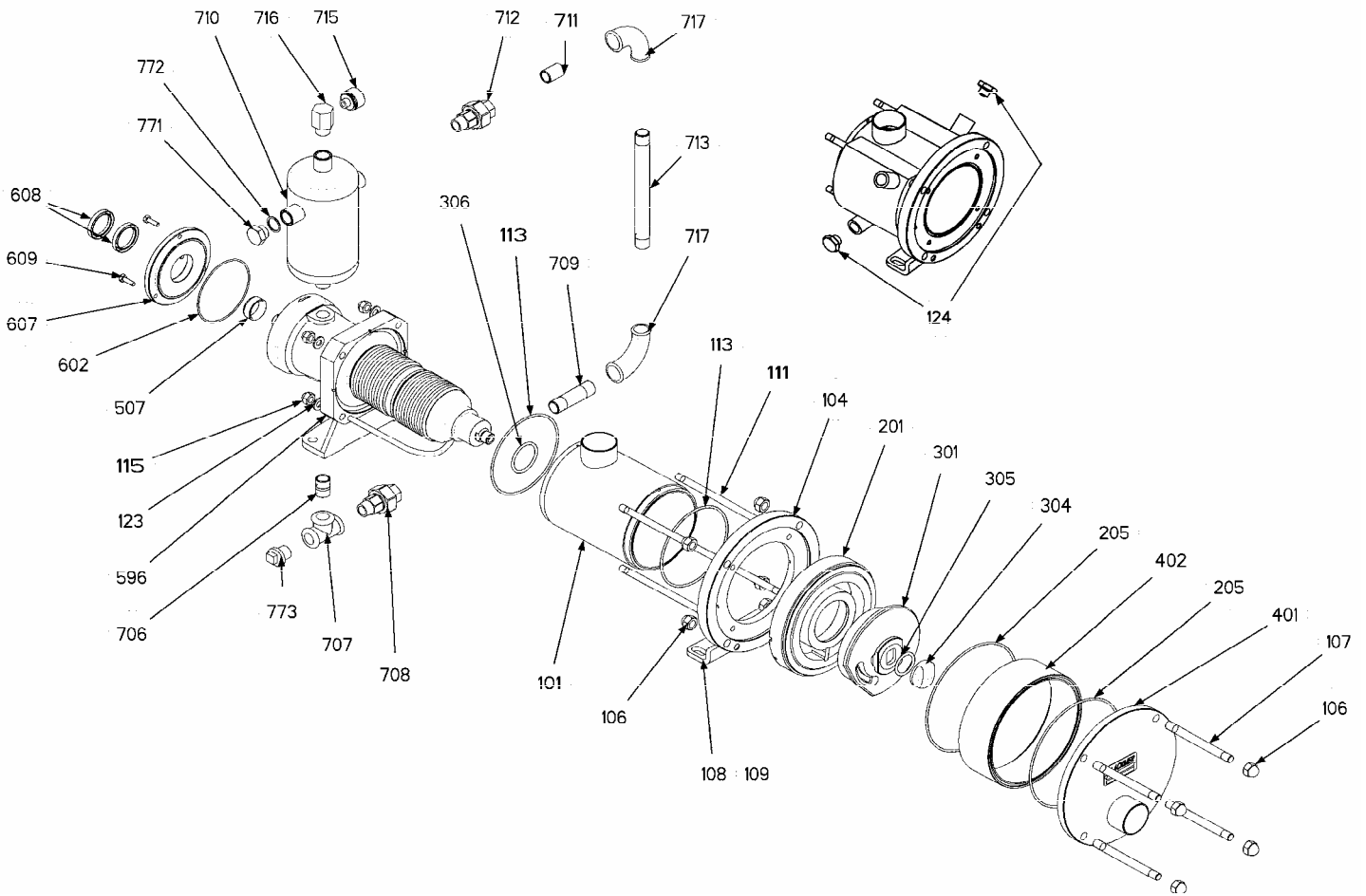


(See Instructions 1001-A00 for Installation, Operation and Maintenance)

Section	1001
Effective	October 2005
Replaces	July 2004



Reference			Description	Quantity		ARTICLE CODE		Wear parts
Ass.	Part	Available		Order	In Pump	C4 i HT	C8 i HT	
100		◆	Inlet Manifold PN16 DN50	1		311450.00		
100		◆	Inlet Manifold PN20 DN50	1		311725.00		
100		◆	Inlet Manifold Smooth Pipes	1		311649.00		
	101		Main body		(1)			
	104		Main body flange		(1)			
	108		Support foot		(1)			
	109		Screw		(2)			
	117		Pin		(2)			
	118		Pin		(1)			
100		◆	Jacketed Inlet Manifold PN16 DN50	1		311846.00		
100		◆	Jacketed Inlet Manifold PN20 DN50	1		311852.00		
100		◆	Jacketed Inlet Manifold Smooth Pipes	1		311848.00		
	101		Main body		(1)			
	104		Main body flange		(1)			
	108		Support foot		(1)			
	109		Screw		(2)			
	117		Pin		(2)			
	118		Pin		(1)			
	124		Plug		(2)			

(◆) Sets of parts or (▲) parts available to order

Reference			Description	Quantity		ARTICLE CODE		Wear parts
Ass.	Part	Available		Order	In Pump	C4 i HT	C8 i HT	
119		◆	Set of studs and nuts	1		311443.00	311878.00	
	106		Blind nut		(8)			
	107		Stud		(4)			
	111		Stud		(4)			
	115		Blind nut		(4)			
	123		Washer		(4)			
200		◆	Set cylinder/Piston	1		311346.00	311877.00	●
	201		Cylinder		(1)			
	301		Piston		(1)			
	304	▲	Piston nut	1		216257	218572	
206		◆	Set of FKM 'O' ring seals	1		311347.00		●
206		◆	Set of CVT 'O' ring seals	1		311408.00		●
206		◆	Set of FKM lip seals ('L' rings) FDA	1		311737.00		●
	113		Seal		(2)			
	205		Seal Ring		(2)			
	305		Seal		(1)			
	306		Seal		(1)			
400		◆	Front Cover Plate PN16 DN50	1		311448.00		
400		◆	Front Cover Plate PN20 DN50	1		311727.00		
400		◆	Front Cover Plate Smooth pipes	1		311642.00		
	401		Front cover		(1)			
	402		Outlet tube		(1)			
596		◆	Complete transmission	1		312029.02		
596		◆	Complete transmission - Jacketed version	1		312297.02		
	008	◆	Connection	1		312298.00		
	706		Nipple		(1)			
	707		Tee piece		(1)			
	708		Union		(1)			
	709		Nipple		(1)			
	711		Nipple		(1)			
	712		Union		(1)			
	713		Nipple		(1)			
	716		Nipple		(1)			
	717		Elbow		(2)			
	710	◆	Bearing oil reserrior	1		312296.00		
	009	◆	Bearing gaskets / screws	1		312365.00		
	507		Ring		(1)			
	602		Gasket		(1)			
	608		Lip seal		(2)			
	609		Bearing screws		(3)			
	715		Breather		(1)			
	771		Seal		(1)			
	772		Plug		(1)			
	773		Drain plug		(1)			

CVT - FEP encapsulated FKM ; FDA : Food and Drug Administration

(◆) Sets of parts or (▲) parts available to order

Keep this parts lists with Installation, Operation and Maintenance Instructions

To order the required spare parts, indicate the appropriate CUM numbers



ZI la Plaine des Isles - 2 Rue des Caillottes 89000 AUXERRE - **France** 1809 Century Avenue, Grand Rapids, Michigan 49503-1530, **U.S.A.**
Tél. : +33 3.86.49.86.40 or +33 3 86.49.87.09 - Fax : +33 3.86.49.87.17 Telephone: (616) 241-1611 / Fax: (616) 241-3752
E-Mail : contact@blackmer-mouvex.com Internet : www.blackmer.com E-Mail: blackmer@blackmer.com / Internet: www.blackmer.com