



INSTRUCTIONS 1401-C00 e

Section	1401
Effective	September 2010
Replaces	June 2005

Original instructions

B600 - MISTRAL - TYPHON II

Reversers

Ratio 1 and 1.5

INSTALLATION

OPERATION

MAINTENANCE

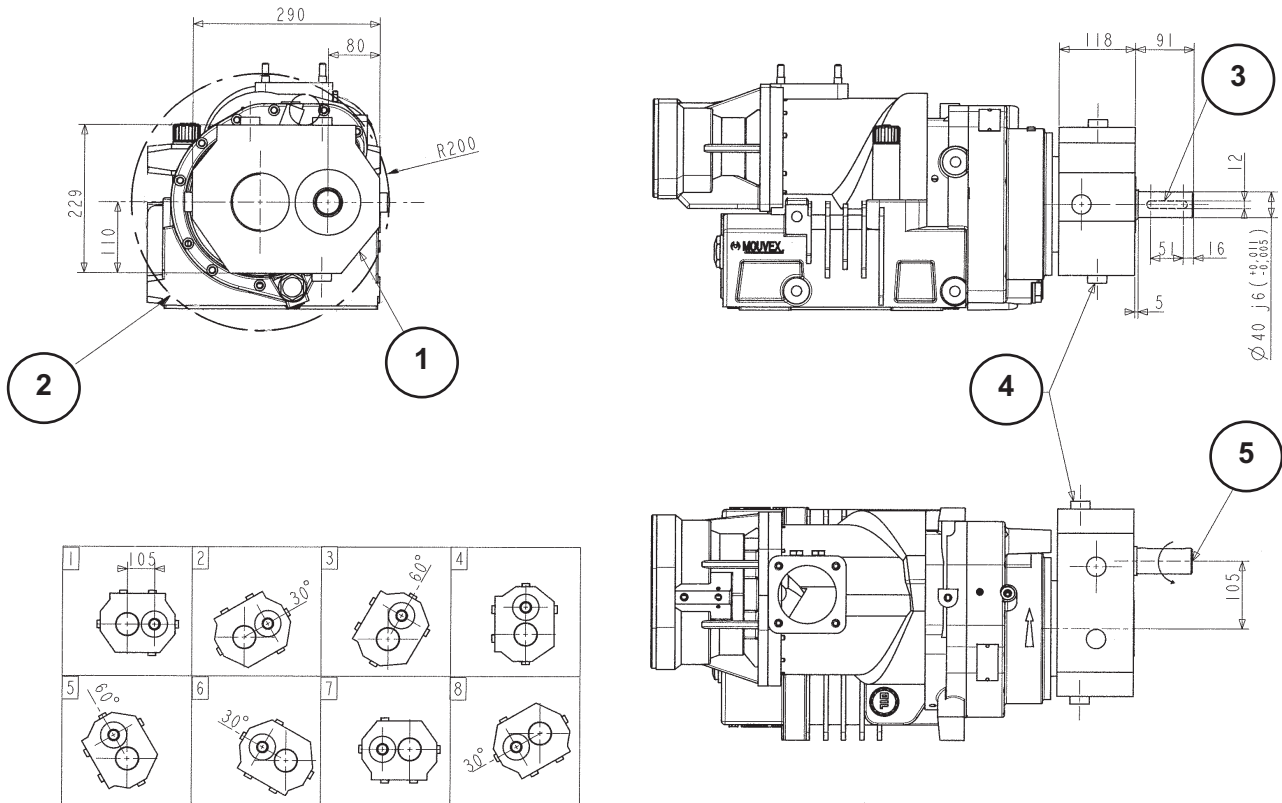
Before installing, starting or servicing the reverser, you must obey the following instructions. Our guarantee depends on your compliance with these instructions.



Z.I. La Plaine des Isles - F 89000 AUXERRE - FRANCE
Tel. : +33 (0)3.86.49.86.30 - Fax : +33 (0)3.86.49.87.17
contact@mouvex.com - www.mouvex.com

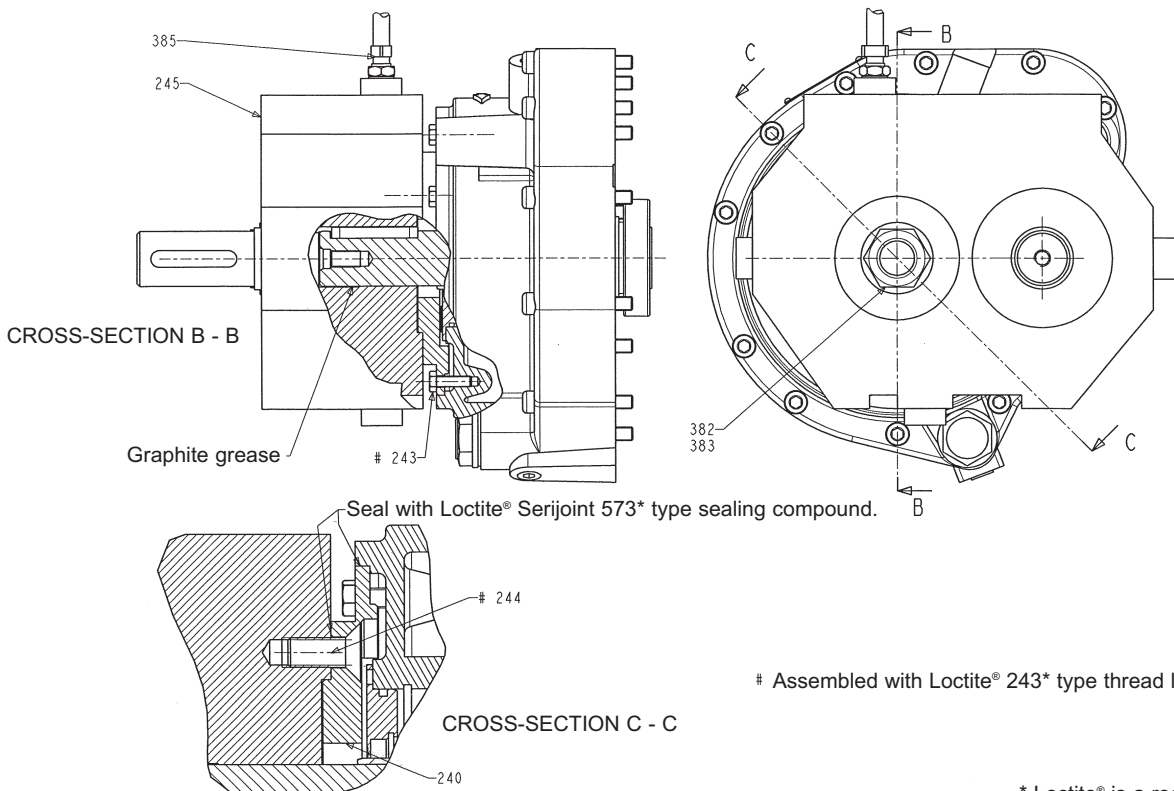
Your distributor :

1. OVERALL DIMENSIONS (mm)



- (1) The reverser can be positioned every 30° (see possible cases)
- (2) Max. space-occupied circle according to position of reverser
- (3) 12x8x63 key
- (4) Interchangeable breather and drain plugs according to position
- (5) 1 hole M12 x 30

2. INSTALLATION



* Loctite® is a registered trademark.

2. INSTALLATION (continued)

2 types of reversers are offered :

Ratio reverser	Input speed (rpm)	Rated speed compressor (rpm)
1	2000	2000
1,5	1330	2000

These enable the compressor to be driven in a counterclockwise direction (observer facing the shaft of the reverser).

2.1 Before installation

- Check that the direction of rotation of the shaft drive is clockwise (observer facing the shaft drive).
- Check that the ratio of the reverser matches the rotation speed of the shaft drive.

2.2 Installation

Define one of the 8 possible positions of the reverser shaft output so as to obtain correct positioning of the car-dan drive : see Instructions 1401-Q00 DDK BARE SHAFT END FOR TRUCK INSTALLATION - § PTO shaft drive.

- position screws **243** on centering pin **240**.

- secure centering pin **240** on the reverser using 4 screws **244**. Contact surfaces must be coated with "Loctite® SERIJOINT 573*" type sealing compound and the screws installed with "Loctite® 243*" type thread lock.
- position the key in the shaft of the compressor.
- lubricate the shaft with graphite grease.
- mount the reverser onto the shaft of the compressor while guiding it into the desired position.
- secure the reverser using screws **243**. Contact surfaces must be coated with "Loctite® SERIJOINT 573*" type sealing compound and the screws installed with "Loctite® 243*" type thread lock.
- put the gasket **383** on the stopper **382**.
- screw the stopper **382** on.

Always position the breather pipe **385** in the top part of the reverser and the drain plug in the bottom part of the reverser. This pipe must be installed on a truck on a area protected from water sprays. The end of this pipe must point downward.

2.3 Filling (through the breather plug)

Oil quantity :1,3 liter

Oil grade :MOBIL SHC 630 or equivalent

3. MAINTENANCE

- The reverser must be drained for the first time after 50 to 100 hours of operation.
- Subsequent draining shall be carried out every 300 operating hours or every year, whichever is the sooner.

4. REVERSER REMOVAL

- Loosen screws **243**.
- After safetying the reverser output shaft, unscrew plug **382**.
- Instead of the plug, screw the extractor (this extractor can be supplied on request).
- Screw the extractor and gradually loosen screws **243**.

5. STORAGE CONDITIONS

5.1 Reverser

The equipment must be systematically stored in an area sheltered from bad weather.

The equipment must bear its original protective components until it is installed in its final application.

If installation is interrupted, put back in place the original protective components or equivalent components.

5.2 Oil

In its unopened original container in a dry, frost-free and light-free place.

The maximum shelf life is approx. 60 months.

6. SCRAPPING


The reverser must be scrapped in compliance with the regulations in force.

During this operation, particular care must be paid to the drainage stages of the reverser.

* Loctite® is a registered trademark.

7. COMPRESSORS FORM INFORMATION

Before any material return, it is required to get an authorization from MOUVEX.

	COMPRESSORS FORM INFORMATION	FORM RMA / YY / NNN SAV-001-05.2010
MOUVEX After Sales Department Z.I. La Plaine des Isles 89000 AUXERRE - France	Tel : (33) 3 86 49 86 03 Fax : (33) 3 86 49 86 48	Date : Followed by : File :
In order to properly deal with the return material, please fill in this form.		
A – Name and address of user _____ Person to contact : _____ Phone Nr : _____		
B – Name and address of installator _____ Person to contact : _____ Phone Nr : _____		
C - Material's serial number _____ D - Starting up date _____ <input type="checkbox"/> Running time estimation _____		
E - Installation details	F - Operating parameters	
<input type="checkbox"/> Propshaft drive system (direct PTO drive) <input type="checkbox"/> Reversing gear <input type="checkbox"/> 1 <input type="checkbox"/> 1,5 <input type="checkbox"/> Torque limiter <input type="checkbox"/> Pressure relief valve setting (value) _____ <input type="checkbox"/> Belt drive system <input type="checkbox"/> Package air cooler <input type="checkbox"/> Package RTI <input type="checkbox"/> Other (electric, thermic or hydraulic motor) _____ _____ _____ _____	<input type="checkbox"/> Compressor's speed _____ <input type="checkbox"/> Operating pressure _____ <input type="checkbox"/> Motor speed (tachometer) at the time of the incident _____ <input type="checkbox"/> PTO ratio : _____ <input type="checkbox"/> Product transfered _____ _____ _____	
H - DESCRIPTION OF THE FAILURE		
<input type="checkbox"/> Blocking <input type="checkbox"/> Leakage <input type="checkbox"/> Noise, vibration <input type="checkbox"/> Other _____ _____ _____ _____		
I - Has the machine been replaced by a new one? If yes which is the serial number _____ J - Has the machine been replaced by a removed one? If yes which is the serial number _____		
K - Remarks and comments of the user about the problem :		
_____ _____ _____ _____		
Please send us back this completed form by fax or E mail as quick as possible.		